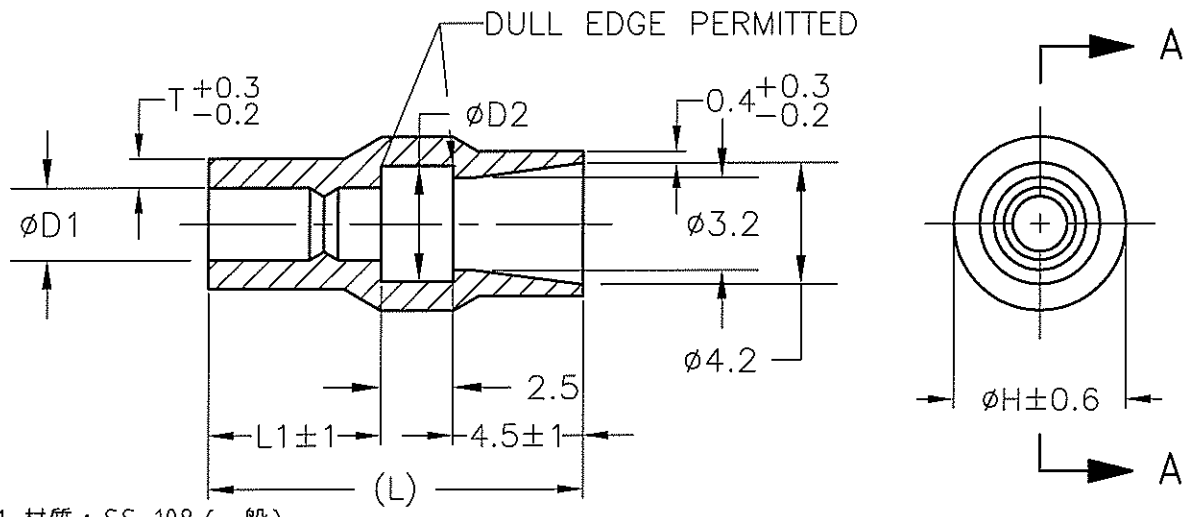


|     |      |           |     |                           |         |     |      |
|-----|------|-----------|-----|---------------------------|---------|-----|------|
| LOC | DIST | REVISIONS |     |                           | DATE    | DWN | APVD |
| J   | —    | P         | LTR | DESCRIPTION               | 22MAR11 | RK  | HMR  |
|     |      | D2        |     | REVISED PER ECO-11-005030 |         |     |      |



1. 材質：SS-108（一般）
2. 一般公差：±0.5
3. 適用製品規格は無し

A - A

△ 品川商工発行のカタログと本図で寸法が異なる場合は本図を優先する。

1. MATERIAL:SS-108(GENERAL)
  2. GENERAL TOLERANCE: ±0.5
  3. APPLICABLE PRODUCT SPEC NOT AVAILABLE
- △ IN THE EVENT OF CONFLICT BETWEEN THE REQUIREMENTS OF THIS CUSTOMER DRAWING AND THE SHINAGAWA SHOKO CO LTD CATALOG THIS CUSTOMER DRAWING SHALL TAKE PRECEDENCE

|            |            |
|------------|------------|
| X-170892-X | SEE 170892 |
| X-170893-X | SEE 170893 |
| X-170889-X | SEE 170889 |
| X-170888-X | SEE 170888 |
| X-170890-X | SEE 170890 |
| X-170891-X | SEE 170891 |
| X-170823-X | SEE 170823 |
| PN         | REMARK     |

△ OBSOLETE PARTS: OBSOLETE CIS STREAMLINING PER D.RENAUD/D.SINISI

△ OBSOLETE

|       |    |    |           |           |     |         |                    |                     |
|-------|----|----|-----------|-----------|-----|---------|--------------------|---------------------|
| CLEAR | 14 | 7  | 4.5       | 1.5       | 0.6 | 5.9     | 224215             | <del>170887-5</del> |
|       | 13 | 6  |           | 3.5       | 0.7 |         | 224235             | 170887-4            |
|       | 14 | 7  |           | 3.2       |     |         | 224232             | 170887-3            |
| BLACK | 13 | 6  | 4         | 2.5       | 5.4 | 224225B | 170887-2           |                     |
| CLEAR |    |    |           |           |     | 224225  | 170887-1           |                     |
| COLOR | L  | L1 | $\phi D2$ | $\phi D1$ | T   | H       | SHINAGAWA SHOKO PN | PN                  |

THIS DRAWING IS UNPUBLISHED.  
 ALL RIGHTS RESERVED.  
 COPYRIGHT

|  |  |                                 |  |                    |                              |                    |
|--|--|---------------------------------|--|--------------------|------------------------------|--------------------|
| DIMENSIONS:<br>単位：耗<br>MM                      |  | DWN<br>A.YAMAGUCHI<br>31 AUG 00 | WIRE RANGE<br>抱合電線断面積  |                    | INSULATION DIA<br>被覆外径       |                    |
| TOLERANCES UNLESS OTHERWISE SPECIFIED:<br>一般公差 |  | CHK<br>D.MATSUURA<br>31 AUG 00  | MATERIAL<br>材料   |                    | FINISH<br>仕上                 |                    |
| 0 PLC ± —                                      |  | APVD<br>K.BETSUI<br>31 AUG 00   |  |                    |                              |                    |
| 1 PLC ± —                                      |  | PRODUCT SPEC<br>製品規格            |  |                    |                              |                    |
| 2 PLC ± —                                      |  | APPLICATION SPEC<br>取付適用規格      | <b>CONNECT SLEEVE FOR<br/>5DIA SERIES SHUR PLUG RECEPTACLE</b> |                    |                              |                    |
| 3 PLC ± —                                      |  | WEIGHT                          |  |                    |                              |                    |
| 4 PLC ± —                                      |  | CUSTOMER DRAWING                | SIZE<br>A4   | CAGE CODE<br>00779 | DRAWING NO<br>番号<br>C-170887 | RESTRICTED TO<br>— |
| ANGLES ± —                                     |  |                                 | SCALE<br>尺度<br>4:1   | SHEET<br>1 OF 1    | REV<br>D2                    |                    |

# Mouser Electronics

Authorized Distributor

Click to View Pricing, Inventory, Delivery & Lifecycle Information:

[TE Connectivity:](#)

[170887-4](#)