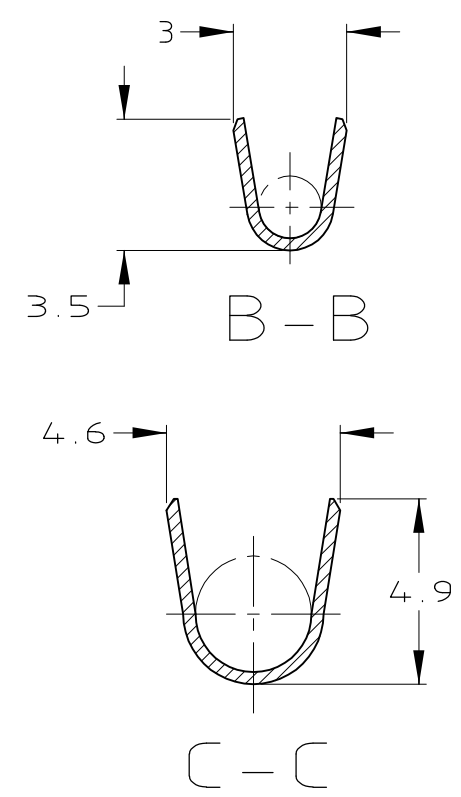
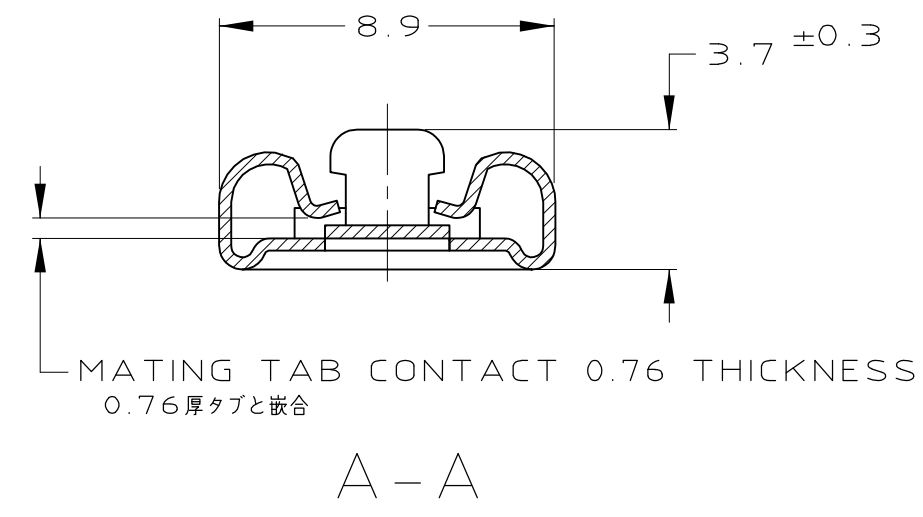
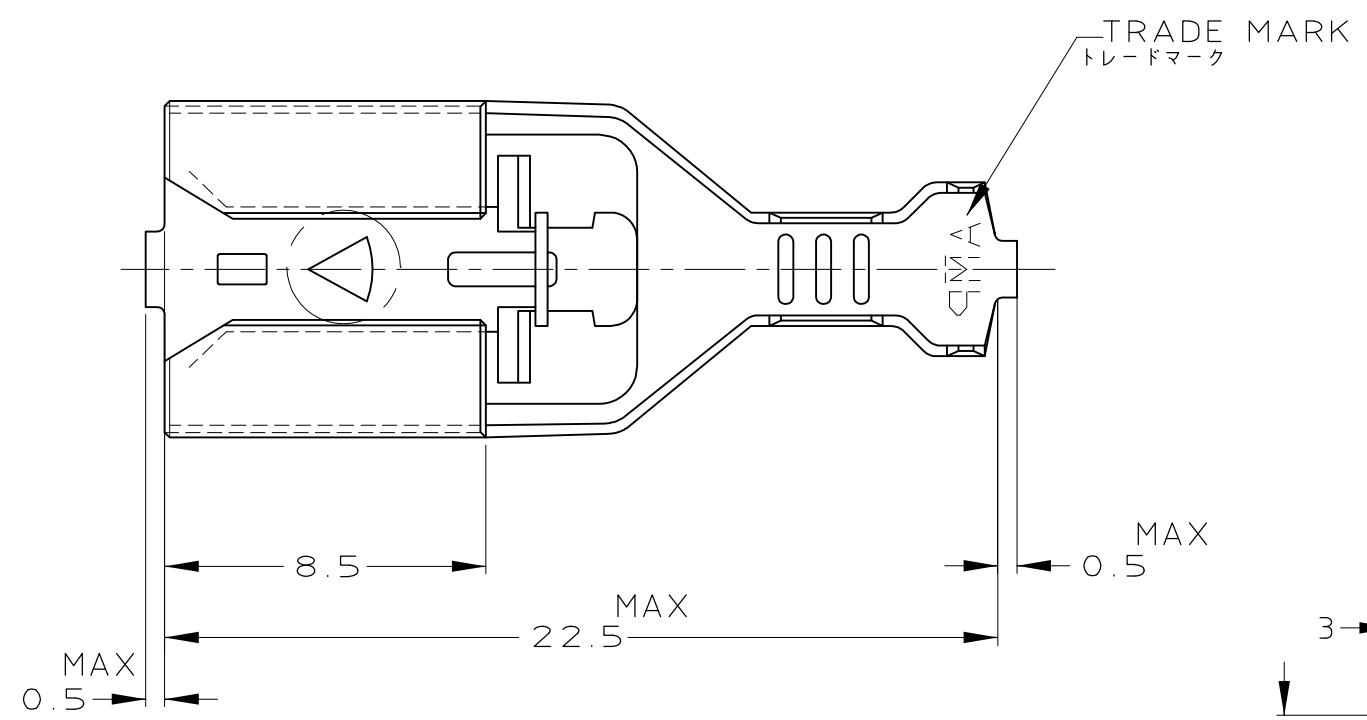


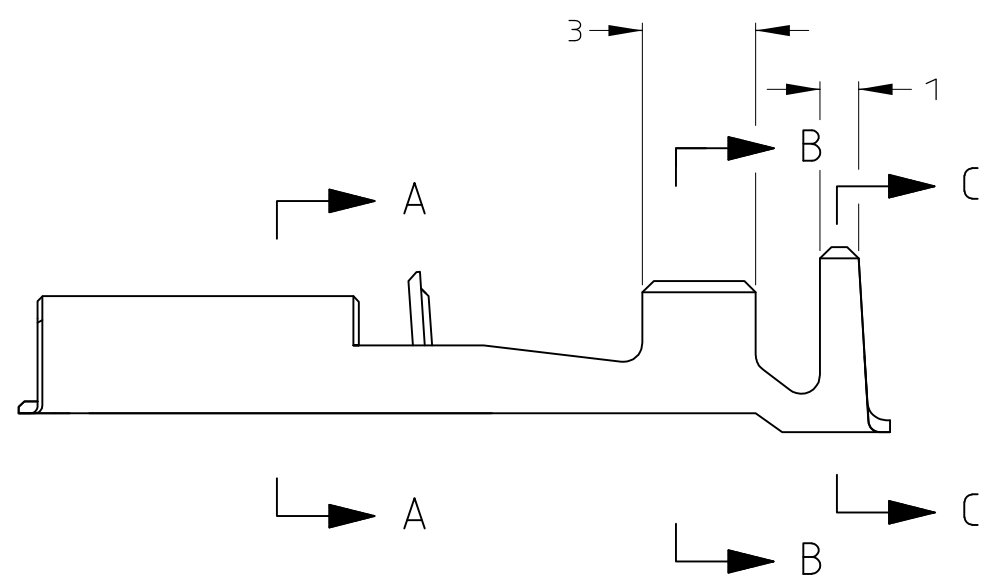
THIS DRAWING IS UNPUBLISHED. RELEASED FOR PUBLICATION .19
 © COPYRIGHT 19 BY AMP INCORPORATED. ALL RIGHTS RESERVED.

LOC	DIST	REVISIONS						
		P	LTR	DESCRIPTION	ECN	DATE	DWN	APVD
J			E1	OBSOLETE -5	FJ00-0413-00	04AUG00	TS	KB
			E2	REVISED PER	ECO-10-000443	18JAN10	KK	HMR



- 1. 適用ハウジング型番 ; 172236
- 2. 適用圧着規格 No. ; 114-5047

- 1. THE MATING PLUG HOUSING PARTS NUMBER 172236
- 2. APPLICATION SPEC No. 114-5047
- 3. OBSOLETE PARTS: OBSOLETE CIS STREAMLINING PER D.RENAUD/D.SINISI



OBSOLETE		PRE-TIN PHOSPHOR BRONZ 錫めっき付りん青銅合金0.32+	170381-5
OBSOLETE	REVERSE REEL 逆巻リール	PRE-TIN BRASS 0.32+ 錫めっき付黄銅0.32+	1-170381-1
		PRE-TIN BRASS 0.32+ 錫めっき付黄銅0.32+	170381-1
	REMARKS 備考	MATERIAL 材料	PARTS NUMBER 型番

WIRE RANGE 総合電線断面積	AV 0.5~2mm ²	INSULATION DIA 被覆外径	2.2~3.4mm
-----------------------	-------------------------	------------------------	-----------

THIS DRAWING IS A CONTROLLED DOCUMENT FOR AMP INCORPORATED. IT IS SUBJECT TO CHANGE AND THE CONTROLLING ENGINEERING ORGANIZATION SHOULD BE CONTACTED FOR THE LATEST REVISION.		DWN 30MAR98 A.YAMAGUCHI	AMP Tyco Electronics AMP K.K. Kawasaki, Japan	
DIMENSIONS: 単位 耗 : mm		CHK 31MAR98 K.BETSUI	NAME 名称 312 シリーズ ポジティブロック リセプタクル 312 SERIES POSITIVE LOCK RECEPTACLE	
TOLERANCES UNLESS OTHERWISE SPECIFIED 一般公差 ±0.4		APVD 31MAR98 K.BETSUI	PRODUCT SPEC 製品規格 108-5131	
MATERIAL 材料 SEE TABLE 表参照		FINISH 仕上	APPLICATION SPEC 取付適用規格 114-5047	RESTRICTED TO -
		WEIGHT 0.8g	SIZE A3	CAGE CODE 00779
		DRAWING NO 番号 C= 170381		SCALE 尺度 5:1
		CUSTOMER DRAWING		SHEET 1 OF 1 REV E2

Mouser Electronics

Authorized Distributor

Click to View Pricing, Inventory, Delivery & Lifecycle Information:

[TE Connectivity:](#)

[170381-1](#)