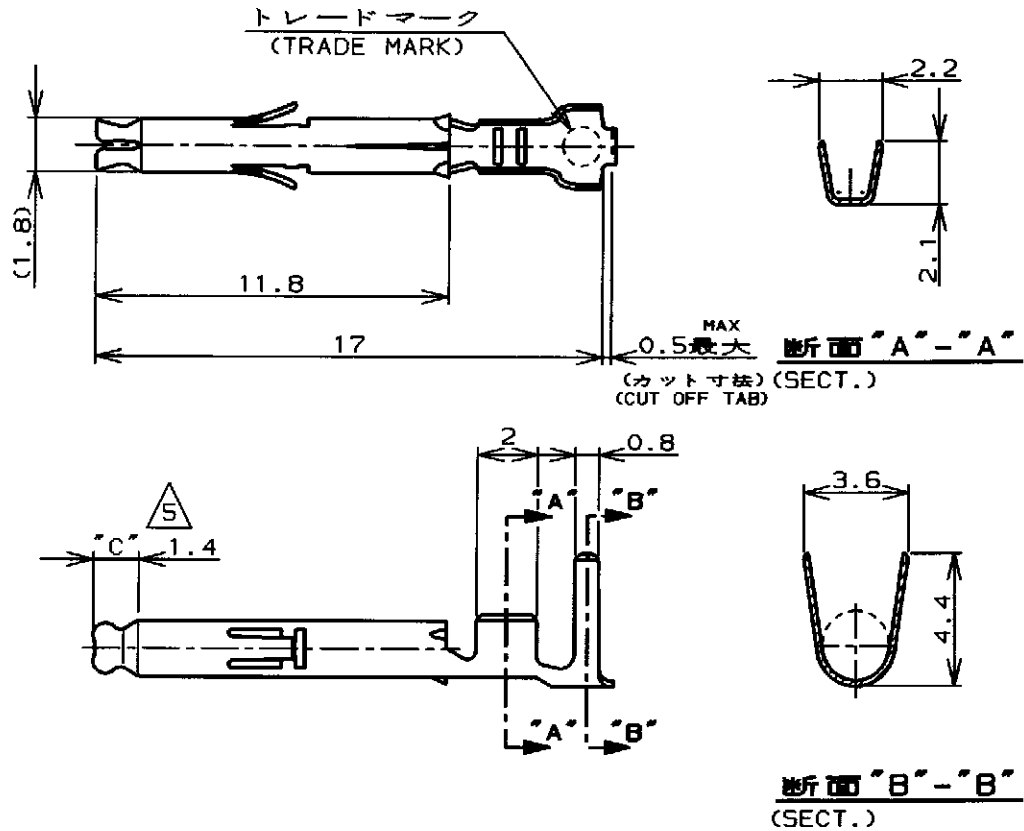


LOC	DIST	REVISIONS					
		P	LTR	DESCRIPTION	DATE	DWN	APVD
J	---		E	REVISED PER ECR-20-100815	01DEC2020	BDA	SW
			E1	REVISED PER ECR-21-102346	29APR2021	JP	VS



NOTES;

1. APPLICABLE HOUSING : CAP AND PLUG.
2. PRODUCT SPECIFICATION 108-5138
3. APPLICATION SPECIFICATION 114-5050
4. INSTRUCTION SHEET IS-105J
5. SELECTIVE GOLD PLATED AREA "C"
0.0004mm MIN THICK OVER Ni PLATE
ON INSIDE SURFACE
6. DOUBLE CRIMPING INSURATION DIA
3.4mm MAX.

	錫めつき付・燐青銅 (PRE-TIN・PHOZ BRO)	-4	-4
	金めつき・黄銅 (GOLD PLATE・BRASS) 5	-3	-3
170359, 170360 170363, 170364	錫めつき付・黄銅 (PRE-TIN・BRASS)	170362-1	170366-1
嵌合相手型番 (MATING P/N)	材料・仕上 (MATERIAL・FINISH)	連鎖状端子型番 (STRIP P/N)	型番 (P/N)

WIRE RANGE 総合電線断面積 0.30-0.89mm ² (AWG #22~#18)	INSULATION DIA 被覆外径 1.5~2.4mm
---	-------------------------------------

RELEASED FOR PUBLICATION
ALL RIGHTS RESERVED.

THIS DRAWING IS UNPUBLISHED.
COPYRIGHT

DIMENSIONS, 単位 概 mm	DWN <i>T. Yamamoto</i> 11 JUN 98
TOLERANCES UNLESS OTHERWISE SPECIFIED: 一般公差	CHK <i>M. Sluice</i> 15 JUN 98
±0.4, ±1°0'	APVD <i>M. Sluice</i> 15 JUN 98
	PRODUCT SPEC 製品規格 注記参照 (SEE NOTES) 2
	APPLICATION SPEC 取付適用規格 注記参照 (SEE NOTES) 3
	WEIGHT ---

MATERIAL 表参照 材料 (SEE TABLE) 0.2t	FINISH 表参照 仕上 (SEE TABLE)
TE TE Connectivity	
NAME 名称 ミニユニバーサルメイトンロックソケットコンタクトばら状端子 MINI UNIVERSAL MATE-N-LOK SOCKET CONTACT LOOSE PIECE	
SIZE A4	CAGE CODE 00779
DRAWING NO 番号 C-170366	
CUSTOMER DRAWING	SCALE 尺度 --- SHEET 1 OF 1 REV E1

Mouser Electronics

Authorized Distributor

Click to View Pricing, Inventory, Delivery & Lifecycle Information:

[TE Connectivity:](#)

[170366-3](#)