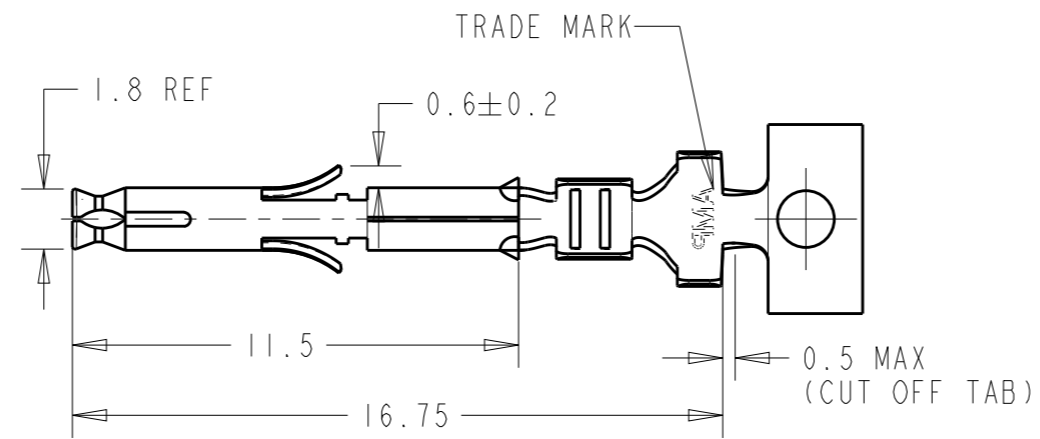
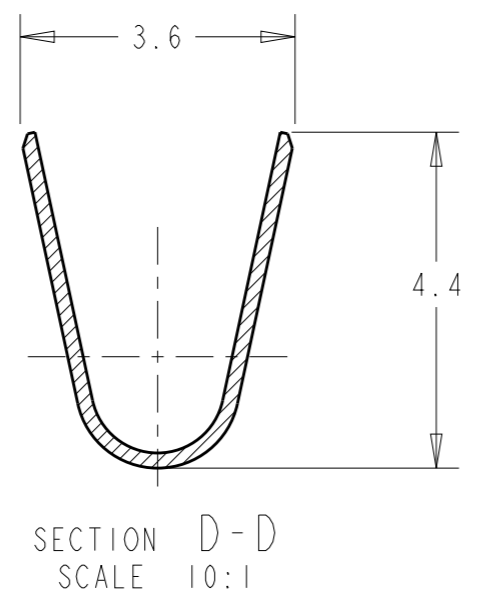
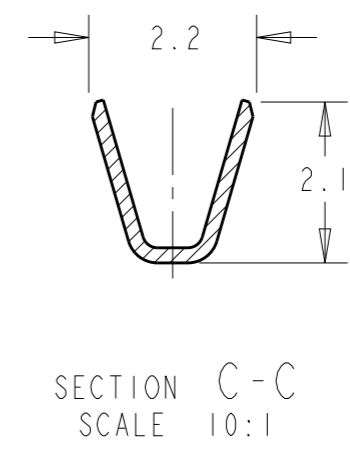
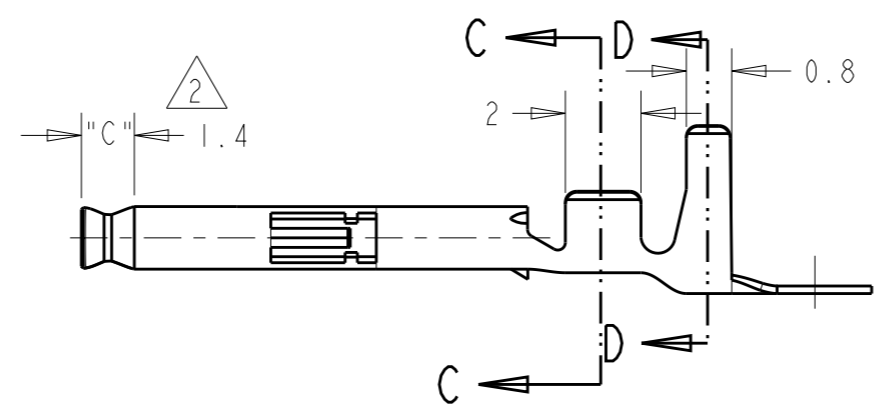
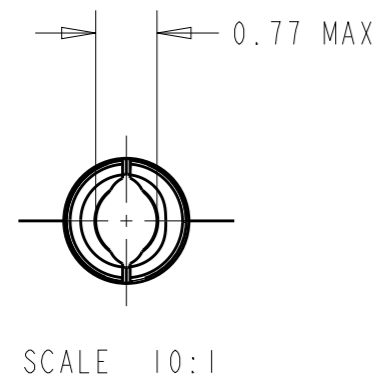


P	LTR	DESCRIPTION	DATE	DWN	APVD
	J2	REVISED PER ECR-20-005023	24APR2020	BDA	SW
	J3	REVISED PER ECR-20-100305	13AUG2020	PJ	VS
	K	REVISED PER ECR-20-100490	30SEP2020	PC	SW



- 1 APPLICABLE HOUSING : CAP AND PLUG
- 2 SELECTIVE GOLD PLATED AREA "C"  
0.0004mm MIN THICK OVER Ni PLATE ON INSIDE SURFACE.
- 4 MATING PART NUMBERS:  
170359, 170360, 170363, 170364.
- 5 WIRE RANGE: 18-22 AWG, 2X 22AWG.
- 6 INSULATION DIA: 1.5-2.4mm,  
3.4mm MAX FOR TWO WIRE CRIMP.



LOOSE PIECE PART NUMBER	FINISH	MATERIAL	PART NUMBER
170366-4	PRE-TIN	PHOZ.BRONZ	170362-4
170366-3	2	BRASS	170362-3
170366-1	PRE-TIN	BRASS	170362-1

THIS DRAWING IS A CONTROLLED DOCUMENT.

DIMENSIONS:	TOLERANCES UNLESS OTHERWISE SPECIFIED:
mm	
0 PLC	±0.3
1 PLC	±0.3
2 PLC	±0.3
3 PLC	±
4 PLC	±
ANGLES	±3°

MATERIAL: SEE TABLE  
FINISH: SEE TABLE

DWN: N. YAMASAKI 28FEB1994  
CHK: M. SHINDO 28FEB1994  
APVD: Y. KASHIWA 4MAR1994  
PRODUCT SPEC: 108-5138  
APPLICATION SPEC: 114-5050  
WEIGHT: -  
CUSTOMER DRAWING

**STE** TE Connectivity

NAME: MINI UNIVERSAL M-N-L SOCKET CONTACT

SIZE: A3	CAGE CODE: 00779	DRAWING NO: C-170362	RESTRICTED TO: -
----------	------------------	----------------------	------------------

SCALE: 5:1 SHEET: 1 OF 1 REV: K

# Mouser Electronics

Authorized Distributor

Click to View Pricing, Inventory, Delivery & Lifecycle Information:

[TE Connectivity:](#)

[170362-3](#)