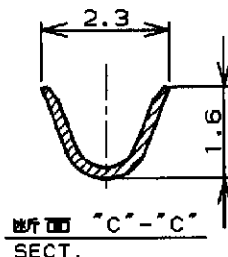
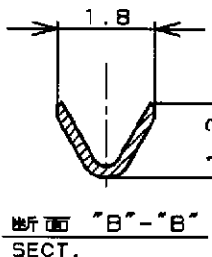
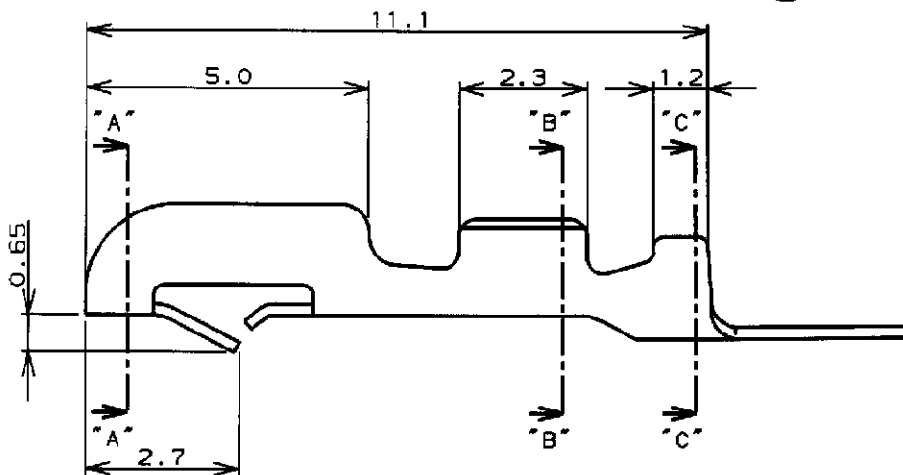
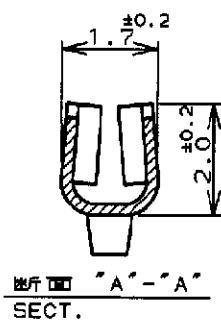
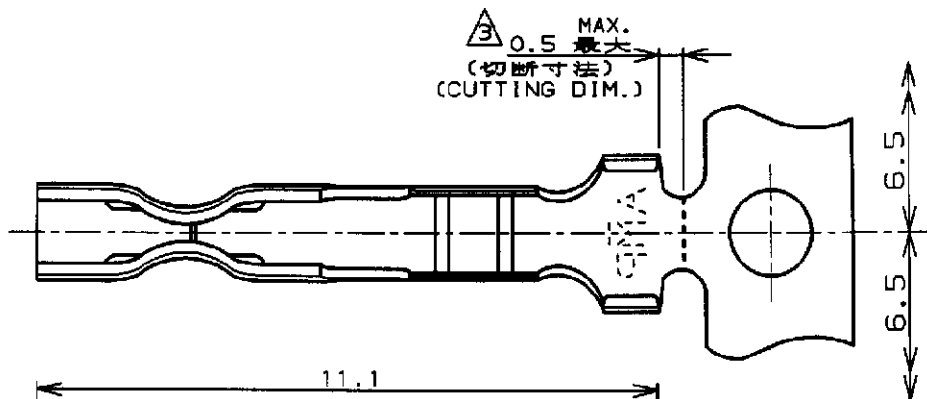


LOC	DIST	REVISIONS						
		P	LTR	DESCRIPTION	ECN	DATE	DWN	APVD
J			F	REDRAWN	FJ00-1640-97	31.OCT.'97	H.H	SK



NOTES:

- HOUSINGS, P/N: 171822 AND 171880 ARE USED.
- L/P CONTACT P/N: 170205-2.
- HAND TOOL P/N: 722561-1.

注記:

- 使用ハウジングは製品型番: 171822及び171880.
- L/P端子 製品型番: 170205-2.
- 適用手動工具 製品型番: 722561-1.

DIMENSIONS
単位 ㎜

TOLERANCES UNLESS OTHERWISE SPECIFIED.

一般公差
10 ±0.4
30 ±0.4
100 ±0.4
ANGLE ±1°0'

DWN H. Hashimoto 31.OCT.'97

CHK A. Taniguchi 31.OCT.'97

APVD S. Kubouchi 7.NOV'97

PRODUCT SPEC

製品規格

108-5118

APPLICATION SPEC

取付適用規格

114-5035

WEIGHT

—

CUSTOMER DRAWING

WIRE RANGE
適合電線断面種
0.05~0.15mm²(AWG30~26)

INSULATION DIA
被覆外径
1.0~1.4mm

MATERIAL PHOS BR
材料 0.2mm THICKNESS

FINISH
仕上 PRE-TIN

AMP

株式会社アールピー
Kawasaki, Japan

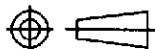
NAME
名称 コンタクト (AMP EI シリーズ コネクタ)

CONTACT (AMP EI SERIES CONNECTOR)

SIZE CAGE CODE DRAWING NO

A 00779 C-170263-2

SCALE 8-1 SHEET 1 OF 1 REV F



19

RELEASED FOR PUBLICATION
BY AMP INCORPORATED. ALL RIGHTS RESERVED.

THIS DRAWING IS UNPUBLISHED.
COPYRIGHT 19

Mouser Electronics

Authorized Distributor

Click to View Pricing, Inventory, Delivery & Lifecycle Information:

[TE Connectivity:](#)

[170205-2](#)