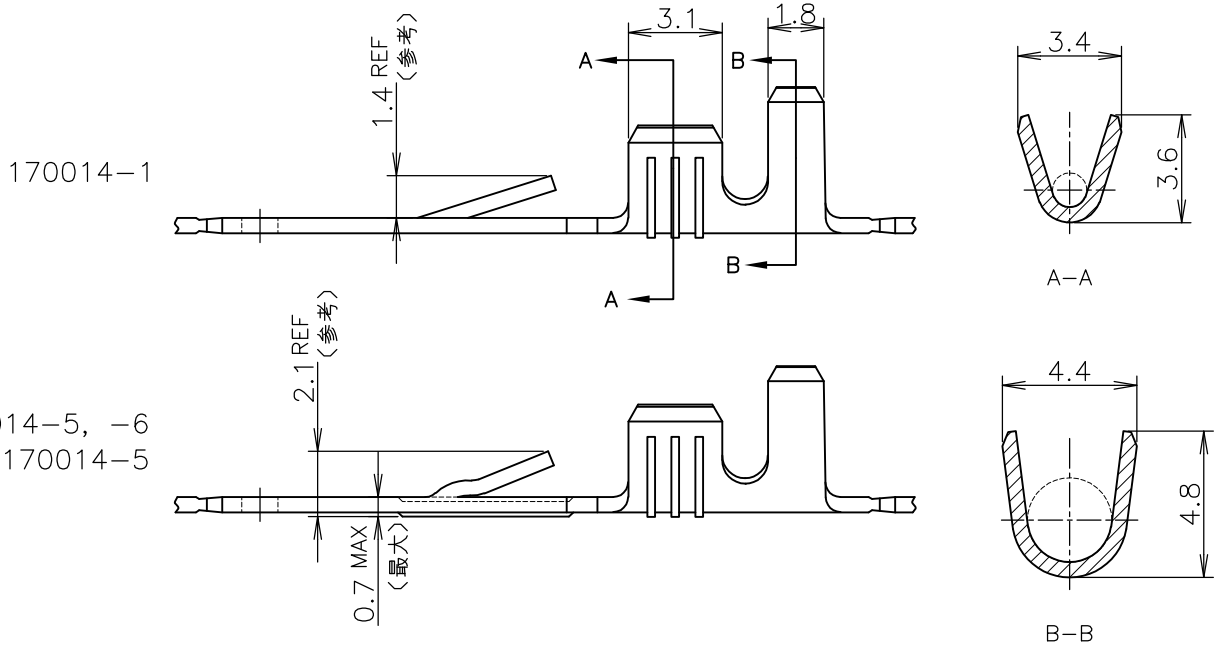
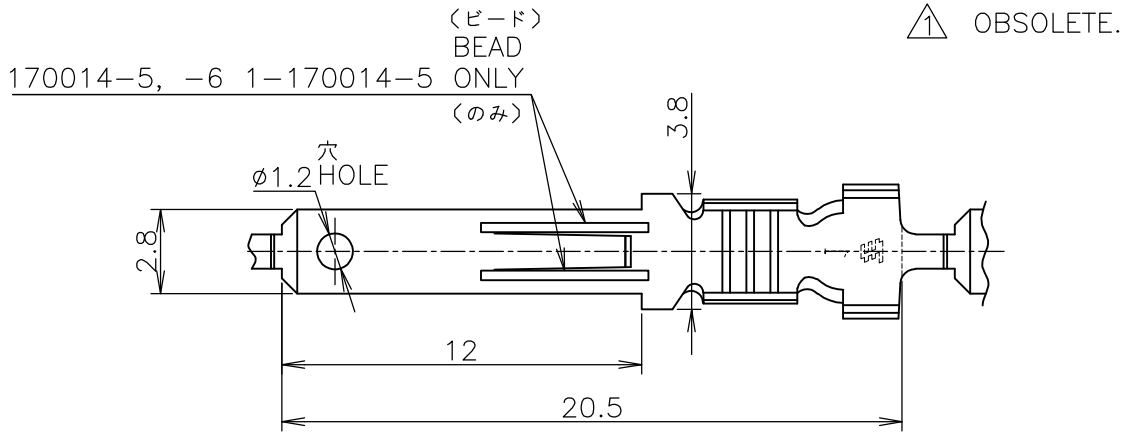


REVISIONS

P	LTR	DESCRIPTION	DATE	DWN	APVD
	M2	REVISED PER ECR-16-007334	23MAY2016	NK	LP

- -; AS SHOWN



△ 170015-*	錫めっき済黄銅 (PRE-TIN BRASS) 0.5t	— —	170014-6	
	— —	黄銅 (BRASS) 0.5t	1-170014-5	
	— —	黄銅 (BRASS) 0.5t	170014-5	
	— —	黄銅 (BRASS) 0.5t	170041-1 170014-1	
MATING CONN PART NO. 嵌合型番	FINISH 仕上	MATERIAL 材料	L/P PART NO. ばら状端子型番	STRIP PART NO. 連鎖状端子型番

WIRE RANGE 抱合電線断面積	AWG #20-#16 0.5~1.42 mm ²	INSULATION DIA 被覆外径	2.0~3.0 mm ϕ
-----------------------	---	------------------------	-------------------

DIMENSIONS: 単位: 耗 mm	DWN N.YAMASAKI	29OCT2002	MATERIAL 材料	表参照 SEE TABLE	FINISH 仕上	—
	CHK M.SHINDO	29OCT2002	TE Connectivity			
TOLERANCES UNLESS OTHERWISE SPECIFIED: 一般公差	APVD Y.KASHIWA	29OCT2002				
0 PLC ±	PRODUCT SPEC 製品規格	108-5005	NAME 名称			
1 PLC ±	APPLICATION SPEC 取付適用規格		110 SERIES FASTIN - FASTON TAB 110シリーズ ファスティン・ファストン・タブ			
2 PLC ± ±0.4	WEIGHT		SIZE	A4	CAGE CODE	00779
3 PLC ±			DRAWING NO 番号	C-170014		RESTRICTED TO
4 PLC ±			CUSTOMER DRAWING			
ANGLES ±			SCALE 尺度	4:1	SHEET	1 OF 1
			REV	M2		

Mouser Electronics

Authorized Distributor

Click to View Pricing, Inventory, Delivery & Lifecycle Information:

[TE Connectivity:](#)

[170014-6](#)