

SAFETY ORGANIZATION(S):

THIS FILTER HAS BEEN FORMALLY RECOGNIZED, CERTIFIED OR APPROVED BY THE LISTED AGENCY. THEREFORE, ALL TEST/REQUIREMENTS SPECIFIED IN THE LATEST REVISION OF THE FOLLOWING AGENCY STANDARDS HAVE BEEN MET:

- UL 1283
- CSA 22.2, NO.0,0.4,8
- VDE 565-3

OPERATING SPECIFICATIONS:

- LINE VOLTAGE/CURRENT: 20 AMP., 120/250 VAC
- 16 AMP./40°C, 250 VAC
- LINE FREQUENCY: 50-60Hz
- 30°C
- MAX. CASE RISE θ RATED CURRENT: .5 mA at 120V 60 Hz
- MAX. LEAKAGE CURRENT, EACH LINE TO GROUND: 1.0 mA at 250V 50 Hz
- OPERATING AMBIENT TEMP. RANGE: -10°C TO +40°C θ RATED CURRENT, I_r

IN AN AMBIENT, T_a , HIGHER THAN 40°C, THE MAXIMUM OPERATING CURRENT, I_o , IS AS FOLLOWS:

$$I_o = I_r \sqrt{\frac{85-T_a}{45}}$$

RELIABILITY SPECIFICATIONS:

- STORAGE TEMPERATURE: -40°C TO +85°C
- HUMIDITY: 21 DAYS θ 40°C 95% RH
- CURRENT OVERLOAD TEST: 6 TIMES RATED CURRENT FOR 8 SECONDS

TEST SPECIFICATIONS:

- INDUCTANCE: .44 mH NOMINAL
- CAPACITANCE: (MEASURED θ 1 KHz, 0.25 VAC MAX., 25°C \pm 1°C)
 - LINE TO GROUND: .011 μ F \pm 20%
 - LINE TO LINE: .203 μ F \pm 20%
- DISCHARGE RESISTOR: 1.5M Ω
- LINE/GROUND AND LINE/LINE INSULATION RESISTANCE: 6000 M Ω (MIN) AT 100 VDC 20°C AND 50% RH

RECOMMENDED RECEIVING INSPECTION HIPOT:

- LINES TO GROUND: 2250 VDC FOR 1 MINUTE
- LINE TO LINE: 1450 VDC FOR 1 MINUTE

FILTER APPROVAL:

THE BEST WAY TO SELECT AND QUALIFY A FILTER IS FOR YOUR ENGINEERING TO TEST THE UNIT IN YOUR EQUIPMENT.

TOLERANCE EXCEPT AS NOTED

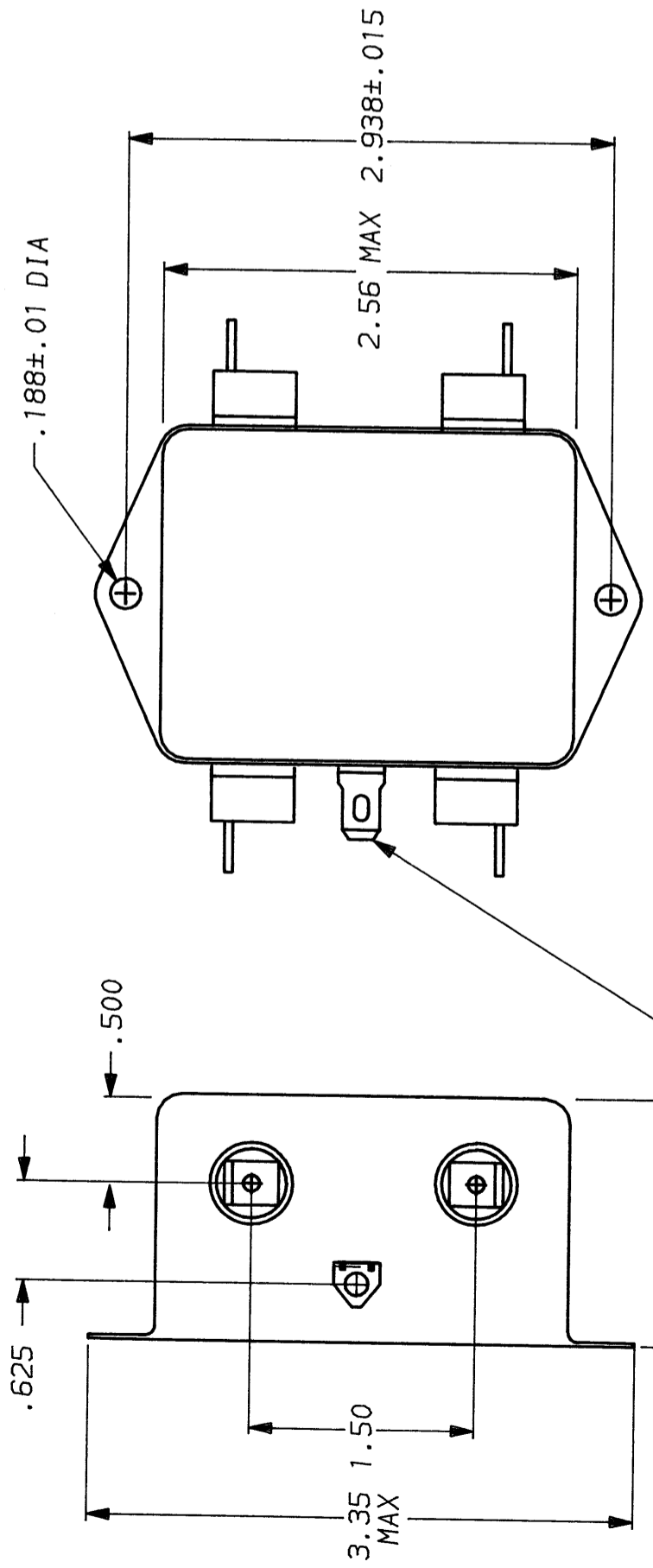
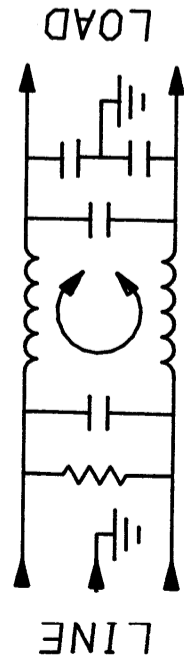
DECIMAL: .XXX .XX .X ANGLES \pm 1°
 ENGLISH: \pm .025
 METRIC: \pm —

MATERIAL:

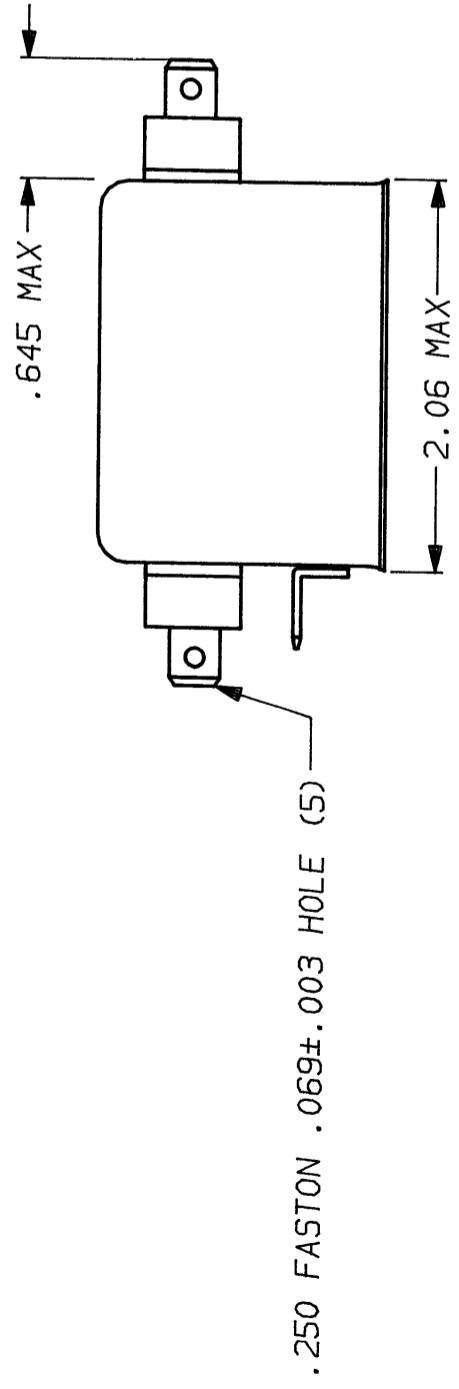
AS SUPPLIED

FINISH:

AS SUPPLIED



0.069 X 0.155 SLOT



FREQUENCY MHZ	50 Ω - 50 Ω (MINIMUM) INSERTION LOSS									
	.15	.4	.5	1	2	5	10	20	30	
COMMON dB	9	22	25	34	39	44	47	50	51	
DIFF. dB	5	5	20	40	55	50	40	30	30	

This document is proprietary to CORCOM INC. and is not to be reproduced nor used for manufacturing purposes except on CORCOM's order or prior written consent.



POWER LINE FILTER

SCALE	DATE	DRG. NO.	REV.
NTS	7-31-90	20VK1	06
DRW. BY	ORIGINATOR		
CFW	CFW		

Mouser Electronics

Authorized Distributor

Click to View Pricing, Inventory, Delivery & Lifecycle Information:

[TE Connectivity:](#)

[1-6609028-7](#)