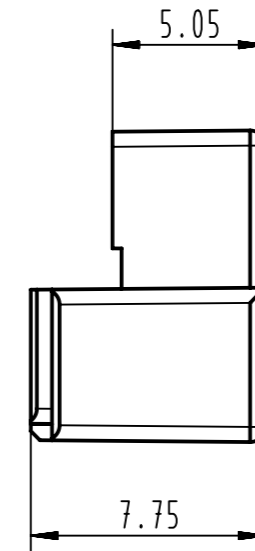
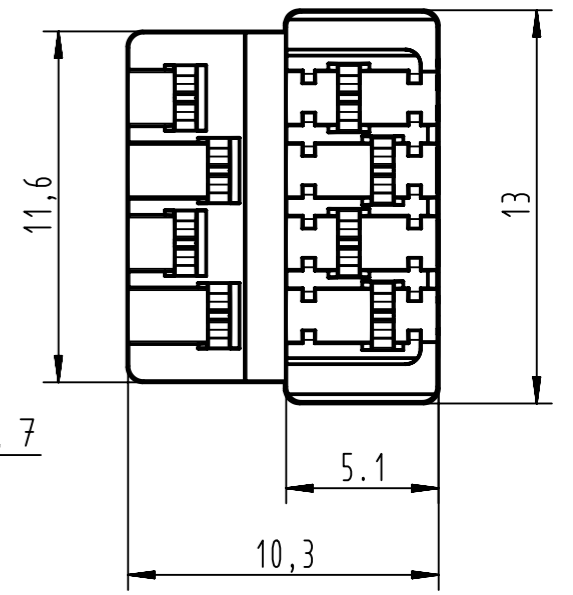
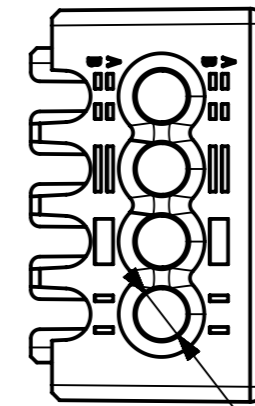
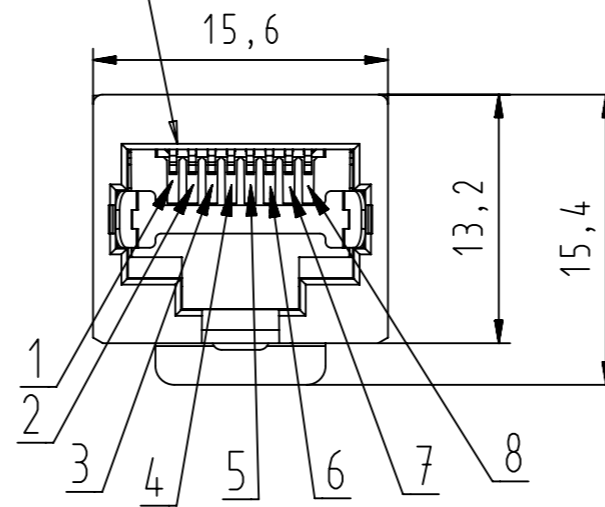
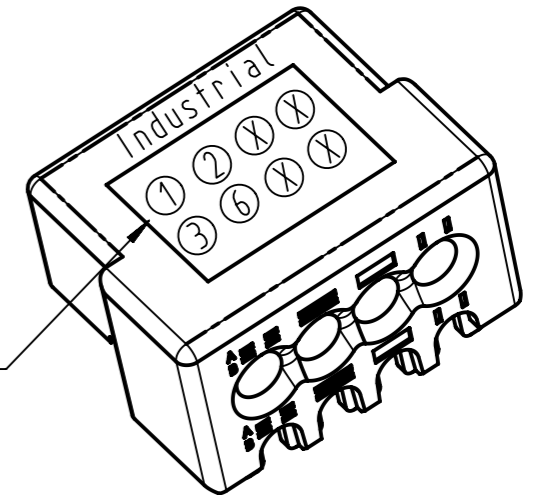
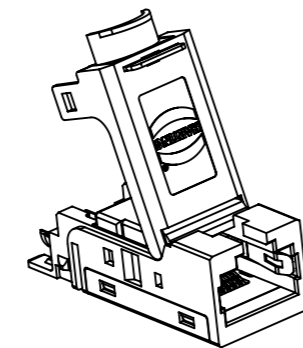
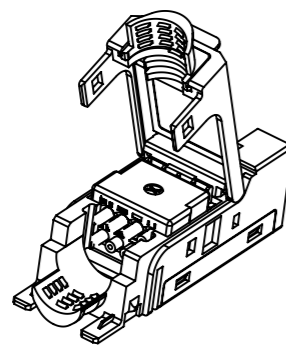


RJ45 mating face according to IEC 60603-7



WIRE MANAGER (4:1)



Sticker with Industrial color code

	All Dimensions in mm Original Size DIN A3		Scale 2.5:1	Free size tol.		Ref. Sub.	
	All rights reserved Department EC PD - FR		Created by BARLEMONT	Inspected by DAUCHELLE	Standardisation HOFFMANN	Date 2013-04-23	State Final Release
HARTING Electronics GmbH D-32339 Espelkamp		Title RJ1 RJ45 10G Cat.6, 8p jack IDC AWG24-22				Doc-Key / ECM-Nr. 100229920/UGD/005/C 50000061371	
		Type TB	Number 09455451562			Rev. C	Page 1/1

Mouser Electronics

Authorized Distributor

Click to View Pricing, Inventory, Delivery & Lifecycle Information:

[HARTING:](#)

[09455451562](#)