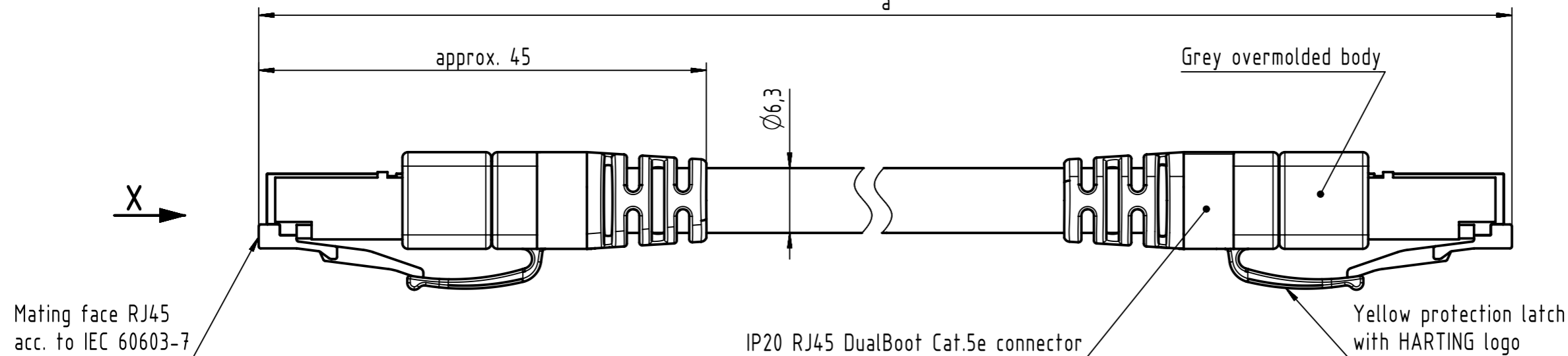
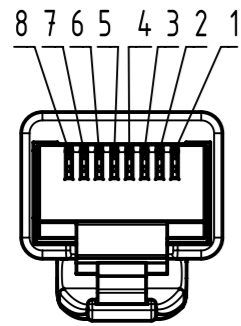


Connector Location A

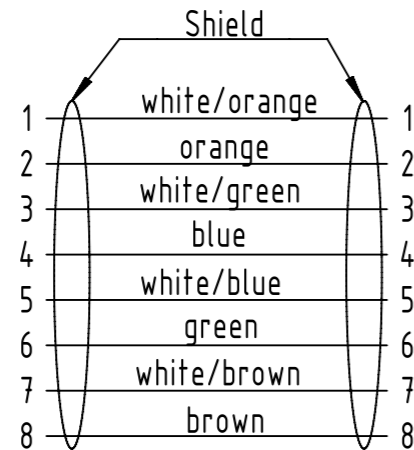
Connector Location B



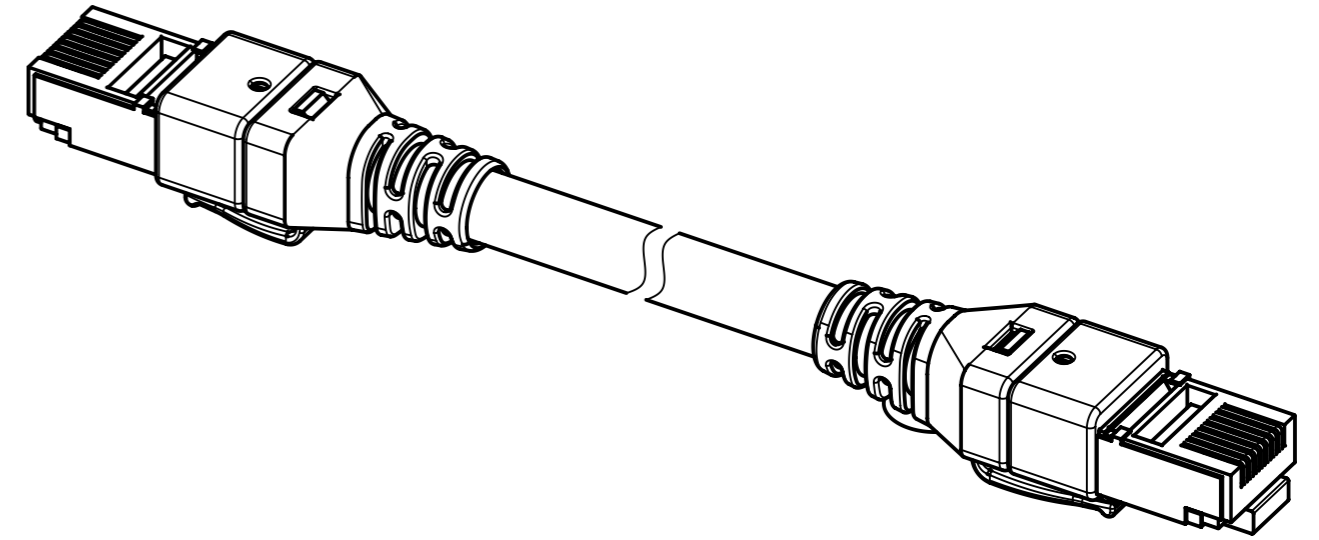
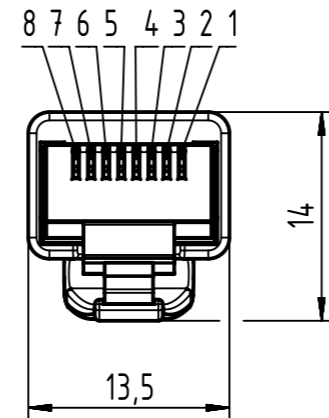
X
male



Loading-Plan
acc. to TIA/EIA 568B



Y
male

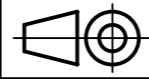


NOTE:

For lengths < 1.0m:
- relative positioning of the connectors to each other will be as presented in the drawing, however with an admissible angular deviation around cable axis of ± 30°
For lengths ≥ 1.0m:
-relative positioning of the connectors to each other not obligatory

Temperature range:
- Fixed installation: -30°C ...+75°C
- Dynamic installation: -5°C ...+50°C

	All rights reserved		Created by COSTEA		Inspected by MUNTEANV		Standardisation MUNTEANV		Date 2018-01-25		State Final Release	
	Department HCS - RO		Title RJ45 DualBoot cable assembly Cat.5e PUR		Type TB		Number 094747470XX		Doc-Key / ECM-Nr. 100170398/UGD/016/K 500000130484		Rev. K Page 1/2	
HARTING Customised Solutions D-32339 Espelkamp		Tech. Character.		Free size tol.		According to production drawing						

1	2	3	4	5	6	7	8
A							
	40	09474747040	4x2xAWG 26/7 SF/UTP Cat.5e PUR	60	±1%		
	39	09474747029		50			
	38	09474747036		48			
	37	09474747028		40			
	36	09474747026		35			
	35	09474747027		30			
B	34	09474747025		25			
	33	09474747023		20			
	32	09474747034		18			
	31	09474747033		17			
	30	09474747032		16			
	29	09474747022		15			
	28	09474747031		14			
	27	09474747035		12			
C	26	09474747030		11			
	25	09474747021		10			
	24	09474747020		9			
	23	09474747019		8			
	22	09474747018		7.5			
	21	09474747017		7			
	20	09474747016		6			
	19	09474747015		5			
D	18	09474747014		4			
	17	09474747024		3.5			
	16	09474747013		3			
	15	09474747012		2.5			
	14	09474747011		2			
	13	09474747037		1.8			
	12	09474747010		1.5			
	11	09474747038		1.2			
	10	09474747009		1			
E	9	09474747008		0.9			
	8	09474747007		0.8			
	7	09474747006		0.7			
	6	09474747005		0.6			
	5	09474747004		0.5			
	4	09474747003		0.4			
	3	09474747002		0.3			
	2	09474747001		0.2			
	1	09474747039		0.16			
F							
	Cont. no.	Part no.	Type of cable	Dim. a[m]	 All Dimensions in mm Tech. Character. Free size tol. According to production drawing		
					All rights reserved Department HCS - RO Created by COSTEA Inspected by MUNTEANV Standardisation MUNTEANV Date 2018-01-25 State Final Release		
					Title RJ45 DualBoot cable assembly Cat.5e PUR Doc-Key / ECM-Nr. 100170398/UGD/016/K 500000130484 Type TB Number 094747470XX Rev. K Page 2/2		
					HARTING Customised Solutions D-32339 Espelkamp		

Mouser Electronics

Authorized Distributor

Click to View Pricing, Inventory, Delivery & Lifecycle Information:

HARTING:

[09474747004](#) [09474747009](#) [09474747011](#) [09474747001](#) [09474747002](#) [09474747003](#) [09474747005](#)
[09474747006](#) [09474747007](#) [09474747008](#) [09474747010](#) [09474747012](#) [09474747013](#) [09474747014](#) [09474747015](#)
[09474747016](#) [09474747017](#) [09474747018](#) [09474747019](#) [09474747020](#) [09474747021](#) [09474747022](#)
[09474747023](#) [09474747025](#)