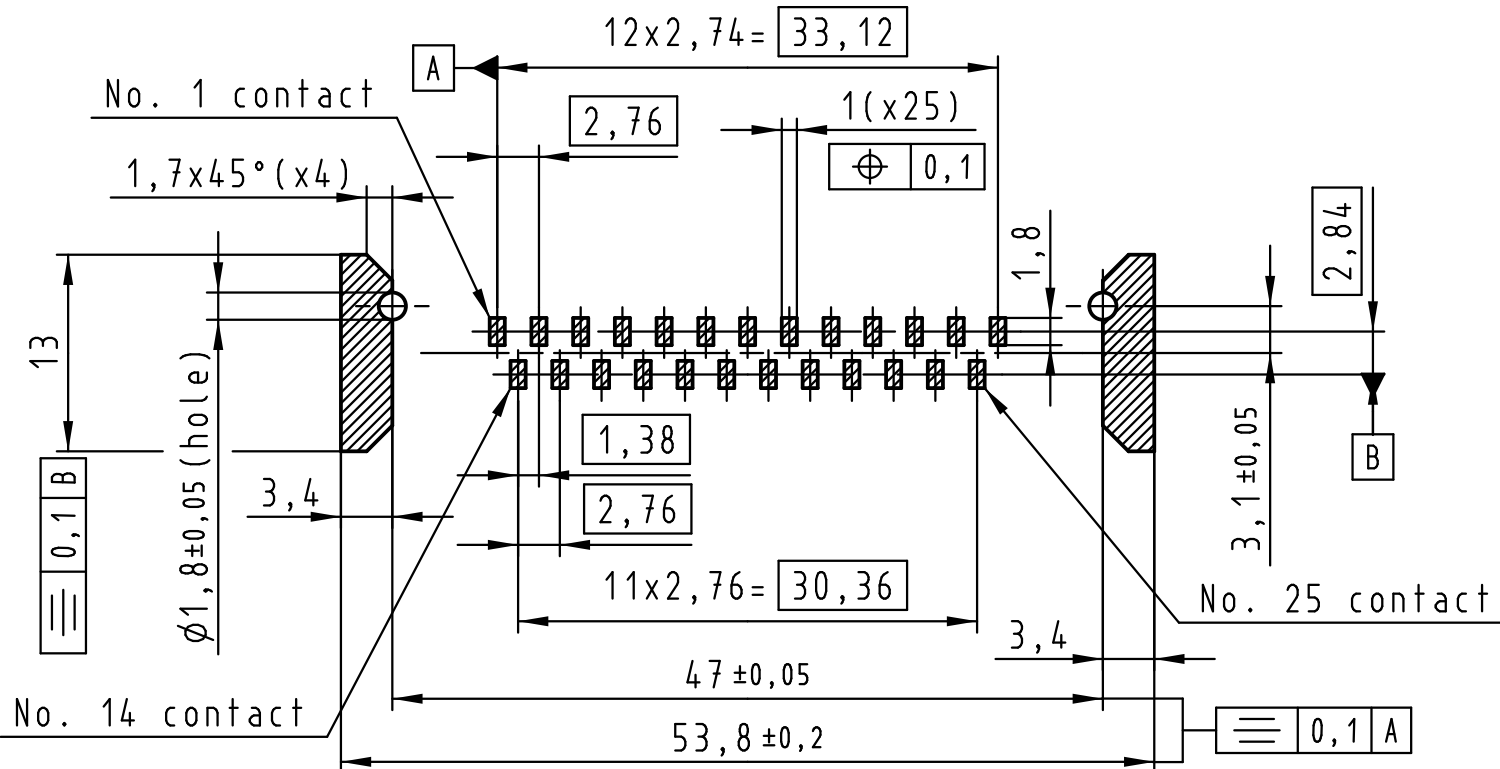
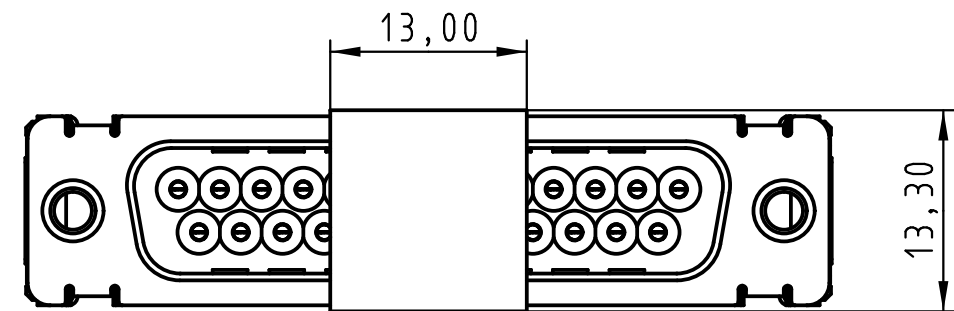
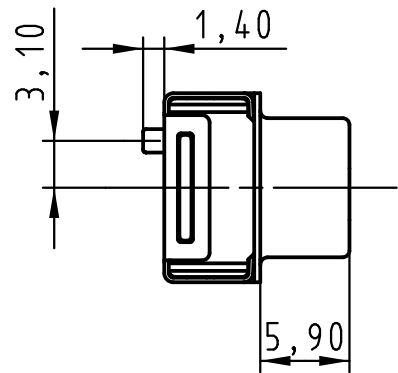
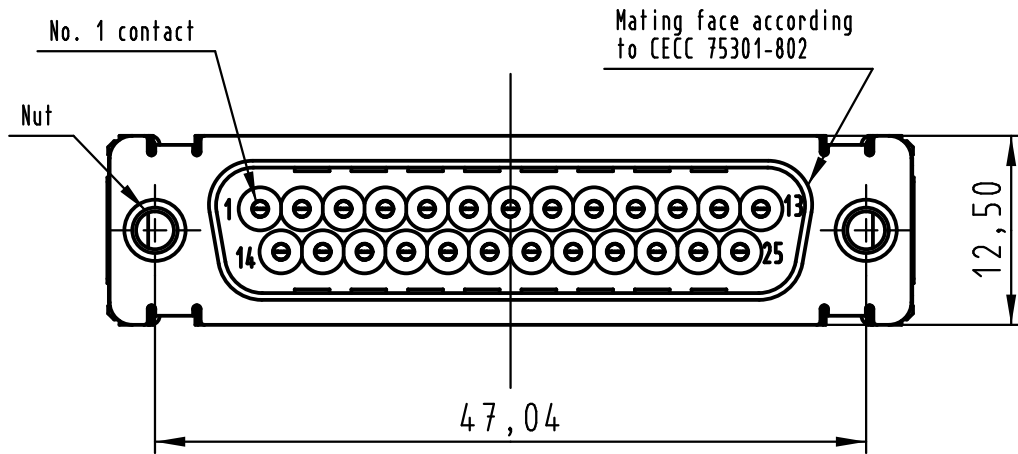
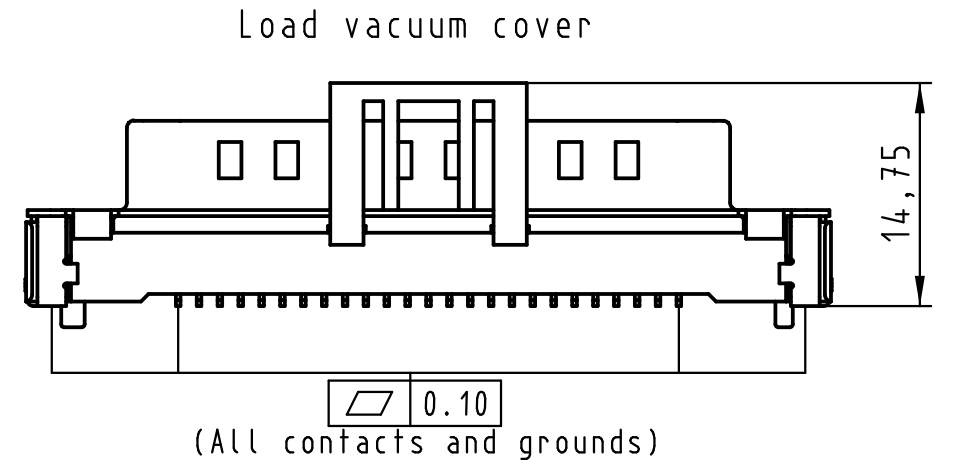
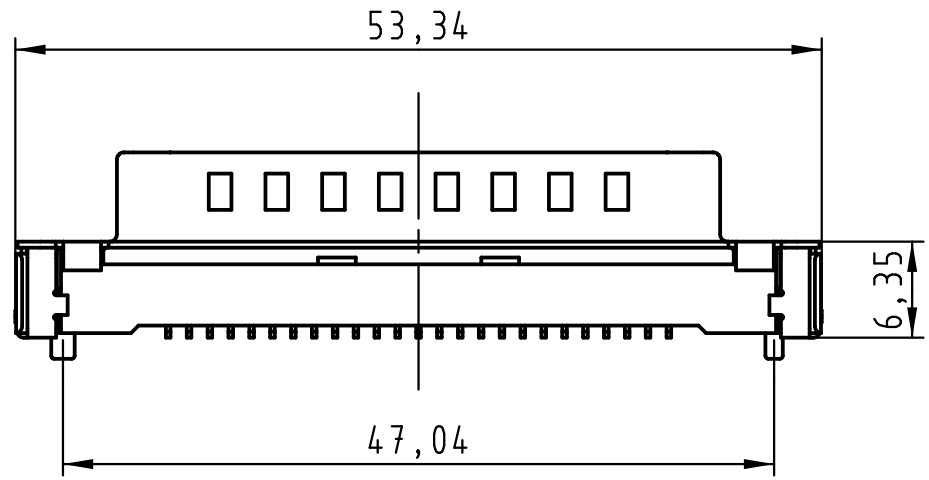


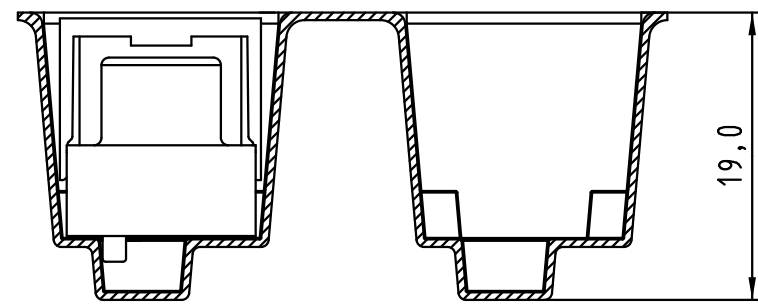
All rights reserved



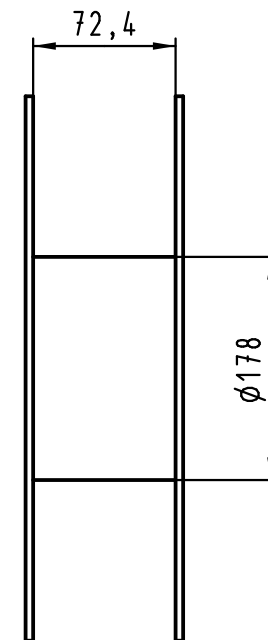
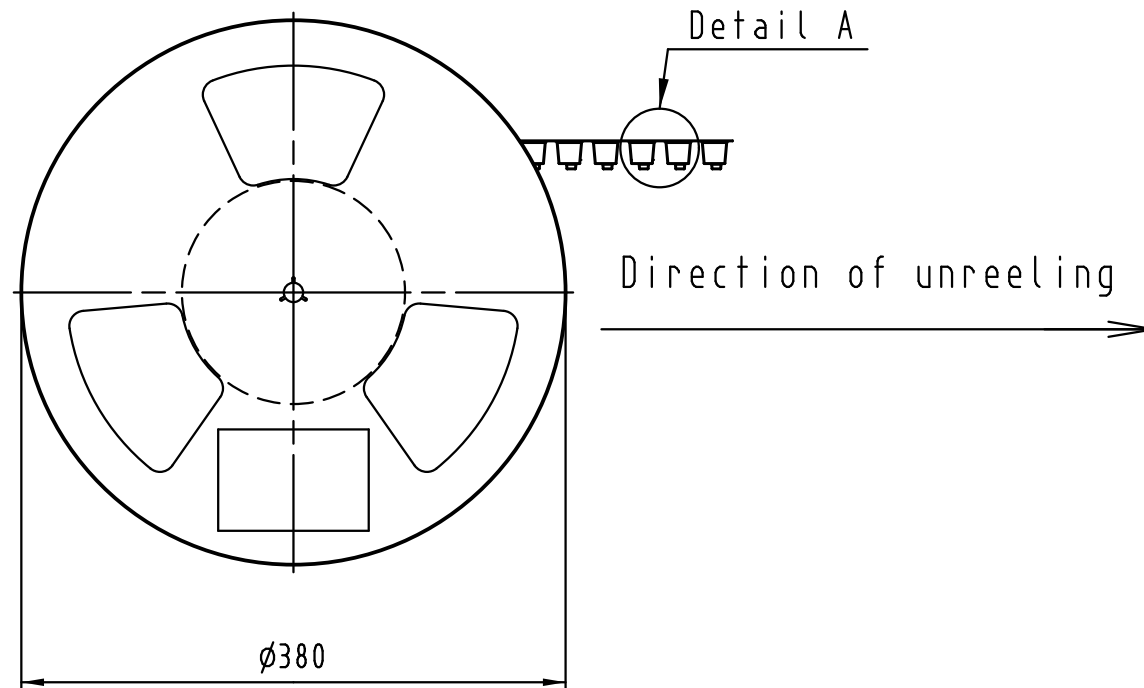
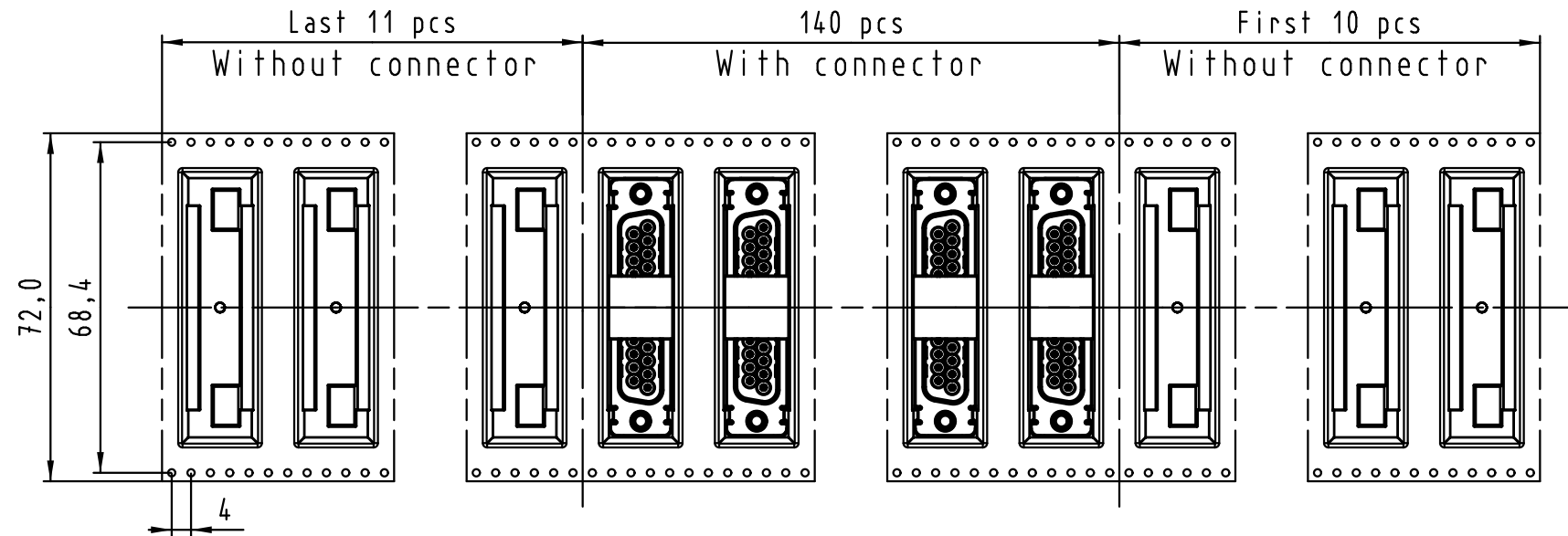
PCB layout, component side

Max. Temperature: 260° during 10 seconds.

0955 329 3811 741	1	M3	Black insulator	Reel Packaging: 140 connectors (See details on page2/2)														
0955 329 3812 741	1	4-40 UNC																
0955 329 6811 741	2	M3																
0955 329 6812 741	2	4-40 UNC																
0955 329 7811 741	3	M3																
0955 329 7812 741	3	4-40 UNC																
Part number	PL	Nut	Index designation															
All Dimensions in mm Original Size DIN A 3			Free size tolerances															
<table border="1"> <tr> <th></th> <th>Dat.</th> <th>Name</th> <th>Scale</th> </tr> <tr> <td>Detail.</td> <td>25-Oct-11</td> <td>Johnson.S</td> <td rowspan="3">2:1</td> </tr> <tr> <td>Insp.</td> <td>17-Nov-11</td> <td>Steven.W</td> </tr> <tr> <td>Stand.</td> <td>17-Nov-11</td> <td>Steven.W</td> </tr> </table>				Dat.	Name	Scale	Detail.	25-Oct-11	Johnson.S	2:1	Insp.	17-Nov-11	Steven.W	Stand.	17-Nov-11	Steven.W	D-Sub SMT, 25 poles Male, Straight with nuts and ground pads	
	Dat.	Name	Scale															
Detail.	25-Oct-11	Johnson.S	2:1															
Insp.	17-Nov-11	Steven.W																
Stand.	17-Nov-11	Steven.W																
EC04070	17-Nov-11	Johnson.S	Zhuhai HARTING Limited	TB 09 55 329 x81x														
Mod.	Dat.	Name		Page 1/2														



Detail A



See TB 09 55 329 x81x folio 1/2 for connector dimensions and PCB layout

Packaging in accordance with EIA 481-2.

0955 329 3811 741	1	M3	Black insulator	Reel Packaging: 140 connectors
0955 329 3812 741	1	4-40 UNC		
0955 329 6811 741	2	M3		
0955 329 6812 741	2	4-40 UNC		
0955 329 7811 741	3	M3		
0955 329 7812 741	3	4-40 UNC		
Part number	PL	Nut	Index designation	

	All Dimensions in mm Original Size DIN A 3			Techn. Character.			Free size tolerances		
EC04070	17-Nov-11	Johnson.S	Zhuhai HARTING Limited			TB 09 55 329 x81x			Page 2/2
Mod.	Dat.	Name				Sub.			

All rights reserved

Mouser Electronics

Authorized Distributor

Click to View Pricing, Inventory, Delivery & Lifecycle Information:

[HARTING:](#)

[09553296812741](#) [09553297812741](#) [09553296811741](#) [09553297811741](#)