

5

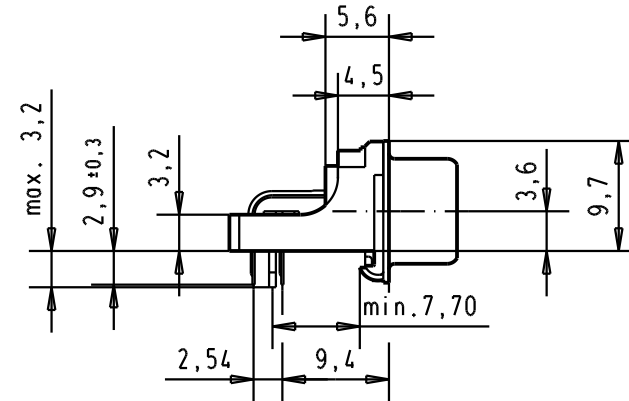
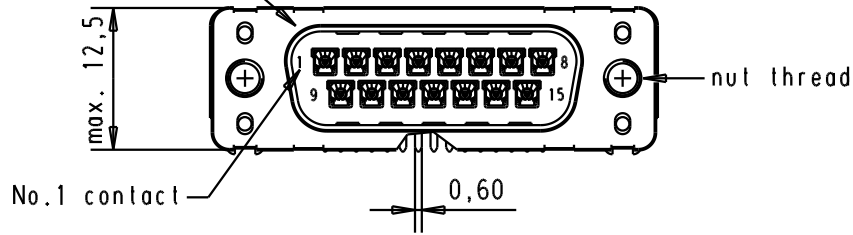
4

3

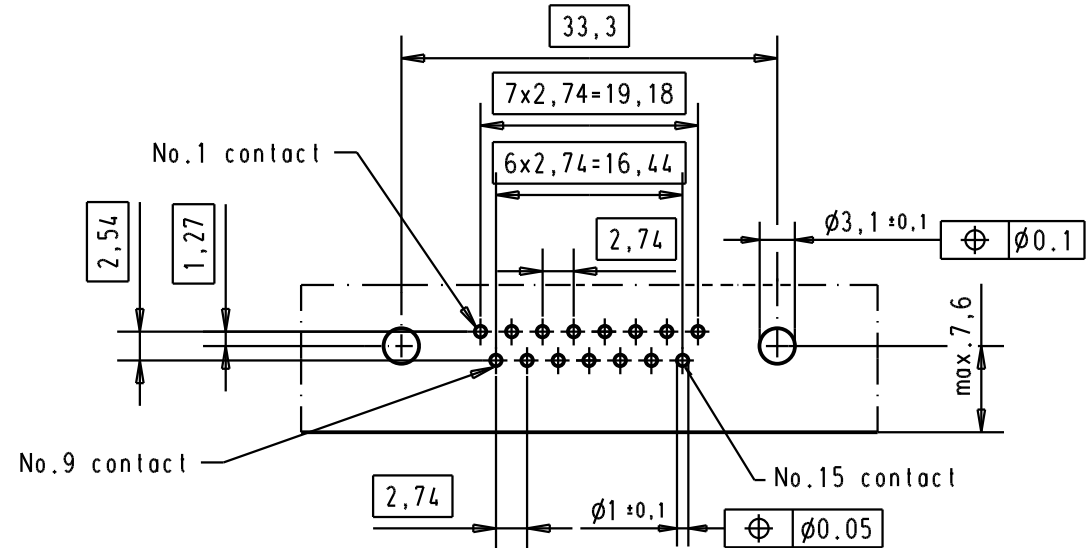
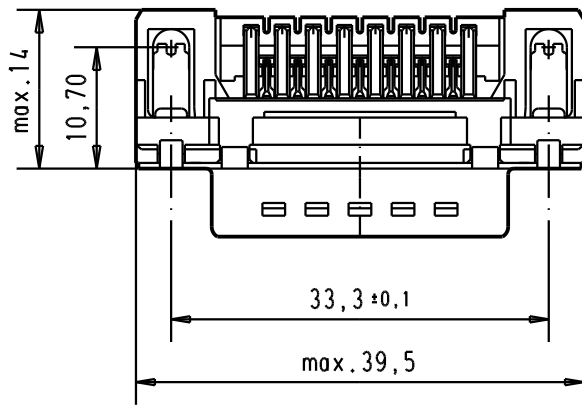
2

1

Mating face according to : MIL-C-24308 / DIN 41652 / CECC 75301-802



Printed board layout  
component side



Connector retention and assembling forces on the PCB = 25 / 80 newtons

A

09 65 266 3815	M3	1								 All Dim. in mm Orig. Size DIN A 4	D-Sub, high temperature, male, low profil, 15 poles, with solder pins 2.9, nuts and grounding board lock.	Maßstab/ Scale 1.5:1
09 65 266 6815	M3	2					Detail.	05/03/02	CV			
09 65 266 7815	M3	3					Insp.					
09 65 266 3816	4-40 UNC	1	31892	22/04/04	JH		Stand.					
09 65 266 6816	4-40 UNC	2	31084	04/09/02	YT							
09 65 266 7816	4-40 UNC	3	29723	05/03/02	CV							
Part number	Nut thread	Performance level	Mod.	Dat.	Name	HARTING EURL F-95972 Paris			TB 0965266x81x		Blatt/ Page 4	

Sub.

# Mouser Electronics

Authorized Distributor

Click to View Pricing, Inventory, Delivery & Lifecycle Information:

[HARTING:](#)

[09652666816](#) [09652666815](#)