

5

4

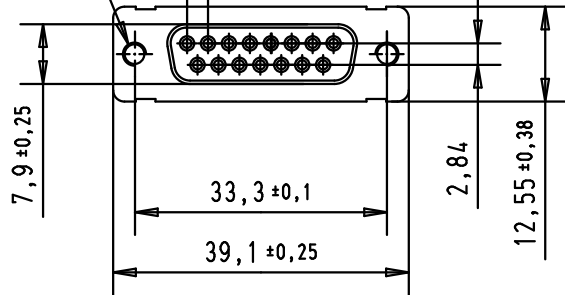
3

2

1

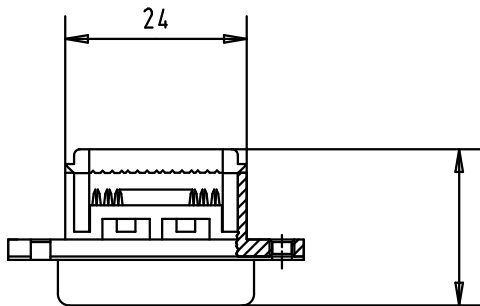
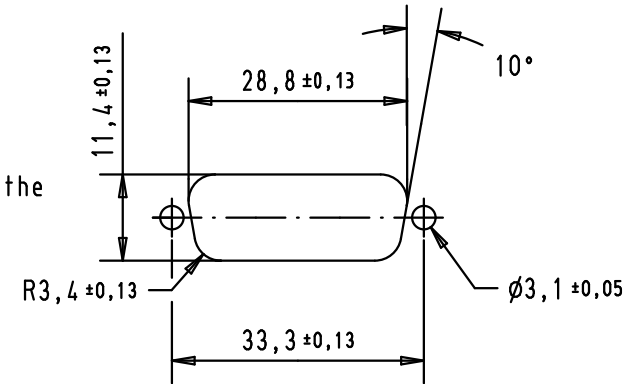
nut thread

2,77

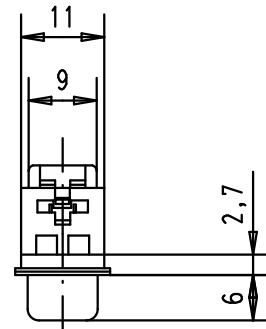


RECOMMAMDED PANEL CUTOUT DIMENSIONS FOR REAR MOUNTING

Values are taken from the CECC 75 301-802

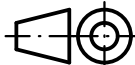



20,65 pre crimping position
18,20 after crimping position



1.27 mm pitch flat cable stranded, wire sizes : AWG 26 to 28

A

09 66 218 7502	PL3	4-40 UNC								 All Dim. in mm Orig. Size DIN A 4	D-sub, female, 15 poles, straight, IDC, nut fixing	Maßstab/ Scale 1 : 1
09 66 218 6502	PL2	4-40 UNC				Detail.	19-MAR-02	CV				
09 66 218 7501	PL3	M3				Insp.	23-SEP-11	JB				
09 66 218 6501	PL2	M3				Stand.						
				EC03837	23-SEP-11	BH					TB 09 66 218 x50x	Blatt/ Page 1 / 1
				EC01902	21-MAY-10	SC	HARTING EURL F-95972 Paris					
part number	performance level	Nut thread		29756	19-MAR-02	CV	Mod.	Dat.	Name			
											Sub.	

Mouser Electronics

Authorized Distributor

Click to View Pricing, Inventory, Delivery & Lifecycle Information:

[HARTING:](#)

[09662186501](#) [09662187502](#) [09662187501](#) [09662186502](#)