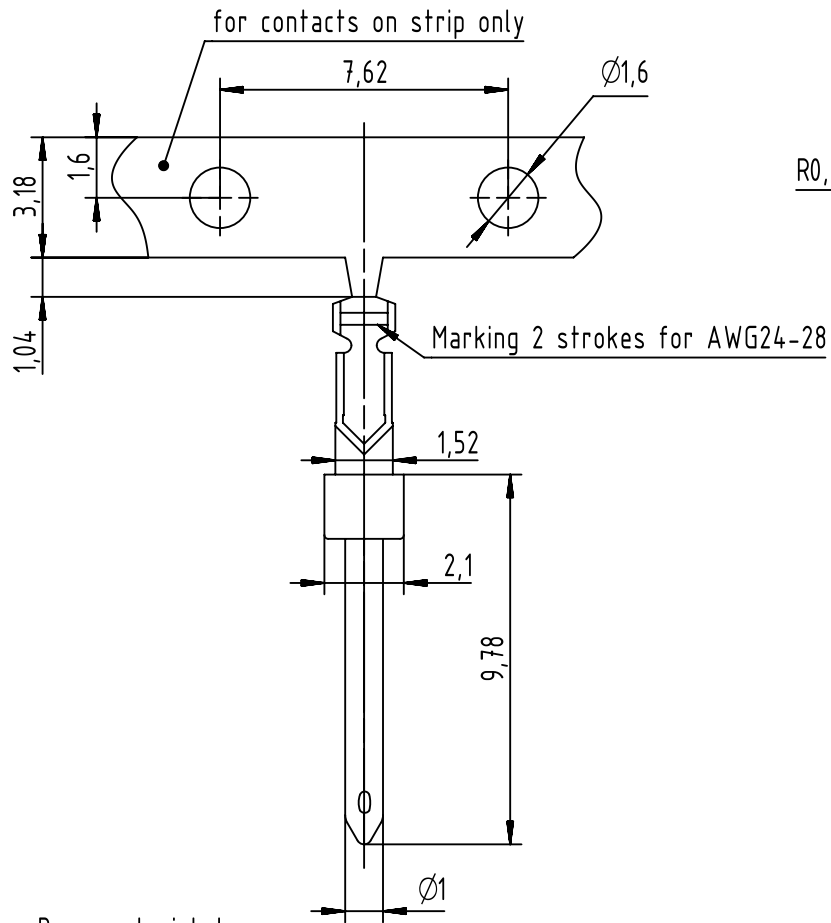


A

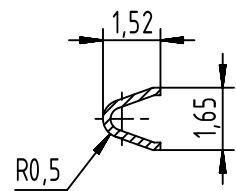
B

C

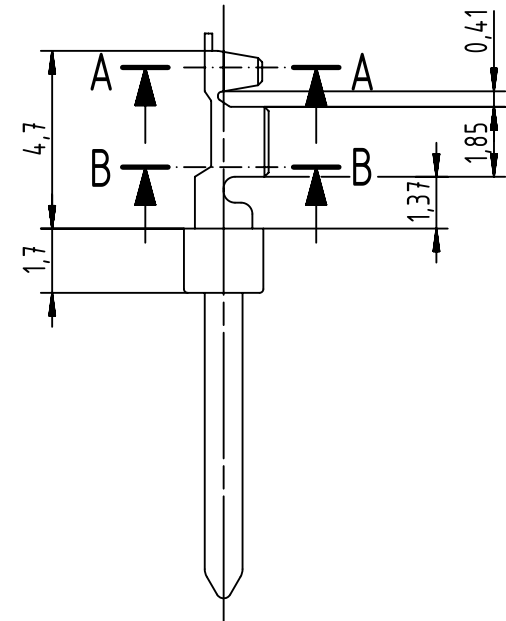
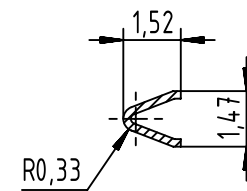
D



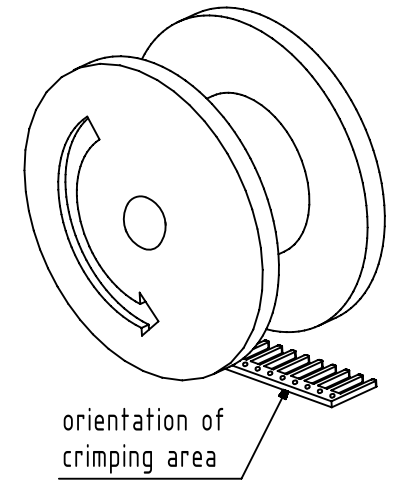
A-A



B-B



Reel unrolling left



Base material: brass
 Plating: sliding contact selective plating over nickel
 nickel plated crimp area
 Number of contacts per reel: 500

	All rights reserved Department EC PD - FR	All Dimensions in mm Original Size DIN A4		Scale 5:1	Free size tol.	Ref. Sub.
		Created by SONN	Inspected by BAGDIKIAN	Standardisation HOFFMANN	Date 2015-01-15	State Final Release
HARTING Electronics GmbH D-32339 Espelkamp		Title D-Sub, stamped male AWG 24-28 crimp contact				Doc-Key / ECM-Nr. 100607791/UGD/000/A 500000083329
Type TB		Number 0967000716X			Rev. A	Page 1/1

09 67 000 7168	PL2	PdNi
09 67 000 7167	PL3	Flash Gold
09 67 000 7166	PL1	PdNi
Part number	Performance level	Plating

Mouser Electronics

Authorized Distributor

Click to View Pricing, Inventory, Delivery & Lifecycle Information:

[HARTING:](#)

[09670007166](#) [09670007167](#) [09670007168](#)