

5

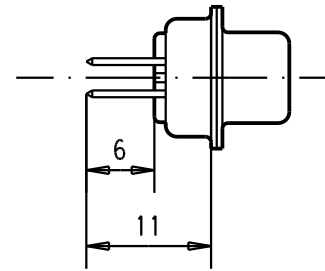
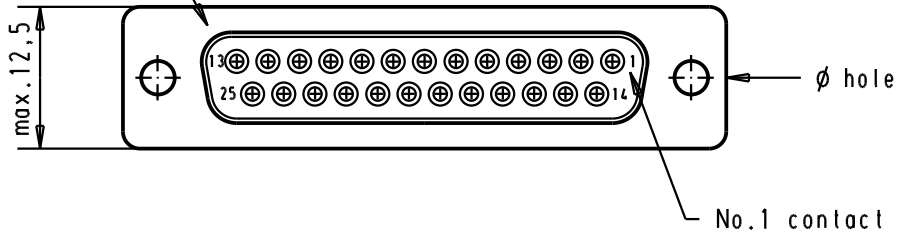
4

3

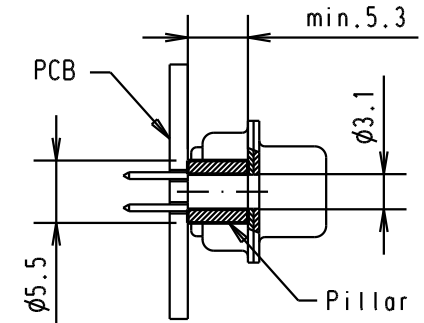
2

1

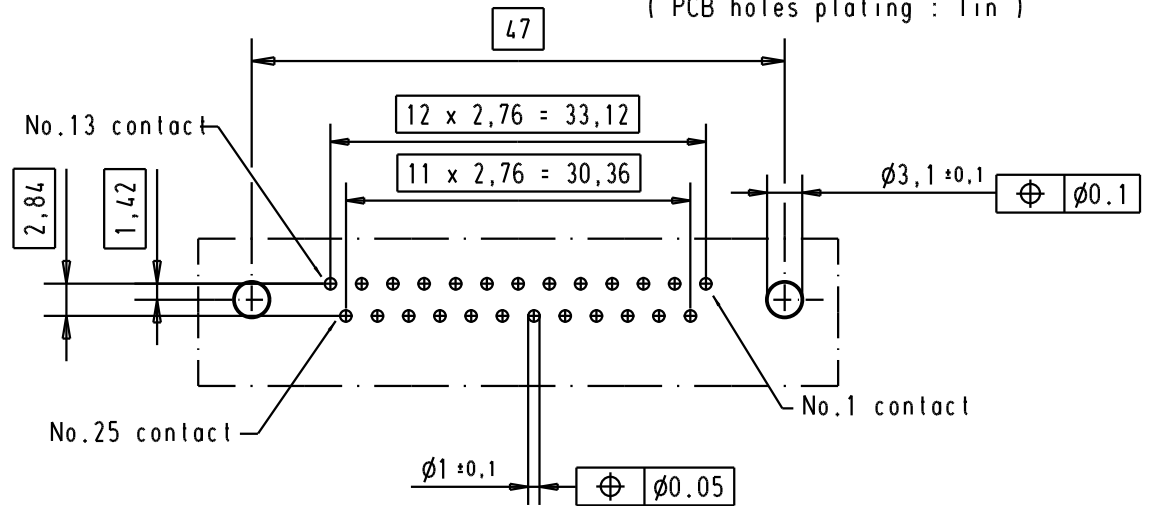
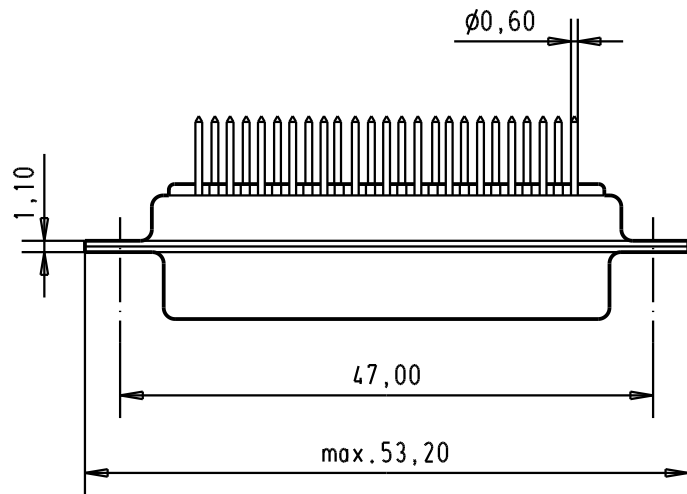
Mating face according to : MIL-C-24308 / DIN 41652 / CECC 75301-802



assembly position



PCB layout hole component side ( PCB holes plating : Tin )





D

C

B

A

						Det.	Name	 All Dim. in mm Orig. Size DIN A 4	D-Sub, Female, Straight, 25 Poles with turned solder contacts and hole	Moßstab/ Scale
09 67 025 4756	3.1 ± 0.1	1				07/feb/01	jfb			1.5:1
09 67 025 4755	3.1 ± 0.1	2	32991	01/09/05	JMDR					
09 67 025 4754	3.1 ± 0.1	3	27993	04/04/01	AF					
			27974	07/feb/01	jfb	HARTING EURL F-95972 Paris		<b>TB 0967025475x</b>	Blatt/ Page	
Part number	ø hole	Performance level	Mod.	Dat.	Name				1 / 2	
								Sub.		

# Mouser Electronics

Authorized Distributor

Click to View Pricing, Inventory, Delivery & Lifecycle Information:

[HARTING:](#)

[09670254755](#) [09670254754](#)