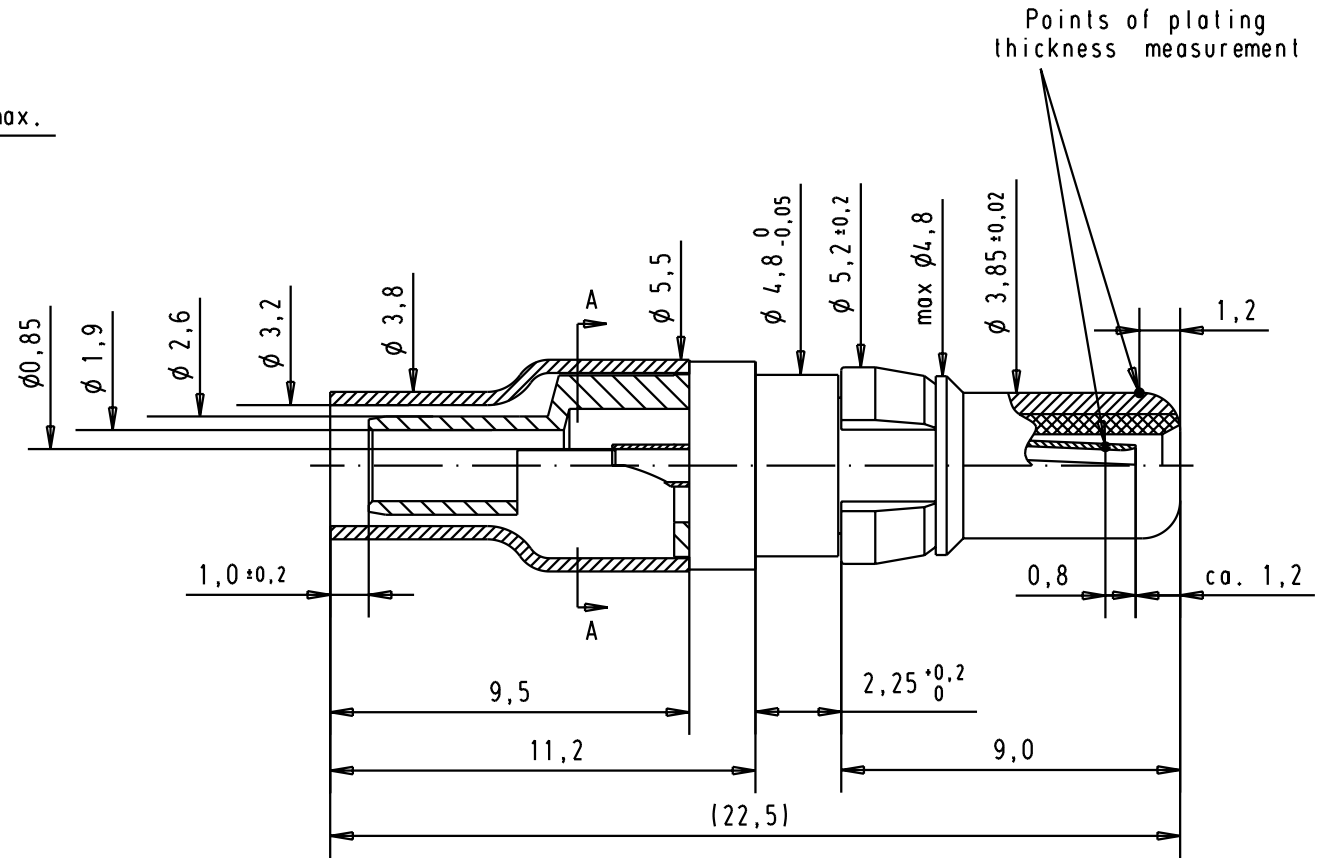
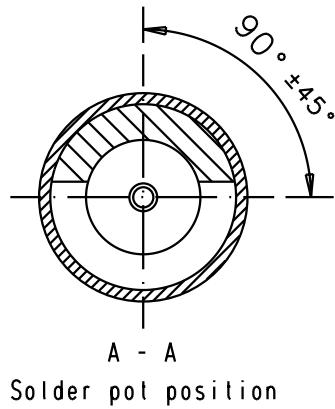
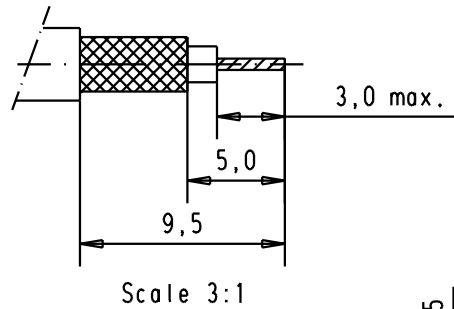


Harnessing dimensions for cables: RG174U BU, RG188AU, RG316U



Crimping tool of outer conductor:
hand tool: 09 99 000 0503 00
die: 09 99 000 0508 00

A										 All Dim. in mm Orig. Size DIN A 4	Male coaxial contact, 50 Ohms, straight cable termination, inner conductor for solder termination, outer conductor for solder or crimp termination	Maßstab / Scale 5:1
	09692817140	Mating area	0,2 µm Au	0,2 µm Au			Detail.	21-JUN-02	CV			
			Termination area	5 µm Sn	0,2 µm Au			Insp.				
	09692815140	Mating area	0,8 µm Au	1,3 µm Au			Stand.				TB 09 69 281 x140	Blatt / Page 1 / 1
		Termination area	0,2 µm Au	1,3 µm Au	31057	21-JUN-02	CV					
	Part number	Plating	outer conductor	inner conductor	Mod.	Dat.	Name	HARTING EURL F-95972 Paris			Sub.	

Mouser Electronics

Authorized Distributor

Click to View Pricing, Inventory, Delivery & Lifecycle Information:

[HARTING:](#)

[09692815140](#) [09692817140](#)