

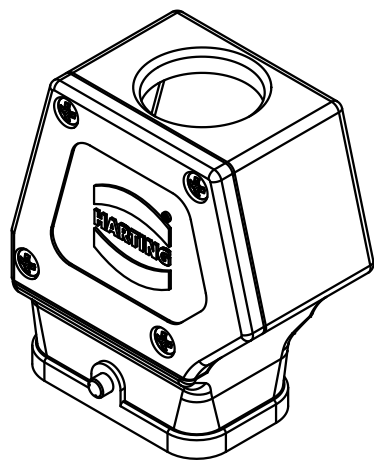
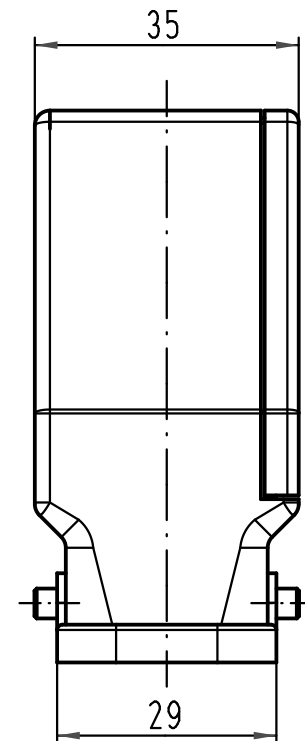
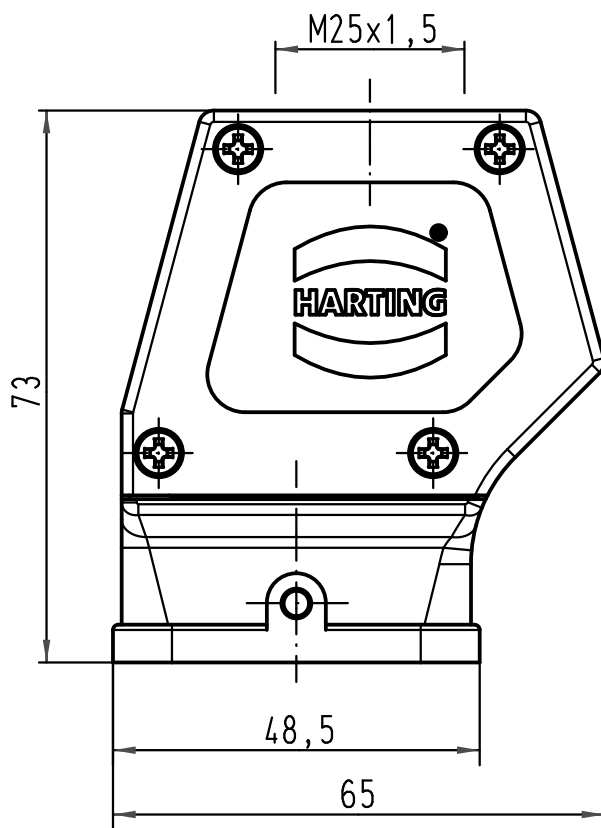
1 2 3 4 5 6

A

B

C

D



| | | | | | | |
|---|------|-------------------|--------------------------------|-------------|--|--|
| All Dimensions in mm Original Size DIN A 4 | | Techn. Character. | | | Nicht tolerierte Maße/Free size tolerances | |
| | | | Dat. | Name | Maßstab/Scale 1:1 | Han Compact-gg-M25 Gehäuse hohe Bauform-Metall-schwarz hood high construction-metal-black |
| | | | Detail. | 06.04.10 ML | | |
| | | | Insp. | Sch | | |
| | | | Stand. | | | |
| A | | | HARTING Electric GmbH & Co. KG | | | TB 19 12 008 0426 |
| Mod. | Dat. | Name | D-32339 Espelkamp | | | |
| Sub. f. TB 19 12 008 0426 v. 06.12.04 | | | | | | Blatt/page |

Mouser Electronics

Authorized Distributor

Click to View Pricing, Inventory, Delivery & Lifecycle Information:

[HARTING:](#)

[19120080426](#)