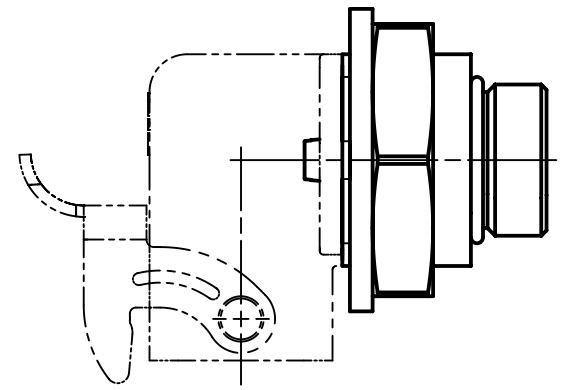



example of assembling 1:1



	All rights reserved Department EL PD - DE	All Dimensions in mm Original Size DIN A4		Scale 2:1	Free size tol.	Ref.	
		Created by RULLKOETTER	Inspected by BERGHORN	Standardisation TIEMANNA	Date 2013-11-15	State Final Release	
HARTING Electric GmbH & Co. KG D-32339 Espelkamp		Title Adapter for Han 3A - M20x1.5				Doc-Key / ECM-Nr. 100131820/UGD/006/A 500000068499	
		Type TB	Number 19 20 000 9962			Rev. A	Page 1/1

# Mouser Electronics

Authorized Distributor

Click to View Pricing, Inventory, Delivery & Lifecycle Information:

[HARTING:](#)

[19200009962](#)