

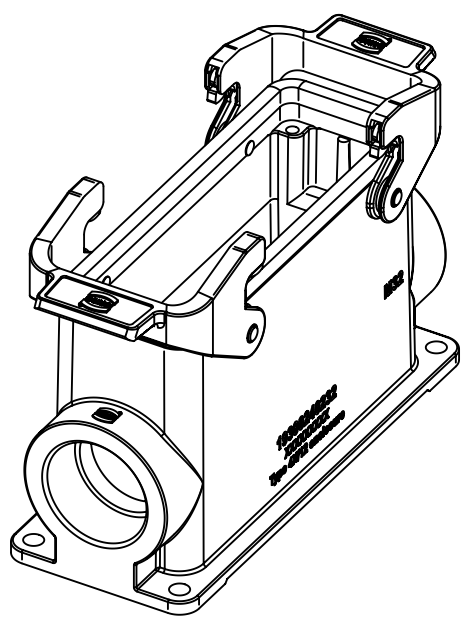
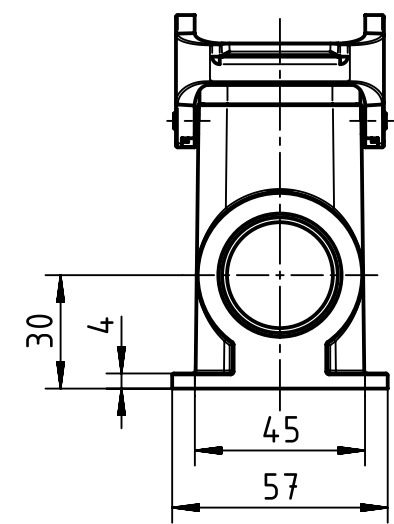
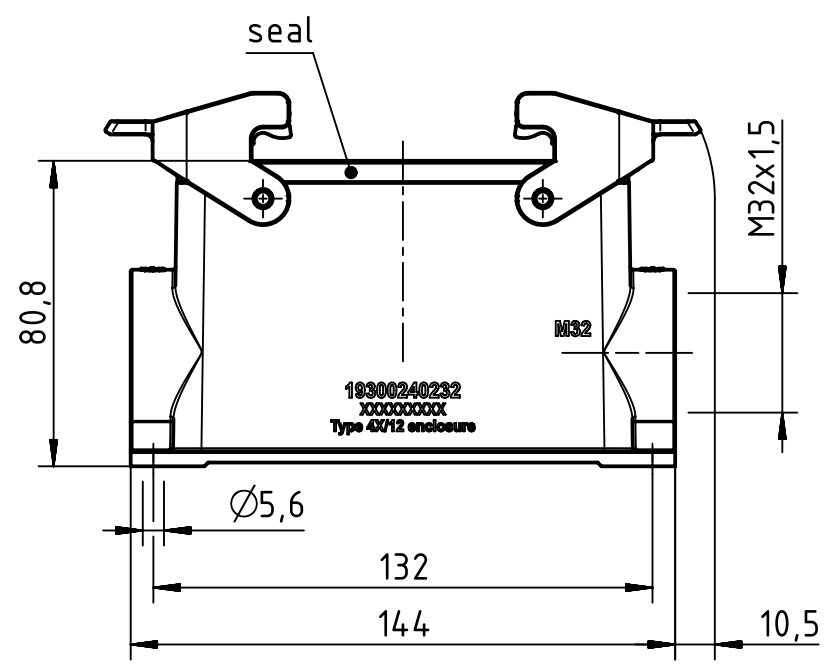
1 2 3 4 5 6

A

B

C

D



	All Dimensions in mm Original Size DIN A4		Scale 1:2	Free size tol.		Ref. Sub. TB 19 30 024 0232 v. 04.03.11	
		All rights reserved	Created by RULLKOETTER	Inspected by BERGHORN	Standardisation SCHMIDTM	Date 2016-06-27	State Final Release
Department EL PD		Title Han B Base Surface HC 2 Levers 1 x M32				Doc-Key / ECM-Nr. 100205786/UGD/004/A 500000104272	
HARTING Electric GmbH & Co. KG D-32339 Espelkamp		Type TB	Number 19 30 024 0232			Rev. A	Page 1/1

Mouser Electronics

Authorized Distributor

Click to View Pricing, Inventory, Delivery & Lifecycle Information:

[HARTING:](#)

[19300240232](#)