

**PLEASE CHECK WWW.MOLEX.COM FOR LATEST PART INFORMATION**

**Part Number:** [0734152121](#)  
**Status:** **Active**  
**Overview:** [MMCX RF Connectors](#)  
**Description:** 50 Ohms, MMCX Vertical Plug, PCB, Plating Per Commercial Requirements, Bulk

**Documents:**

[3D Model](#) [Drawing \(PDF\)](#)  
[3D Model \(PDF\)](#) [RoHS Certificate of Compliance \(PDF\)](#)

**General**

Product Family RF/Coax Connectors  
 Series [73415](#)  
 Overview [MMCX RF Connectors](#)  
 Product Name MMCX  
 Style PCB  
 Type Microminiature  
 UPC 822350561457  
 Wire/Cable Type N/A

**Physical**

Gender Plug  
 Keying to Mating Part None  
 Net Weight 0.254/g  
 Orientation Straight  
 PCB Mounting Through Hole  
 PCB Thickness - Recommended 2.40mm  
 Packaging Type Bag  
 Panel Mount No  
 Panel Mount Method N/A  
 Reverse Polar No

**Electrical**

Frequency 6 GHz  
 Impedance 50Ω  
 Power / Voltage VOLTAGE: 170 Vrms@Sea Level

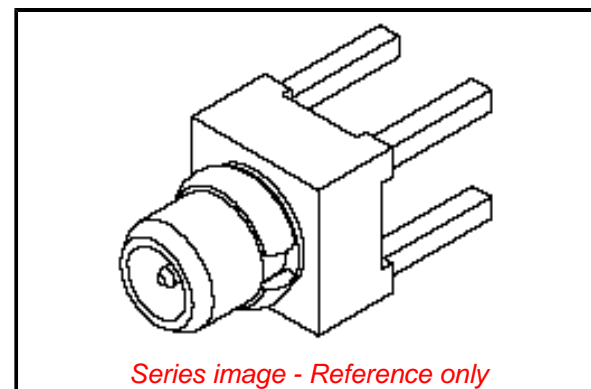
**Solder Process Data**

Duration at Max. Process Temperature (seconds) 005  
 Lead-freeProcess Capability SMC&WAVE  
 Max. Cycles at Max. Process Temperature 002  
 Process Temperature max. C 260

**Material Info**

**Reference - Drawing Numbers**

Sales Drawing SD-73415-212



**EU ELV**

**Not Relevant**

**EU RoHS**

**Compliant with Exemption 6(c)**

**REACH SVHC**

Contained Per -  
 D(2020)4578-DC (25  
 June 2020)  
 lead  
 1,3-propanesultone  
 diisohexyl phthalate  
 Tris(4-nonylphenyl,  
 branched and linear)  
 phosphi  
 Pyrene  
 Perfluorononan-1-  
 oic acid  
 (2,2,3,3,4,4,5,5,6,6,7  
 Perfluorohexane-1-  
 sulphonic acid and its  
 salts

**Halogen-Free**

**Status**

**Low-Halogen**

For more information, please visit [Contact US](#)

China ROHS	50 Image
ELV	Not Relevant
RoHS Phthalates	Not Contained

**Search Parts in this Series**  
[73415 Series](#)