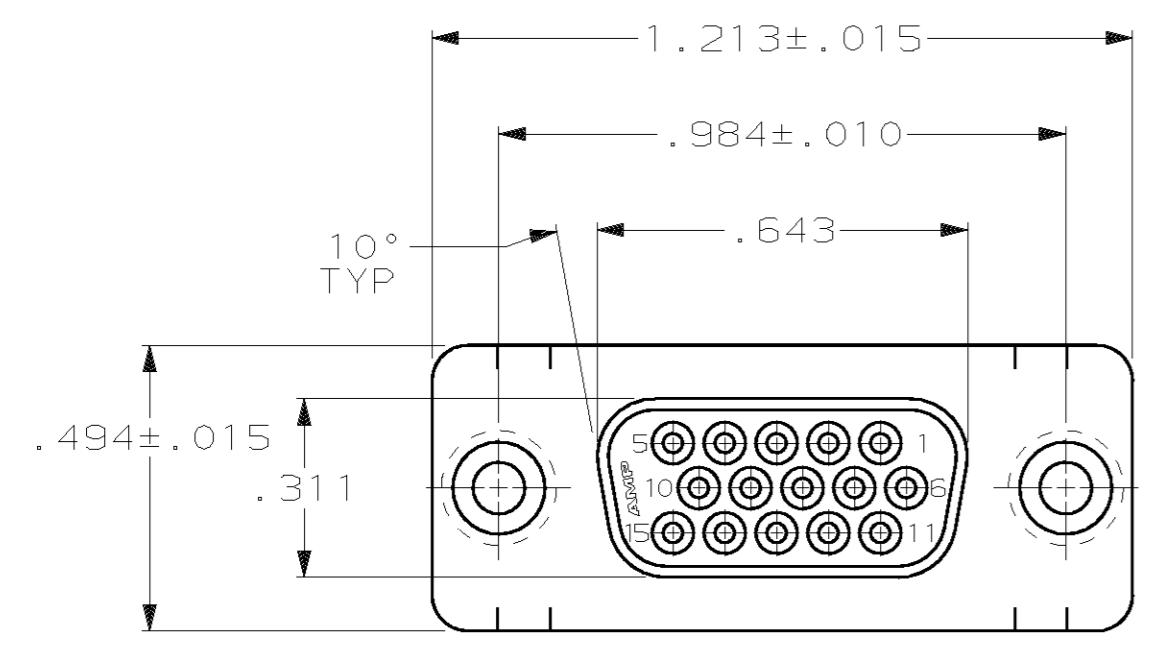
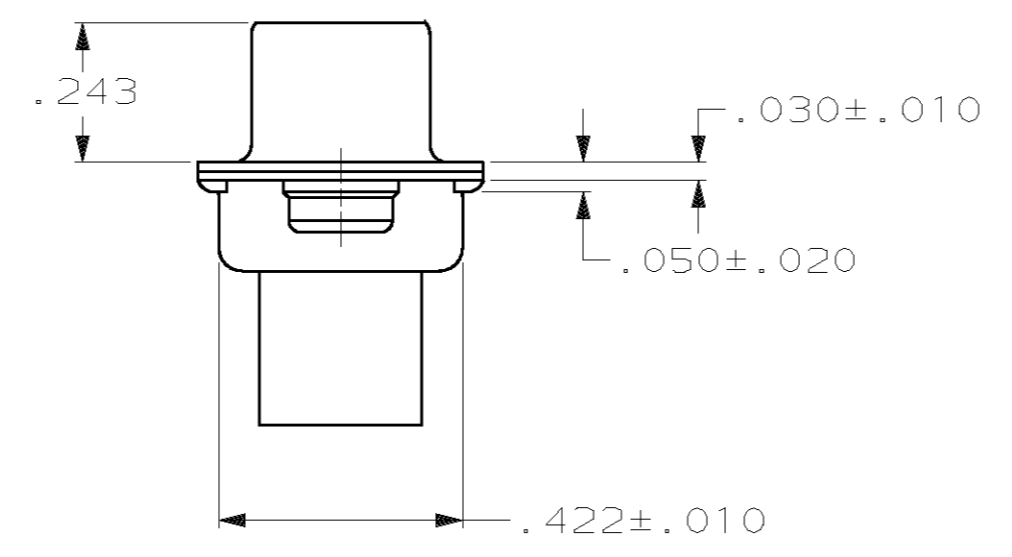
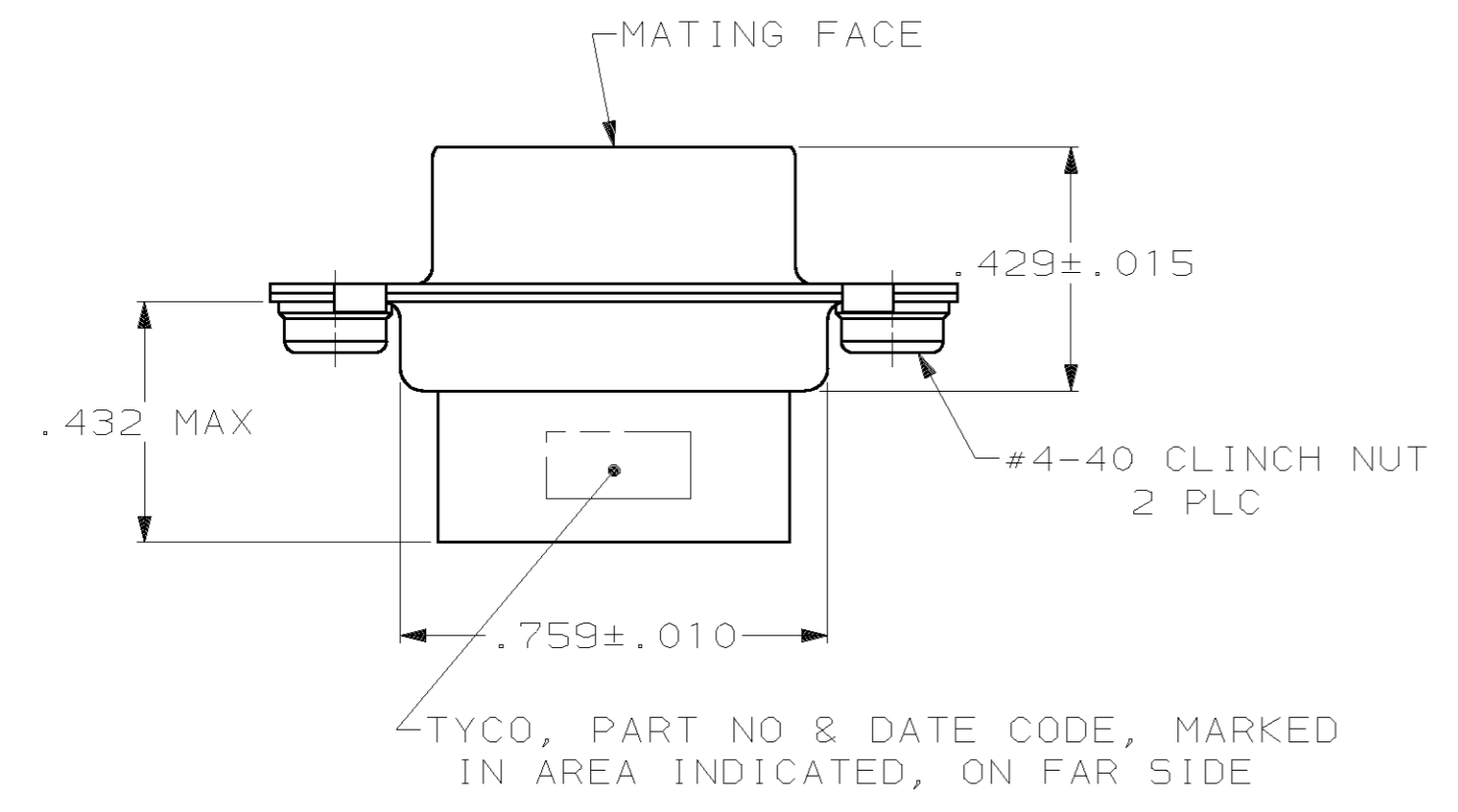


THIS DRAWING IS UNPUBLISHED. RELEASED FOR PUBLICATION
 BY AMP INCORPORATED. ALL RIGHTS RESERVED.

LOC	DIST	REVISIONS			
P	LTR	DESCRIPTION	DATE	DWN	APVD
GP	00	0	RELEASED PER EC 0513-0209-03	02JAN04	LB SB



- 1. CONNECTOR ACCEPTS 22 DF SOCKET CONTACTS, RETENTION TINES ARE AN INTEGRAL PART OF INSERT.
- ② FLAME RETARDANT 94V-0 RATED GLASS FILLED NYLON, COLOR: BLACK.
- ③ CARBON STEEL.
- ④ .000200 MIN. TIN PLATE OVER .000100 MIN. COPPER UNDERPLATE.
- ⑤ CLEAR CHROMATE OVER ZINC PLATE.



1658690-1
PART NUMBER

THIS DRAWING IS A CONTROLLED DOCUMENT.		DWN L. BAUM 02JAN04	AMP Incorporated Harrisburg, PA 17105-3608	
DIMENSIONS: INCH		CHK S. BOLASH 02JAN04	NAME	
TOLERANCES UNLESS OTHERWISE SPECIFIED:		APVD M. WALMSLEY 02JAN04	PRODUCT SPEC	
0 PLC ±-		108-1268		
1 PLC ±-		APPLICATION SPEC		
2 PLC ±-		114-10001		
3 PLC ±.005		WEIGHT		
4 PLC ±-		-		
ANGLES ±2°		SCALE 3:1 SHEET 1 OF 1 REV 0		
MATERIAL	FINISH	CUSTOMER DRAWING		
MOLDED PARTS: ②	SHELLS: ③	A2 00779 C- 1658690		
SHELLS & CLINCH NUTS: ④	CLINCH NUTS: ⑤	RESTRICTED TO		

Mouser Electronics

Authorized Distributor

Click to View Pricing, Inventory, Delivery & Lifecycle Information:

[TE Connectivity:](#)

[1658690-1](#)