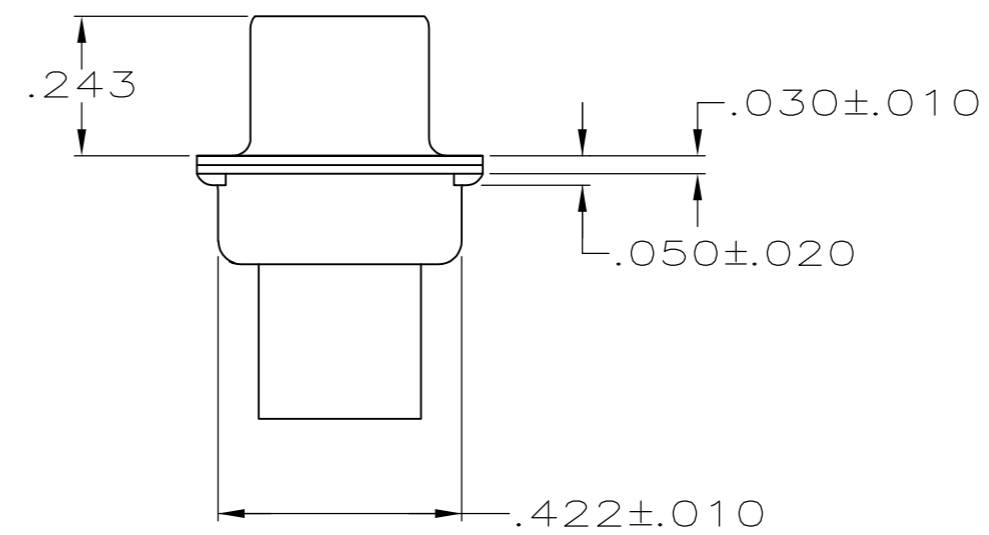
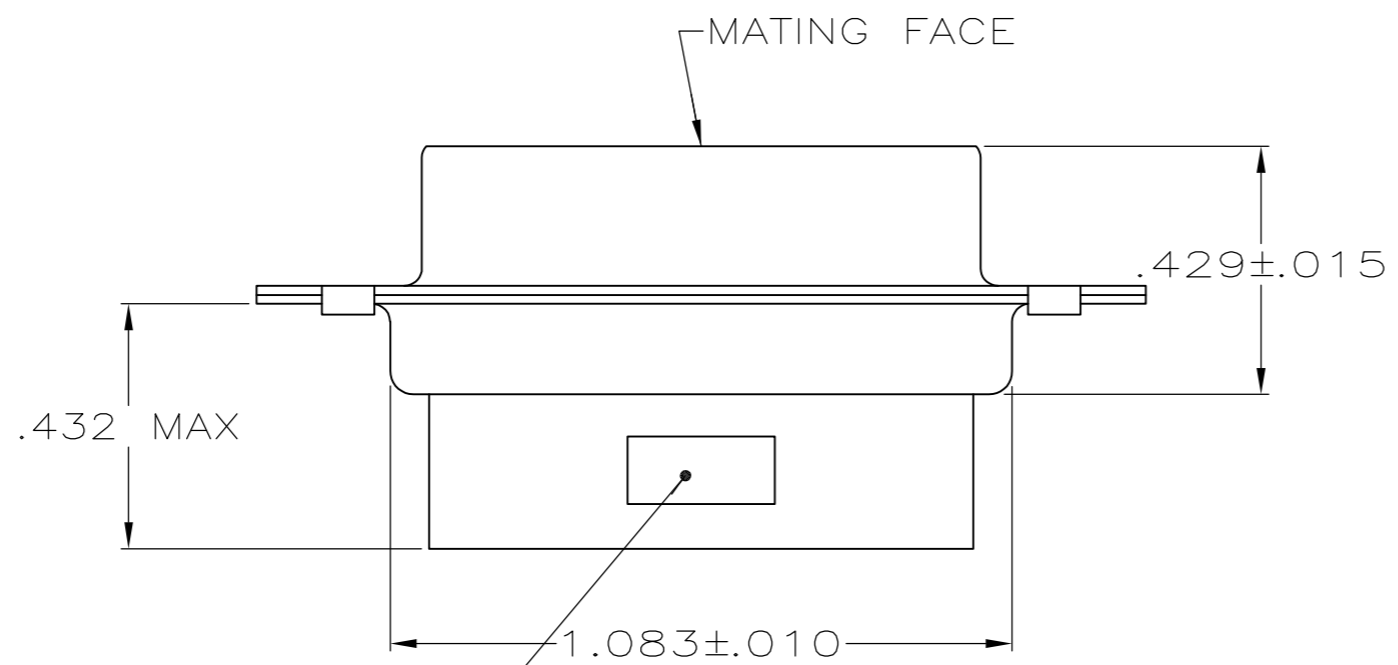
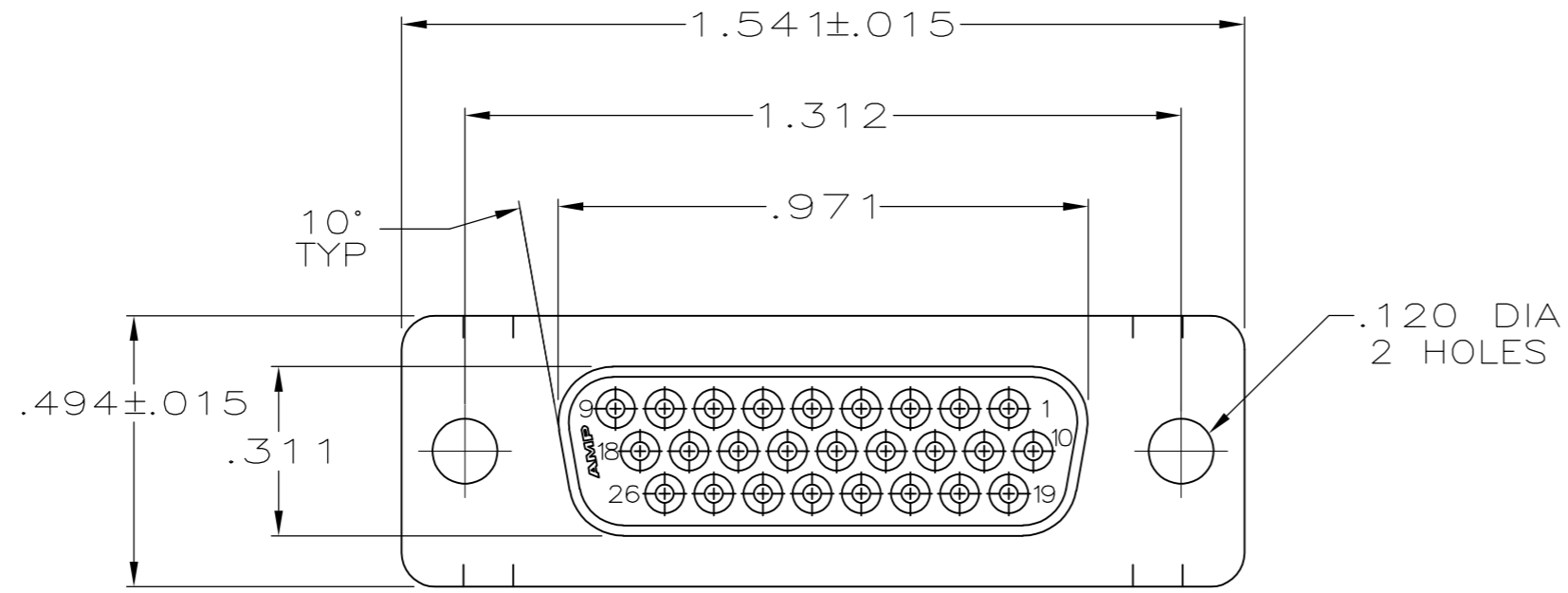


THIS DRAWING IS UNPUBLISHED. RELEASED FOR PUBLICATION
 © COPYRIGHT - By - ALL RIGHTS RESERVED.

LOC		DIST		REVISIONS			
P	LTR	DESCRIPTION		DATE	DWN	APVD	
GP	00	P		REVISED PER ECO-11-004835	11MAR11	RK	HMR



TYCO, PART NO & DATE CODE, MARKED IN AREA INDICATED, ON FAR SIDE

- 1. CONNECTOR ACCEPTS 22 DF SOCKET CONTACTS, RETENTION TINES ARE AN INTEGRAL PART OF INSERT.
- 2. FLAME RETARDANT 94V-0 RATED GLASS FILLED NYLON, COLOR: BLACK.
- 3. CARBON STEEL.
- 4. .000200 MIN. TIN PLATE OVER .000100 MIN. COPPER UNDERPLATE.

1658682-1
PART NUMBER

THIS DRAWING IS A CONTROLLED DOCUMENT.		DWN L. BAUM 02JAN04	TE TE Connectivity	
DIMENSIONS: INCHES		CHK S. BOLASH 02JAN04		
TOLERANCES UNLESS OTHERWISE SPECIFIED:		APVD M. WALMSLEY 02JAN04	NAME RECEPTACLE ASSEMBLY, SIZE 2, 26 POSN, HDP-22, AMPLIMITE®	
0 PLC ± -		PRODUCT SPEC 108-1268	SIZE CAGE CODE DRAWING NO RESTRICTED TO	
1 PLC ± -		APPLICATION SPEC 114-10001	A2 00779 C=1658682	
2 PLC ± -		WEIGHT -	SCALE 3:1 SHEET 1 of 1 REV P	
3 PLC ± .005		CUSTOMER DRAWING		
4 PLC ± -				
ANGLES ± 2°				
MATERIAL MOLDED PARTS: SHELLS: △		FINISH SHELLS: △		

Mouser Electronics

Authorized Distributor

Click to View Pricing, Inventory, Delivery & Lifecycle Information:

[TE Connectivity:](#)

[1658682-1](#)