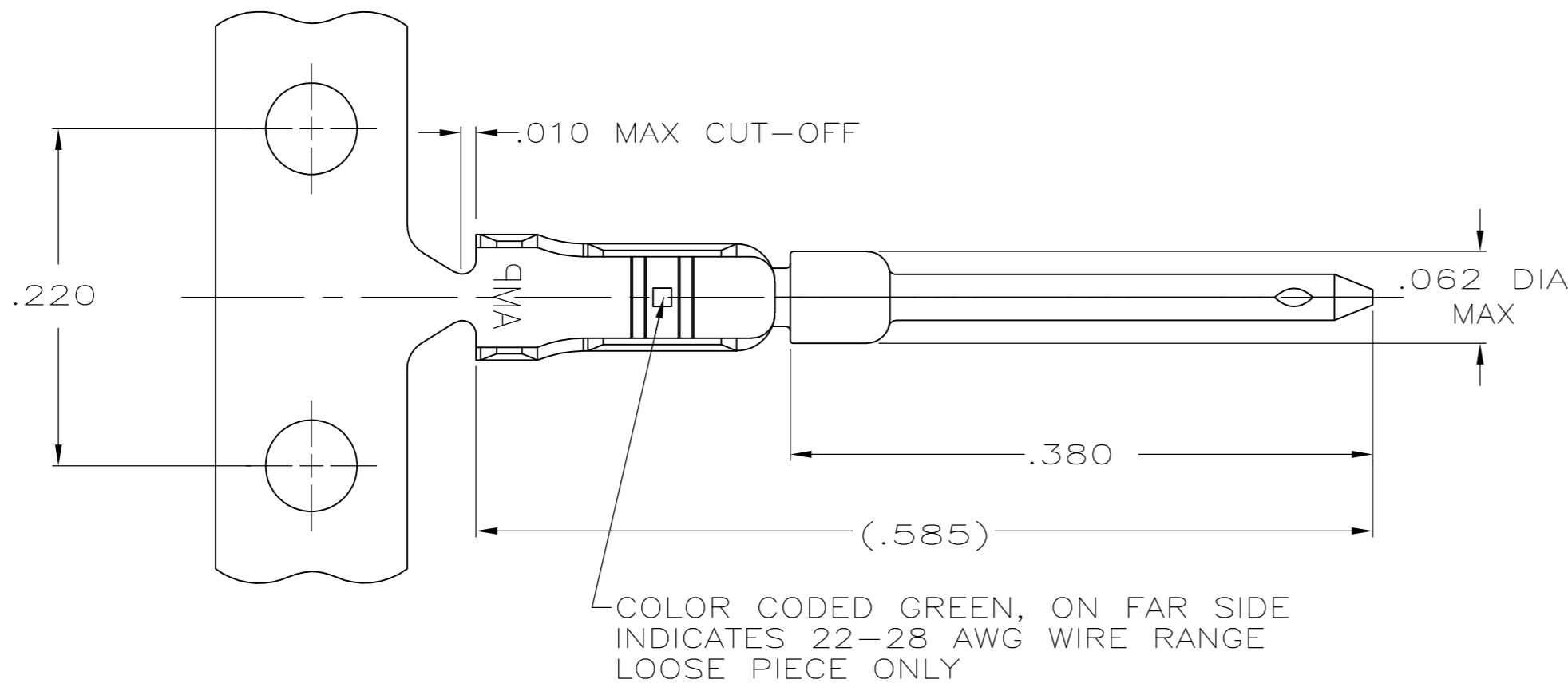
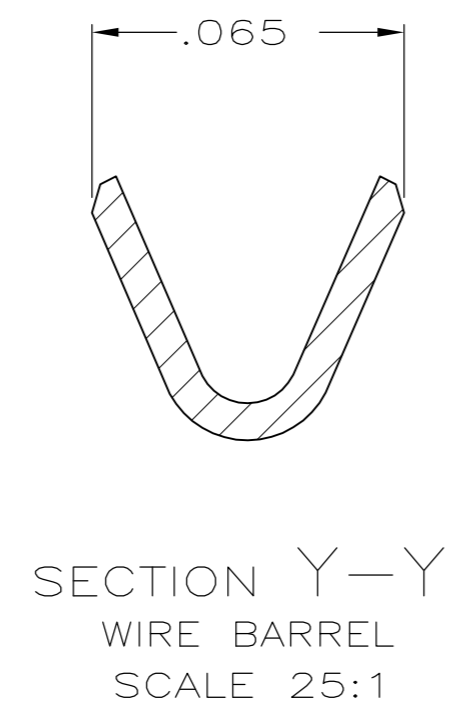
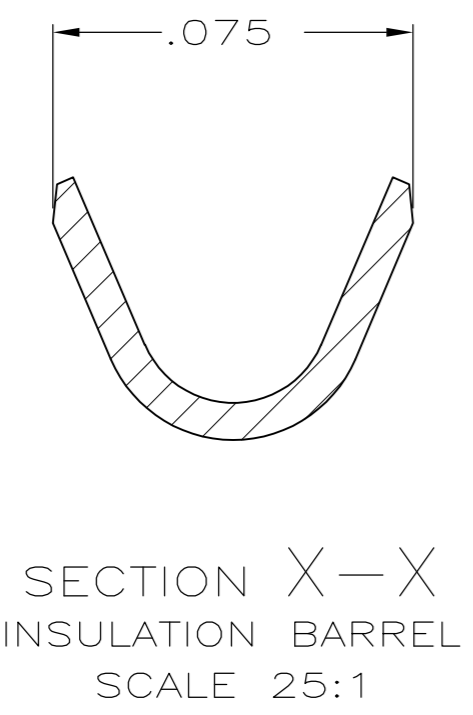
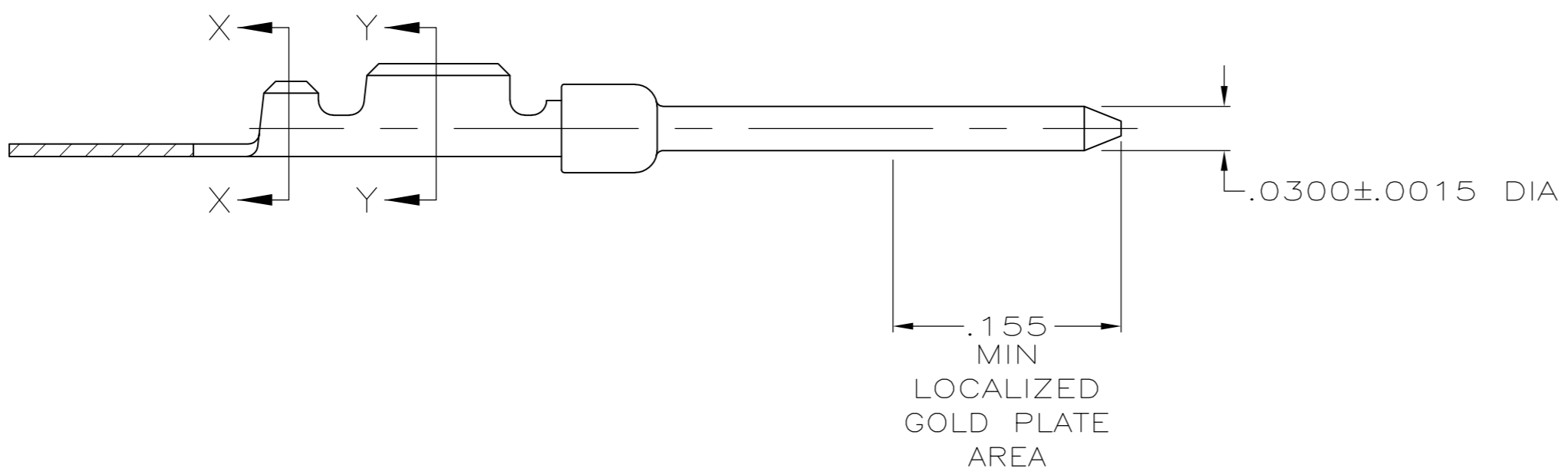


THIS DRAWING IS UNPUBLISHED. RELEASED FOR PUBLICATION
 © COPYRIGHT - By - ALL RIGHTS RESERVED.

| LOC | DIST | REVISIONS | | | | | |
|-----|------|-----------|-----|---------------------------|---------|-----|------|
| GP | 00 | P | LTR | DESCRIPTION | DATE | DWN | APVD |
| | | C1 | | REVISED PER ECO-11-004835 | 11MAR11 | RK | HMR |



- 1 FOR MINI APPLICATOR.
- 2 FOR HAND TOOL USE ONLY.
- 3. WIRE RANGE OF 22-28, INSULATION RANGE OF .030-.040.
- 4 .000050 MIN NICKEL UNDERPLATE ON ENTIRE CONTACT. .000100 MIN TIN ON WIRE AND INSULATION BARRELS, .000030 MIN GOLD ON LOCALIZED GOLD PLATE AREA.
OR
.000050 MIN NICKEL UNDERPLATE ON ENTIRE CONTACT. .000100 MIN TIN ON WIRE AND INSULATION BARRELS, GOLD FLASH OVER PALLADIUM-NICKEL, .000030 MIN TOTAL IN LOCALIZED GOLD PLATE AREA.
- 5 GOLD FLASH IN LOCALIZED GOLD PLATE AREA, .000100 MIN TIN IN WIRE & INSULATION BARRELS, BOTH OVER .000050 MIN NICKEL UNDERPLATE.
- 6 SMALL PACK PACKAGING.



| FINISH | USE | TYPE | PART NUMBER |
|--------|-----|-------------|-------------|
| 4 | 2 | LOOSE PIECE | 1658670-5 |
| 5 | 2 | LOOSE PIECE | 1658670-4 |
| 5 | 1 | STRIP | 1658670-3 |
| 4 | 2 | LOOSE PIECE | 1658670-2 |
| 4 | 1 | STRIP | 1658670-1 |

THIS DRAWING IS A CONTROLLED DOCUMENT.

| | | |
|------------------|-------------------|----------|
| DWN | L. VARELA - DOCK5 | 11-17-04 |
| CHK | J. GERACE | 11-17-04 |
| APVD | M. WALMSLEY | 11-17-04 |
| PRODUCT SPEC | 108-1268 | |
| APPLICATION SPEC | 114-10001 | |
| WEIGHT | - | |
| CUSTOMER DRAWING | | |

STE TE Connectivity

PIN CONTACT, 22-28 AWG, 22 DF, AMPLIMITE

| | | | | | | | |
|-------|------|-----------|--------|------------|-----------|---------------|---|
| SIZE | A2 | CAGE CODE | 00779 | DRAWING NO | C=1658670 | RESTRICTED TO | - |
| SCALE | 10:1 | SHEET | 1 of 1 | REV | C1 | | |

Mouser Electronics

Authorized Distributor

Click to View Pricing, Inventory, Delivery & Lifecycle Information:

[TE Connectivity:](#)

[1658670-2](#)