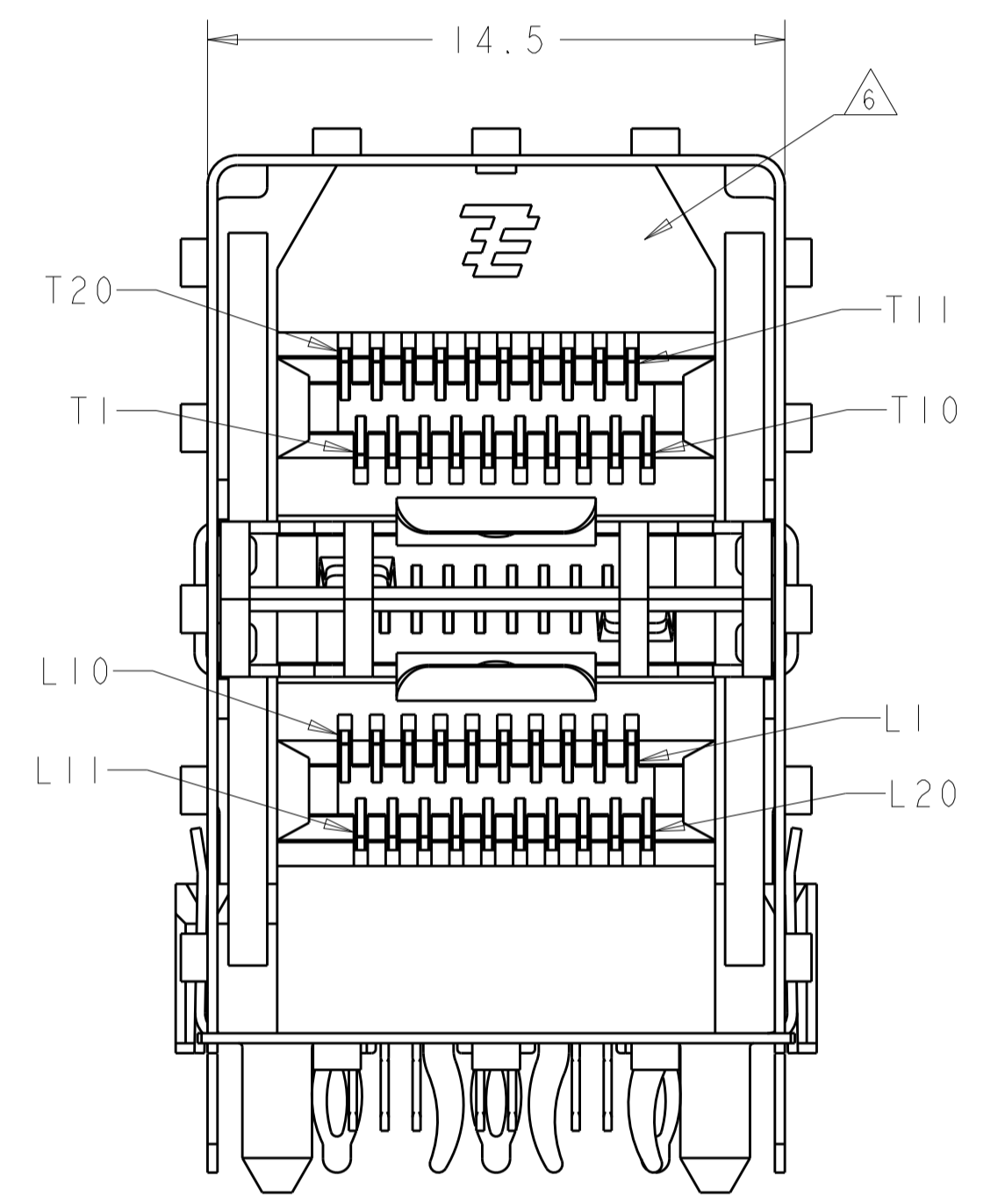
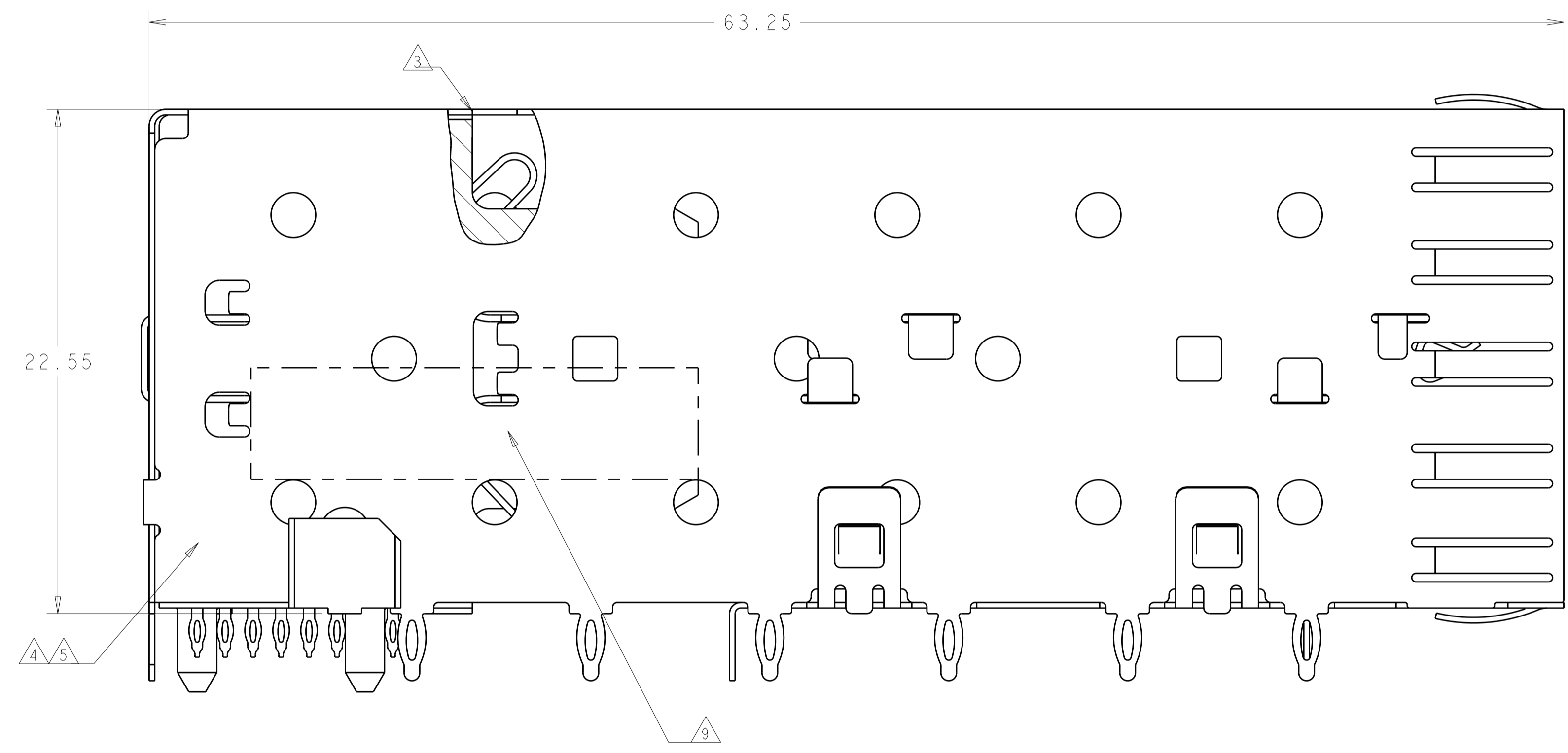
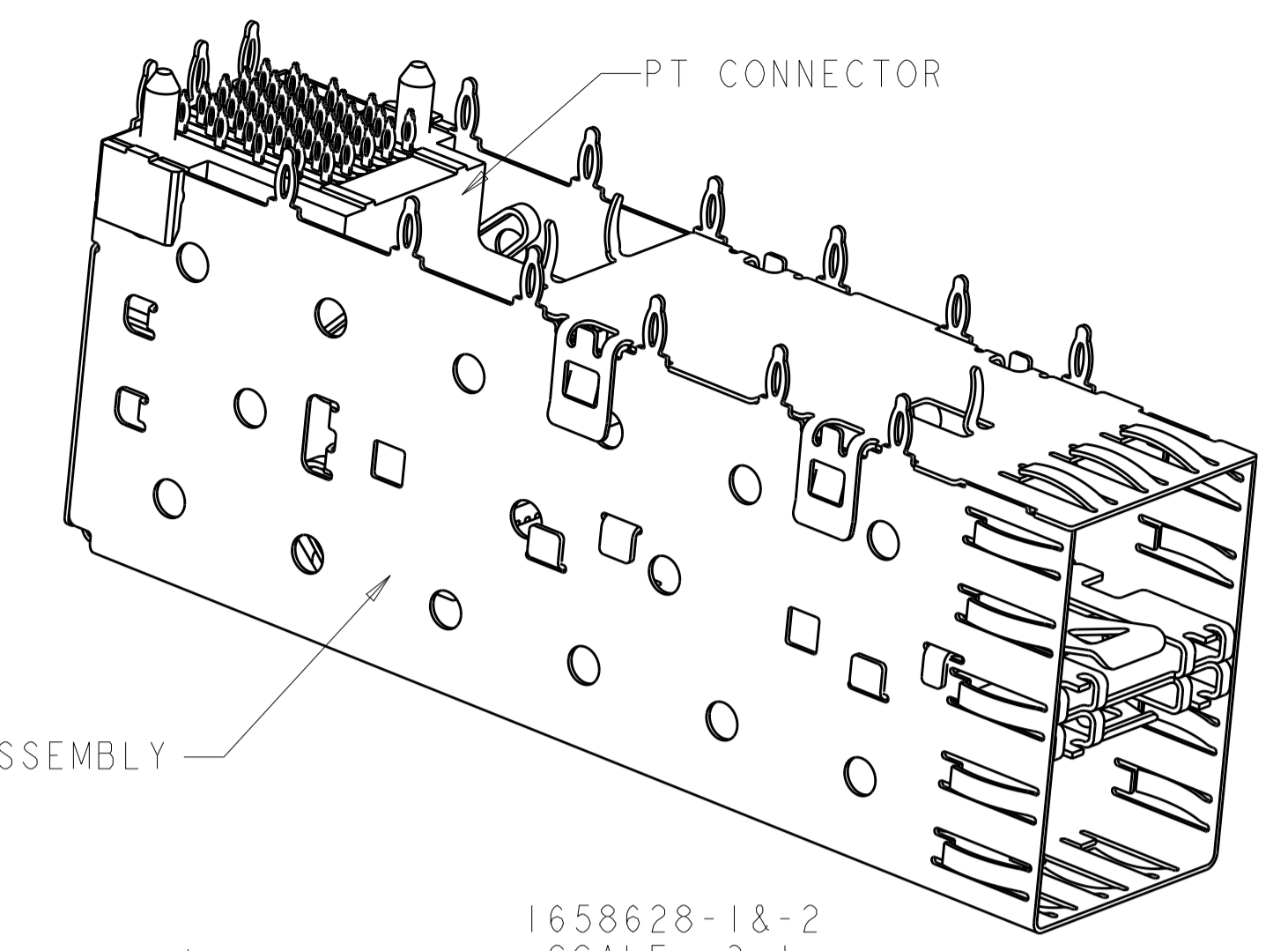
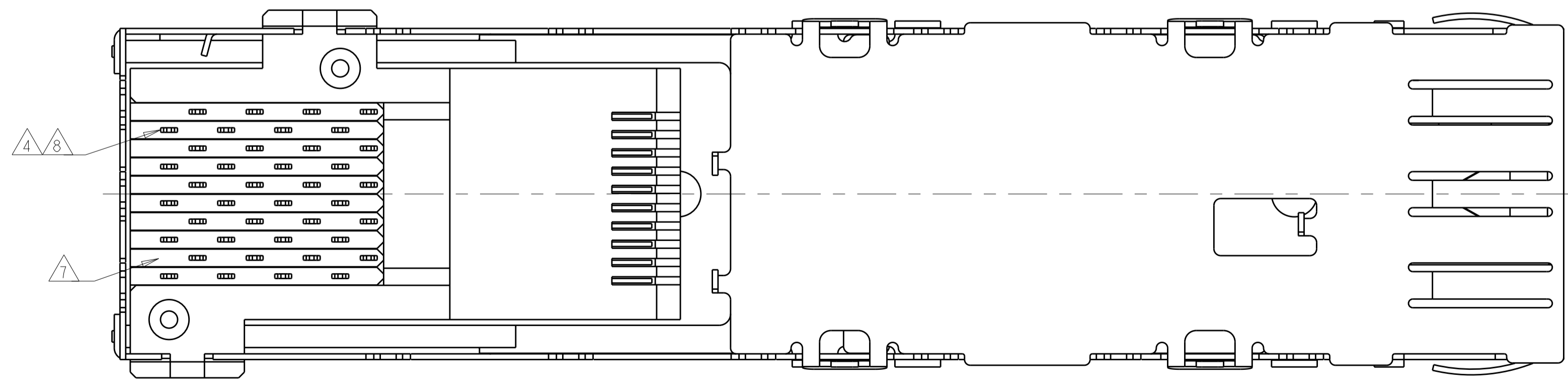


LOC	DIST	REVISIONS					
		P	LTN	DESCRIPTION	DATE	DWN	APVD
ES	00	F1		REVISED PER ECO-11-005033	18MAR2011	RK	HMR
		G		REVISED PER ECO-14-000886	20FEB2014	JW	SH
		G1		REVISED PER ECO-14-010419	11JUL2014	JW	SH
		H		REVISED PER ECO-15-013594	22SEP2015	JW	SH



- ① DATUM AND BASIC DIMENSION TO BE DETERMINED BY CUSTOMER.
- ② INTERPRETATION OF DATUM REFERENCE FRAME IN ACCORDANCE WITH SECT 4.4.1.1 OF ASME Y14.5M-1994.
- ③ TOP OF PT CONNECTOR TO BE 0-0.15 FROM INSIDE SURFACE OF CAGE.
- ④ COPPER ALLOY.
- ⑤ 1.25umMIN TIN PER ASTM B 545 OVER NICKEL FLASH PER QQ-N-290. NON-PLATED EDGES PERMISSIBLE.
- ⑥ LCP, HIGH TEMPERATURE, UL 94V-0 RATED, BLACK.
- ⑦ POLYESTER, UL 94V-0 RATED, BLACK.
- ⑧ CONTACT MATING AREA: SURFACE TREATMENT OVER 0.76um MIN GOLD PER ASTM B 488 OVER 1.27um MIN NICKEL PER QQ-N-290. NEEDLE EYE: 1.25um MIN TIN PER ASTM B 545 OVER 1.27um MIN NICKEL PER QQ-N-290. REMAINDER OF CONTACT: 0.76um MIN NICKEL PER QQ-N-290.
- ⑨ DATE CODE AND PART NUMBER IN APPROXIMATE AREA SHOWN.
- ⑩ MATERIAL: NICKEL SILVER ALLOY(NO PLATING)



SUPERSEDED BY:
1658628-2

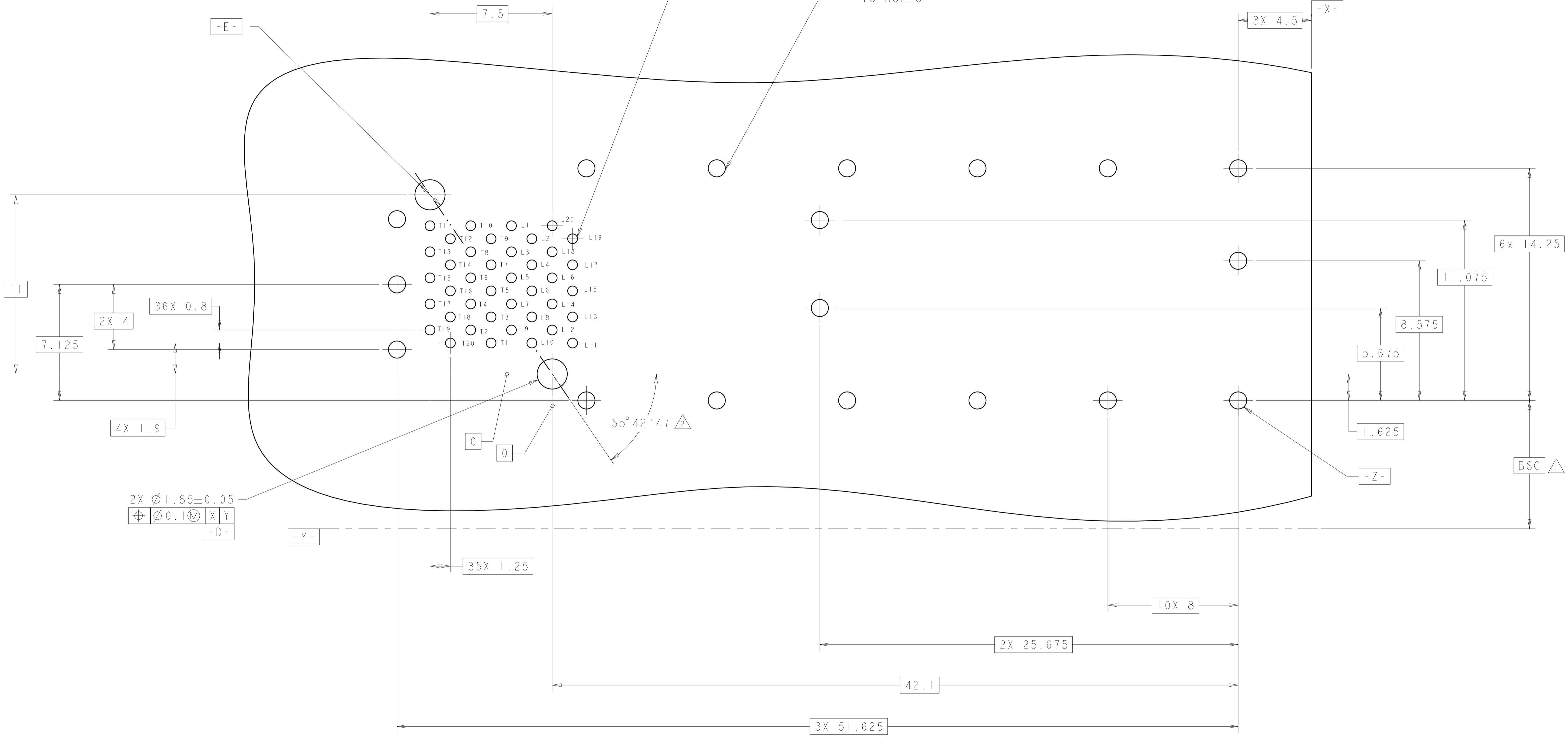
CONNECTOR FINISH	CONNECTOR MATERIAL	CAGE FINISH	CAGE MATERIAL	PART NUMBER
⑧	④, ⑤, ⑦	⑤	⑥, ⑦, ⑩	1658628-2
NO				1658628-1

THIS DRAWING IS A CONTROLLED DOCUMENT.		DWN	17APR03	TE Connectivity	
DIMENSIONS:		CHK	R. HENRY	NAME	
TOLERANCES UNLESS OTHERWISE SPECIFIED:		APVD	J. KOPPENHEFFER	CAGE AND PT CONNECTOR ASSEMBLY, 2x1, PRESS FIT, LOW PROFILE, SFP	
mm	0 PLC ±	PRODUCT SPEC	M. WALMSLEY	SIZE	CAGE CODE DRAWING NO
	1 PLC ±0.1	APPLICATION SPEC		A100779	1658628
	2 PLC ±	WEIGHT		SCALE	6:1
	3 PLC ±	Customer Drawing		SHEET	1 OF 3
	4 PLC ±			REV	H
	ANGLES ±				
MATERIAL FINISH					

LOC	DIST	REVISIONS			
P	LTN	DESCRIPTION	DATE	DWN	APVD
ES	00	SEE SHEET 1			

THE HOLE SIZE IS RECOMMENDED ON THE
 PAGE 4 (TOP OF FIGURE2 FOR CONNECTOR)
 OF THE TE DOCUMENT 114-13103
 $\varnothing 0.08 \text{ (M)} | \text{DS} | \text{ES}$
 40 HOLES

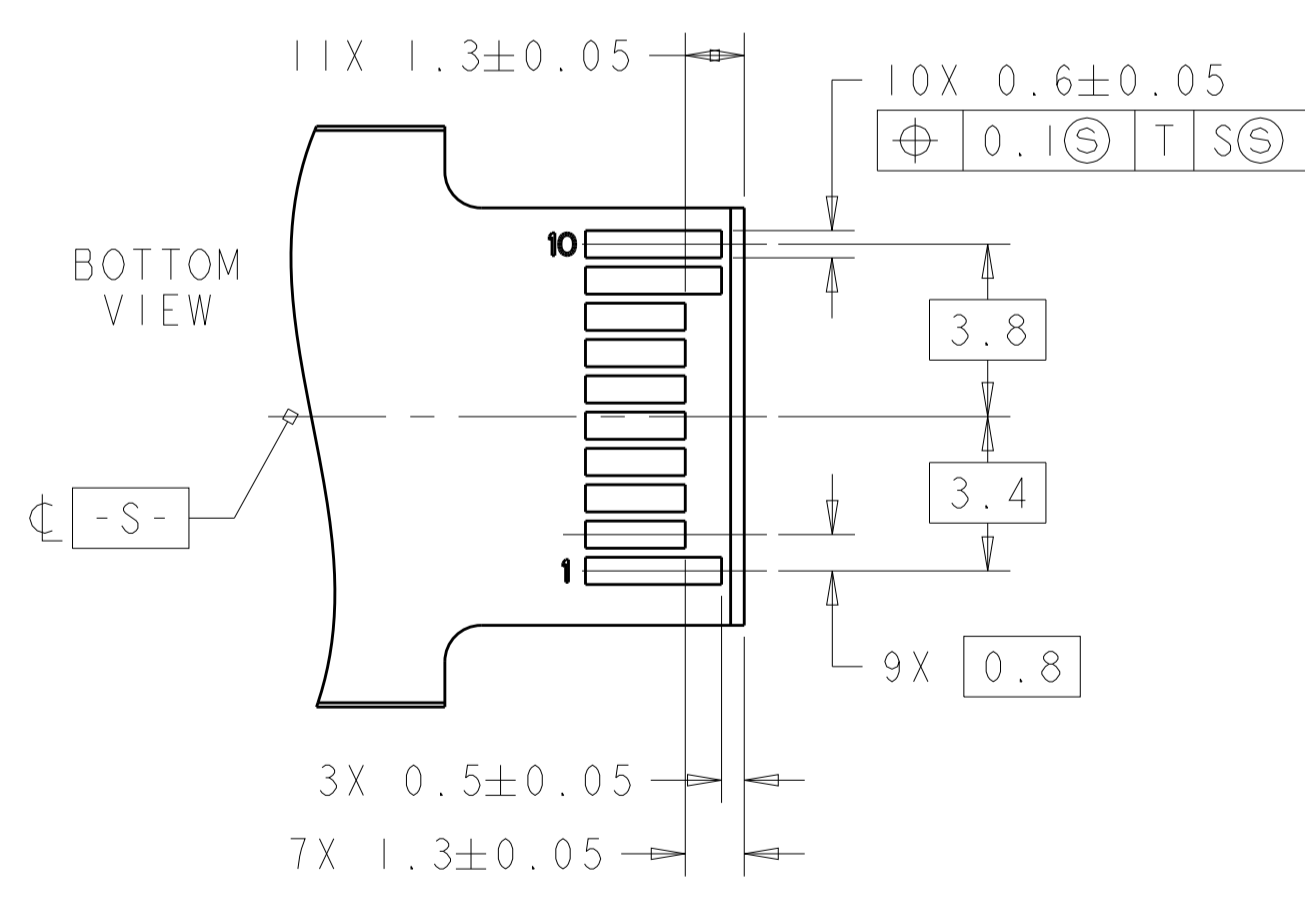
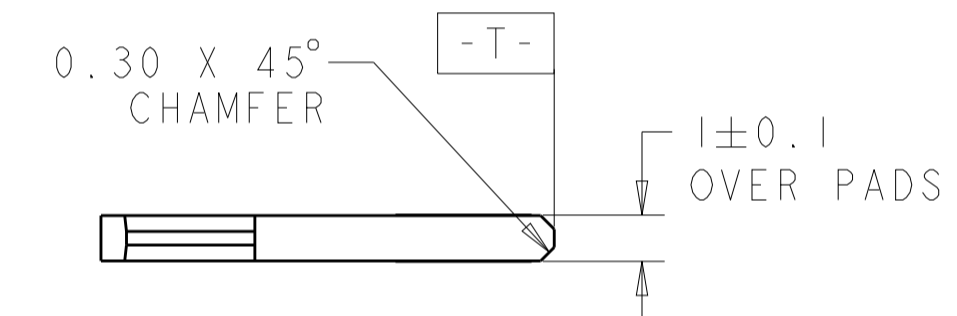
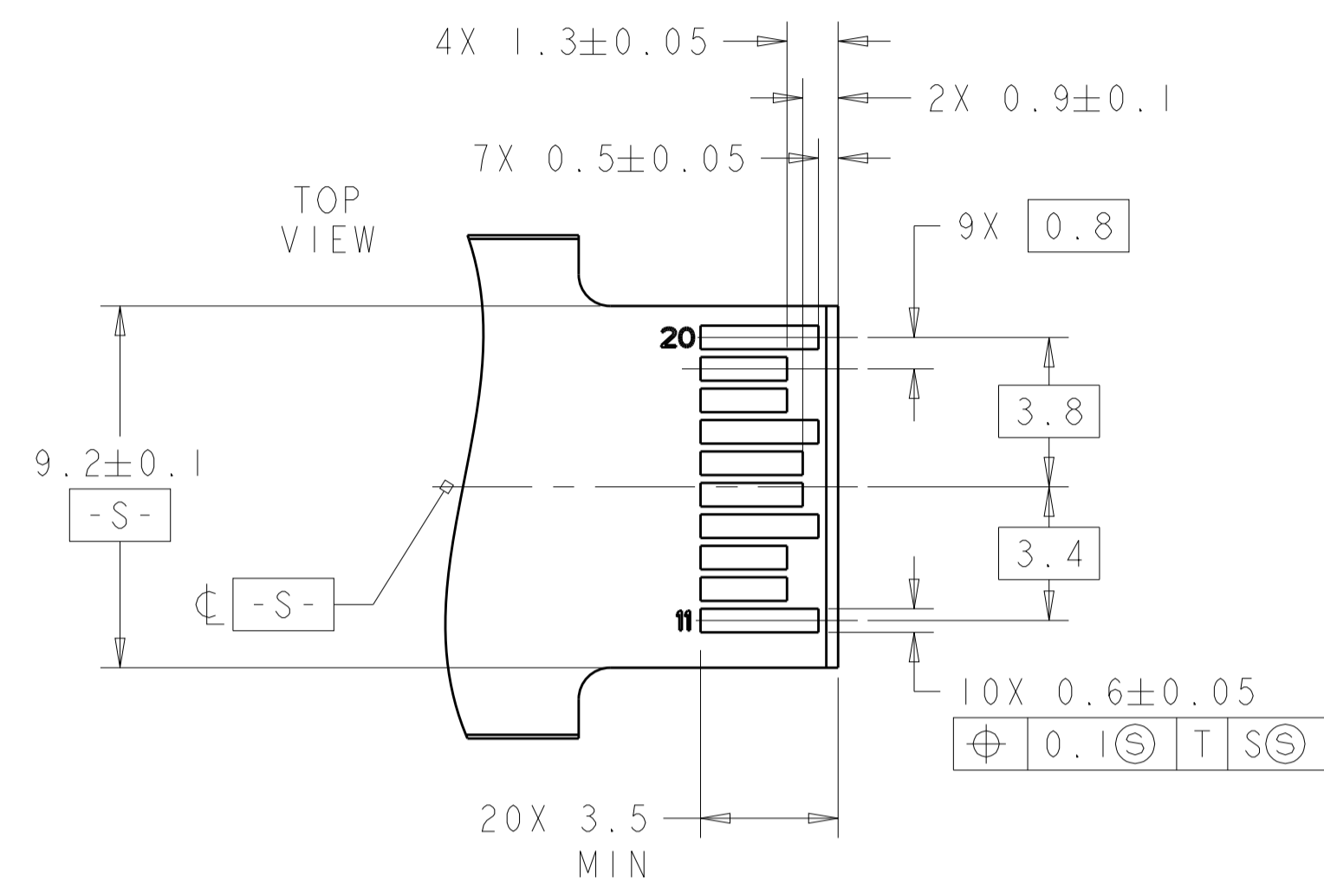
THE HOLE SIZE IS RECOMMENDED ON THE
 PAGE 4 (BOTTOM OF FIGURE2 FOR CAGE ASSEMBLY)
 OF THE TE DOCUMENT 114-13103
 $\varnothing 0.1 \text{ (M)} | \text{ZS}$
 18 HOLES



SFP HOST BOARD
 MECHANICAL LAYOUT
 SCALE 8:1

THIS DRAWING IS A CONTROLLED DOCUMENT.		DWN: R. HENRY 11APR03	TE Connectivity
DIMENSIONS: mm		CHK: J. KOPPENHEFFER 23JAN04	
TOLERANCES UNLESS OTHERWISE SPECIFIED:		APVD: M. WALMSLEY 23JAN04	NAME: CAGE AND PT CONNECTOR ASSEMBLY, 2x1, PRESS FIT, LOW PROFILE, SFP SIZE: CAGE CODE DRAWING NO RESTRICTED TO:
0 PLC ±		PRODUCT SPEC: 108-2161	
1 PLC ±0.1		APPLICATION SPEC: 114-13103	
2 PLC ±		WEIGHT: -	
3 PLC ±		Customer Drawing	SCALE: 6:1 SHEET 2 OF 3 REV H
4 PLC ±			
ANGLES ±			
FINISH			

LOC	DIST	REVISIONS					
		P.	LTN	DESCRIPTION	DATE	DWN	APVD
ES	00	-	-	SEE SHEET 1	-	-	-



RECOMMENDED LAYOUT FOR
MATING TRANSCEIVER PCB
SCALE 6:1

THIS DRAWING IS A CONTROLLED DOCUMENT.		DWN R. HENRY	11APR03		TE Connectivity
DIMENSIONS:		CHK J. KOPPENHEFFER	23JAN04		
mm	TOLERANCES UNLESS OTHERWISE SPECIFIED:	APVD M. WALMSLEY	23JAN04	NAME CAGE AND PT CONNECTOR ASSEMBLY, 2x1, PRESS FIT, LOW PROFILE, SFP	
	0 PLC ±	PRODUCT SPEC		SIZE CAGE CODE DRAWING NO RESTRICTED TO	
	1 PLC ±0.1	APPLICATION SPEC		A100779C=1658628	
	2 PLC ±	WEIGHT		SCALE 1:1 SHEET 3 OF 3 REV H	
	3 PLC ±	Customer Drawing			
	4 PLC ±				
	ANGLES ±				
MATERIAL	FINISH				

Mouser Electronics

Authorized Distributor

Click to View Pricing, Inventory, Delivery & Lifecycle Information:

[TE Connectivity:](#)

[1658628-2](#)