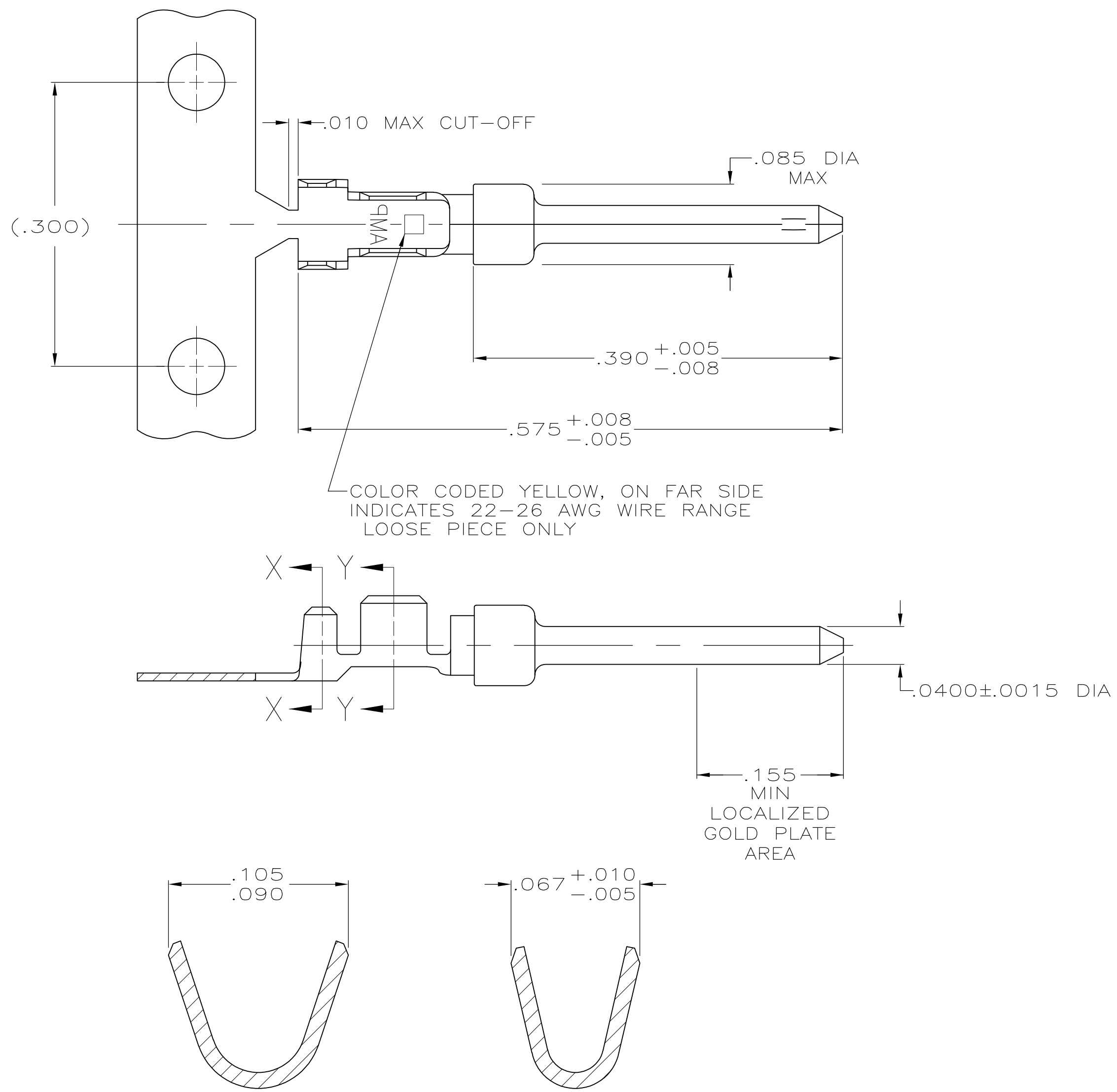


THIS DRAWING IS UNPUBLISHED. RELEASED FOR PUBLICATION
 © COPYRIGHT - By - ALL RIGHTS RESERVED.

LOC	DIST	REVISIONS					
GP	00	P	LTR	DESCRIPTION	DATE	DWN	APVD
		D1		REVISED PER ECO-11-004835	11MAR11	RK	HMR



- 1 FOR MINI-APPLICATOR.
- 2 FOR HAND TOOL USE ONLY.
- 3. WIRE RANGE OF 22-26, INSULATION RANGE OF .040-.050.
- 4. TIN PLATING MAY NOT APPEAR ON CARRIER STRIP.
- 5 GOLD PLATED IN LOCALIZED GOLD PLATE AREA AS FOLLOWS:
 .000030 MIN GOLD IN MATED AREA, .000100 MIN TIN ON WIRE BARRELS, ALL OVER .000050 MIN NICKEL UNDERPLATE.
 OR
 GOLD FLASH OVER PALLADIUM-NICKEL PLATE, .000030 MIN TOTAL IN MATED AREA, .000100 MIN TIN ON WIRE BARRELS, ALL OVER .000050 MIN NICKEL UNDERPLATE.
- 6 GOLD FLASH IN LOCALIZED GOLD PLATE AREA, .000100 MIN TIN ON WIRE BARRELS, ALL OVER .000050 MIN NICKEL UNDERPLATE.

SECTION X-X
 INSULATION BARREL
 SCALE 20:1

SECTION Y-Y
 WIRE BARREL
 SCALE 20:1

FINISH	USE	TYPE	PART NUMBER
6	2	LOOSE PIECE	1658544-4
6	1	STRIP	1658544-3
5	1	STRIP	1658544-2
5	2	LOOSE PIECE	1658544-1

THIS DRAWING IS A CONTROLLED DOCUMENT.		DWN L. VARELA - DOCK5 11-17-04	TE TE Connectivity	
DIMENSIONS: INCHES		CHK J. GERACE 11-17-04		
TOLERANCES UNLESS OTHERWISE SPECIFIED:		APVD M. WALMSLEY 11-17-04	NAME	
0 PLC ± -		PRODUCT SPEC	PIN CONTACT, 20 DF, 22-26 AWG, AMPLIMITE	
1 PLC ± -		108-40005		
2 PLC ± -		APPLICATION SPEC		
3 PLC ± .005		114-10000		
4 PLC ± -		WEIGHT -	SIZE A2	CAGE CODE 00779
ANGLES ± -		FINISH SEE TABLE	DRAWING NO C=1658544	RESTRICTED TO -
MATERIAL BRASS		CUSTOMER DRAWING	SCALE 10:1	SHEET 1 of 1
			REV D1	

Mouser Electronics

Authorized Distributor

Click to View Pricing, Inventory, Delivery & Lifecycle Information:

[TE Connectivity:](#)

[1658544-1](#)