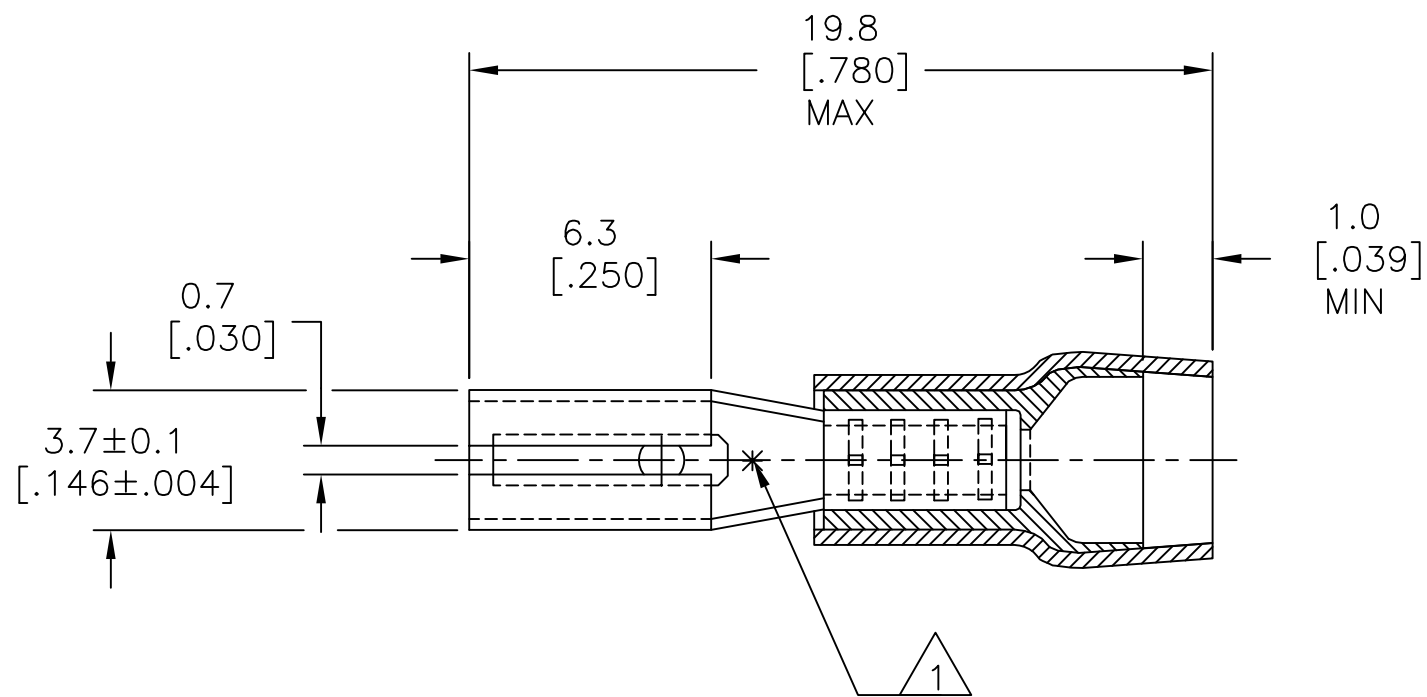
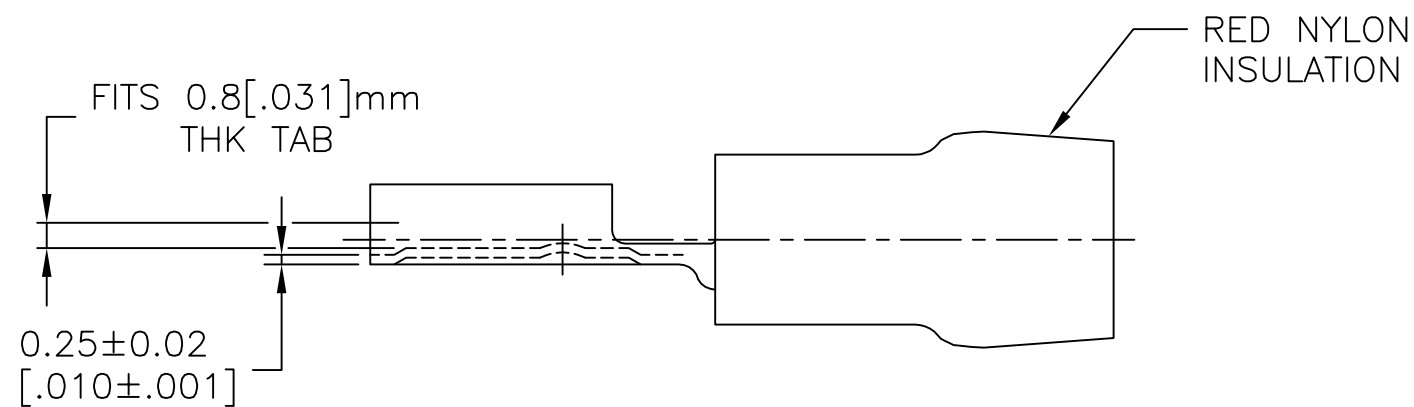


P	LTR	DESCRIPTION	DATE	DWN	APVD
	J3	REVISED PER ECO-11-004820	11MAR11	RK	HMR
	J4	REVISED PER ECO-17-002887	01SEP2017	RS	DR



AMP WIRE RANGE	AMP INSULATION RANGE
22-16 AWG 0.3-1.5 mm ²	ø.140 MAX ø3.5 MAX

- 1 ASTERISK * FOR PHOS BRONZE VERSION ONLY
- 2 NOTE DELETED.



-	SILVER	PHOS BRONZE	165566-4
-	TIN	PHOS BRONZE	165566-2
2-165566-1	TIN	BRASS	165566-1
PN ON TAPE	FINISH	MATERIAL	PART NUMBER

THIS DRAWING IS A CONTROLLED DOCUMENT.		DWN jr_ruth 15APR05	TE Connectivity		
DIMENSIONS: mm [INCHES]		CHK T MICHELUTTI 15APR05			
TOLERANCES UNLESS OTHERWISE SPECIFIED:		APVD T MICHELUTTI 15APR05	PRODUCT SPEC -		
		APPLICATION SPEC 114-1002	SIZE A3	CAGE CODE 00779	DRAWING NO C=165566
MATERIAL -		FINISH -	RESTRICTED TO -		
CUSTOMER DRAWING			SCALE 1:1	SHEET 1 OF 1	REV J4

Mouser Electronics

Authorized Distributor

Click to View Pricing, Inventory, Delivery & Lifecycle Information:

[TE Connectivity:](#)

[165566-2](#)