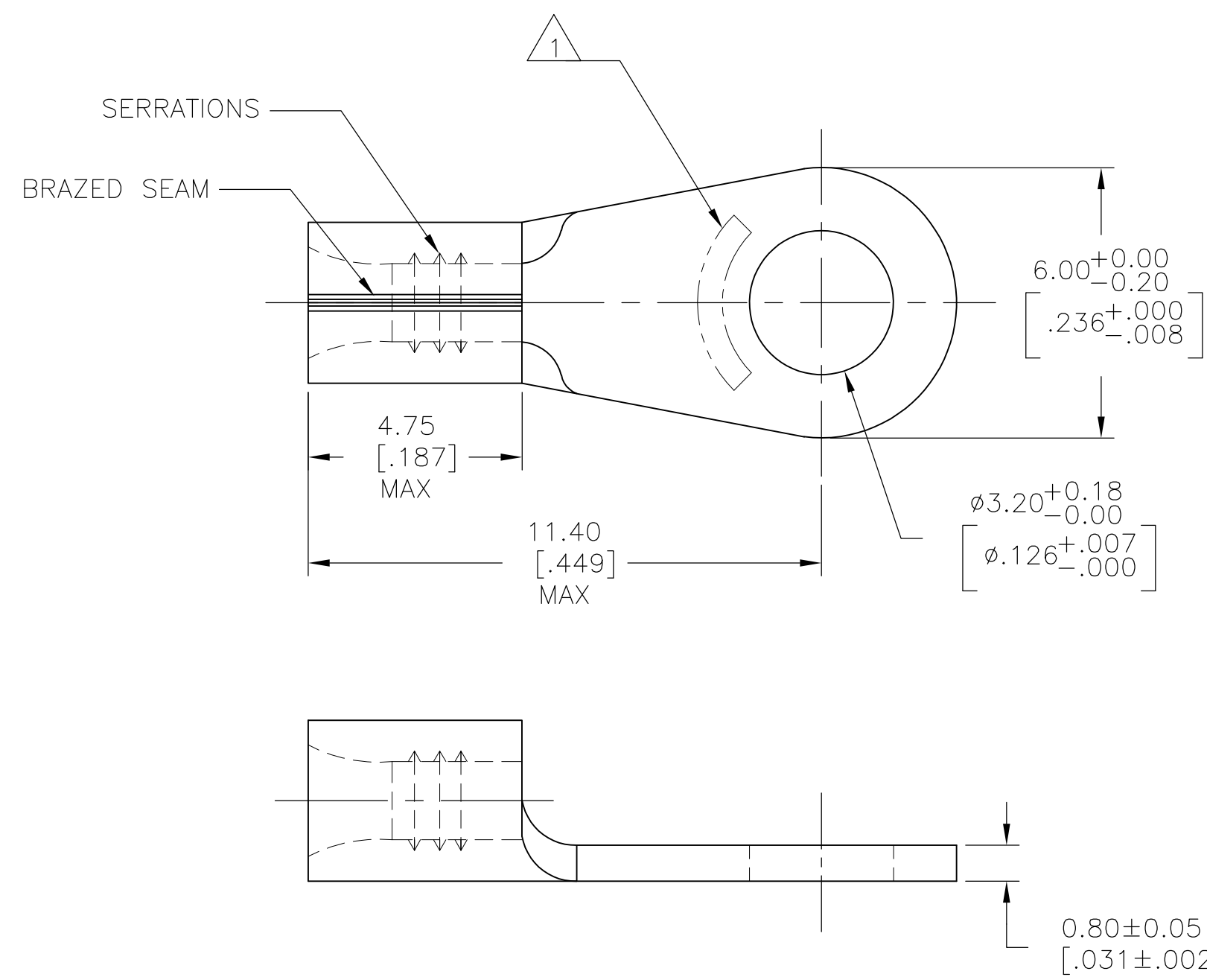


THIS DRAWING IS UNPUBLISHED. RELEASED FOR PUBLICATION
 © COPYRIGHT - By - ALL RIGHTS RESERVED.

LOC	DIST	REVISIONS					
G	01	P	LTR	DESCRIPTION	DATE	DWN	APVD
		D1		REDRAWN PER ECO-14-019282	31DEC2014	NK	DR



- 1 STAMP "AMP 3-1" APPROX AS SHOWN.
- 2 MATERIAL: COPPER PER ASTM B152, ANNEALED
- 3 FINISH: 0.0030[.000120] MIN EXT. THK. PER ASTM B545.

1000	LOOSE PIECE	165291
QTY	PACKAGE TYPE	PART NUMBER

THIS DRAWING IS A CONTROLLED DOCUMENT.		DWN NAGALAKSHMI K 24DEC2014	STE TE Connectivity	
DIMENSIONS: mm [INCHES]		CHK ROHDE DANIEL F 24DEC2014		
TOLERANCES UNLESS OTHERWISE SPECIFIED:		APVD ROHDE DANIEL F 24DEC2014	NAME RING TONGUE STUD M3	
0 PLC ± -		PRODUCT SPEC	SIZE	
1 PLC ± -		APPLICATION SPEC	CAGE CODE	
2 PLC ± -		WEIGHT	DRAWING NO	
3 PLC ± -		CUSTOMER DRAWING	RESTRICTED TO	
4 PLC ± -			SCALE	
ANGLES ± -			SHEET	
FINISH			REV	
MATERIAL			D1	
TYPE -DIN- SOLISTRAND				
WIRE RANGE 0.5-1.0 mm2 (987-1974 CMA)				

Mouser Electronics

Authorized Distributor

Click to View Pricing, Inventory, Delivery & Lifecycle Information:

[TE Connectivity:](#)

[165291](#)