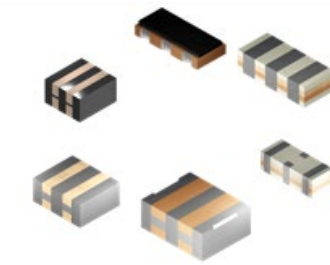


# MZTTC Series

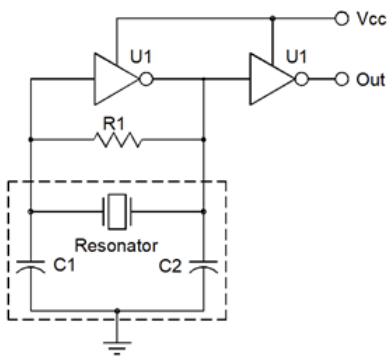


- 7 Package Options
- Ceramic SMD
- RoHS Compliant

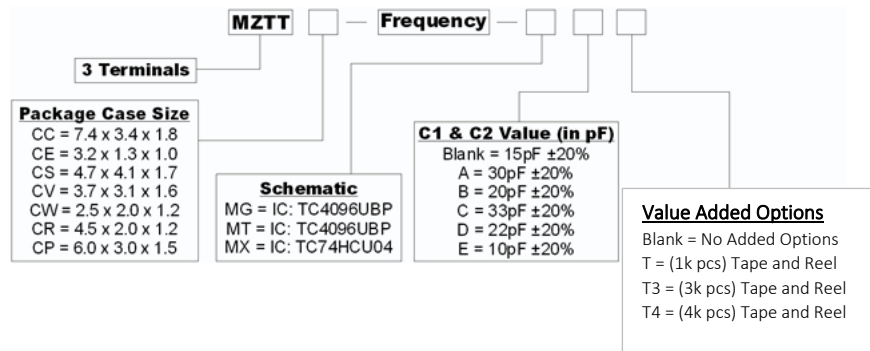


Part Number = MHz	Frequency Range	Frequency Accuracy	Temperature Stability (-25°C to +85°C)	Aging for 10 Years
MZTTC□MG	2.00 MHz to 8.00 MHz	±0.5%	±0.3%	±0.3%
MZTTCR□MG	4.00 MHz to 8.00 MHz	±0.5%	±0.3%	±0.3%
MZTTC□MT	6.00 MHz to 13.00 MHz	±0.5%	±0.4%	±0.3%
MZTTCV□MT	8.00 MHz to 13.00 MHz	±0.5%	±0.4%	±0.3%
MZTTC□MG	8.00 MHz to 12.00 MHz	±0.5%	±0.3%	±0.3%
MZTTC□MX	13.01 MHz to 50.00 MHz	±0.5%	±0.3%	±0.3%
MZTTCV□MX	16.00 MHz to 50.00 MHz	±0.5%	±0.3%	±0.3%
MZTTCW□MX	20.00 MHz to 50.00 MHz	±0.5%	±0.3%	±0.3%
MZTTC□MG	2.00 MHz to 12.00 MHz	±0.5%	±0.3%	±0.3%

## Schematic



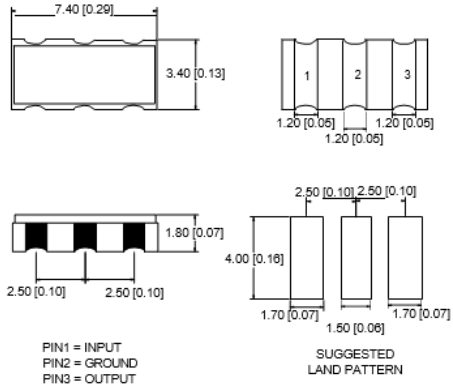
## Part Number Guide



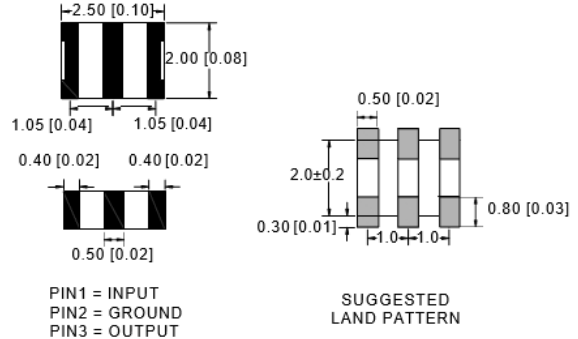
Contact Abracon for available configurations.

Package Dimensions

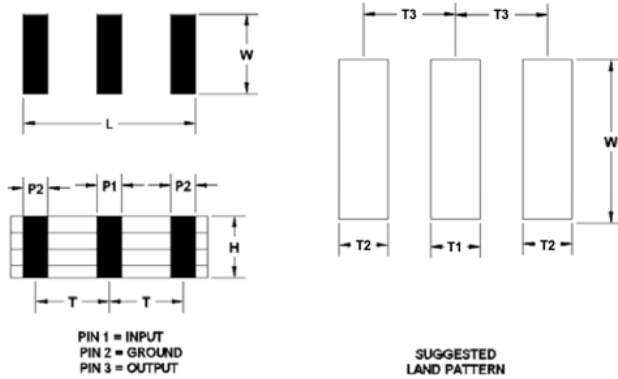
CC



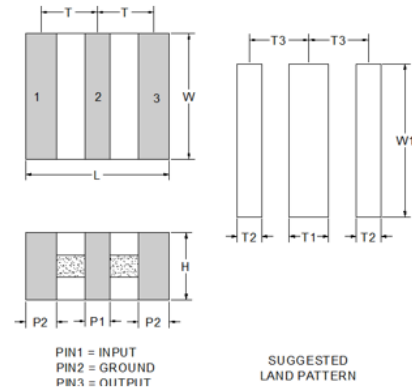
CW



CE/CR

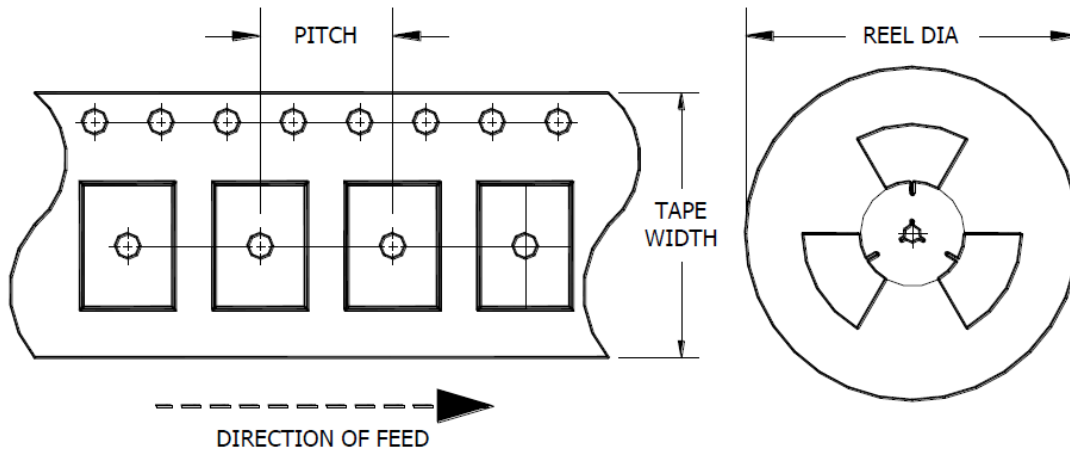


CS/CV/CP



Model	L	W	H	P1	P2	T
CR	4.5±0.2	2.0±0.2	1.2 MAX	0.8±0.2	0.8±0.2	1.5±0.2
CE	3.2±0.1	1.3±0.1	1.0 MAX	0.4±0.1	0.4±0.1	1.2±0.1
CS	4.7±0.2	4.1±0.2	1.7±0.2	1.0±0.2	0.8±0.2	1.95±0.2
CV	3.7±0.2	3.1±0.2	1.6±0.2	0.9±0.2	0.7±0.2	1.5±0.2
CP	6.0±0.2	3.0±0.2	1.5±0.2	1.2±0.2	1.2±0.2	2.5±0.2
LAND PATTERN DIMENSIONS						
Model	T1	T2	T3	W		
CR	0.8±0.2	0.8±0.2	1.5±0.2	2.6±0.2		
CE	0.4±0.2	0.4±0.2	1.2±0.2	2.0±0.2		
CS	1.3±0.2	0.8±0.2	1.95±0.2	5.1±0.2		
CV	0.9±0.2	0.7±0.2	1.5±0.2	4.1±0.2		
CP	1.5±0.3	1.7±0.3	2.5±0.3	4.0±0.3		

**Tape & Reel Dimensions**



Part No.	Component Size	Pitch	Tape Width	Reel Size	Qty	Reel Size	Qty	Reel Size	Qty
MZTCC□MG	7.4 x 3.4 x 1.8	8.0	16.0	179±2	1000	---	---	300/330±2	4000
MZTCR□MG	4.5 x 2.0 x 1.2	4.0	12.0	---	---	179±2	3000	----	----
MZTCS□MT	4.7 x 4.1 x 1.7	8.0	12.0	179±2	1000	---	---	---	---
MZTCV□MT	3.7 x 3.1 x 1.6	8.0	12.0	179±2	1000	---	---	---	---
MZTCE□MG	3.2 x 1.3 x 1.0	4.0	8.0	---	---	179±2	3000	---	---
MZTCS□MX	4.7 x 4.1 x 1.7	8.0	12.0	179±2	1000	---	---	---	---
MZTCV□MX	3.7 x 3.1 x 1.6	8.0	12.0	179±2	1000	---	---	---	---
MZTCW□MX	2.5 x 2.0 x 1.2	4.0	8.0	---	---	179±2	3000	---	---
MZTTC□MG	6.0 x 3.0 x 1.5	8.0	16.0	179±2	1000	----	----	300/330±2	4000