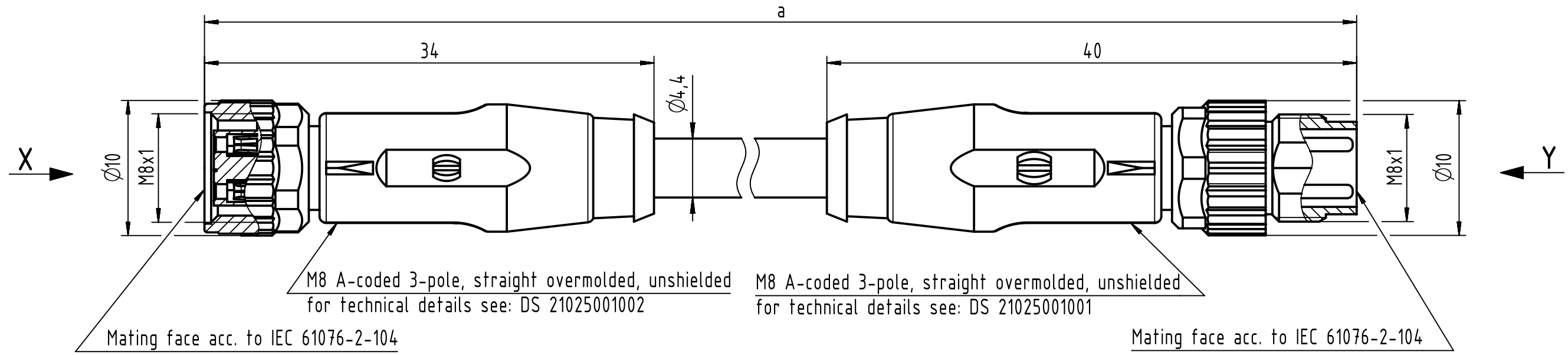


Connector Location A

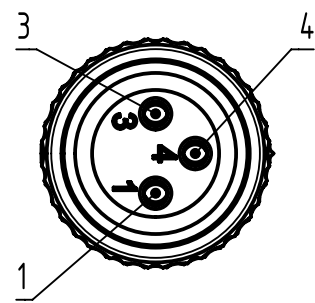
Connector Location B



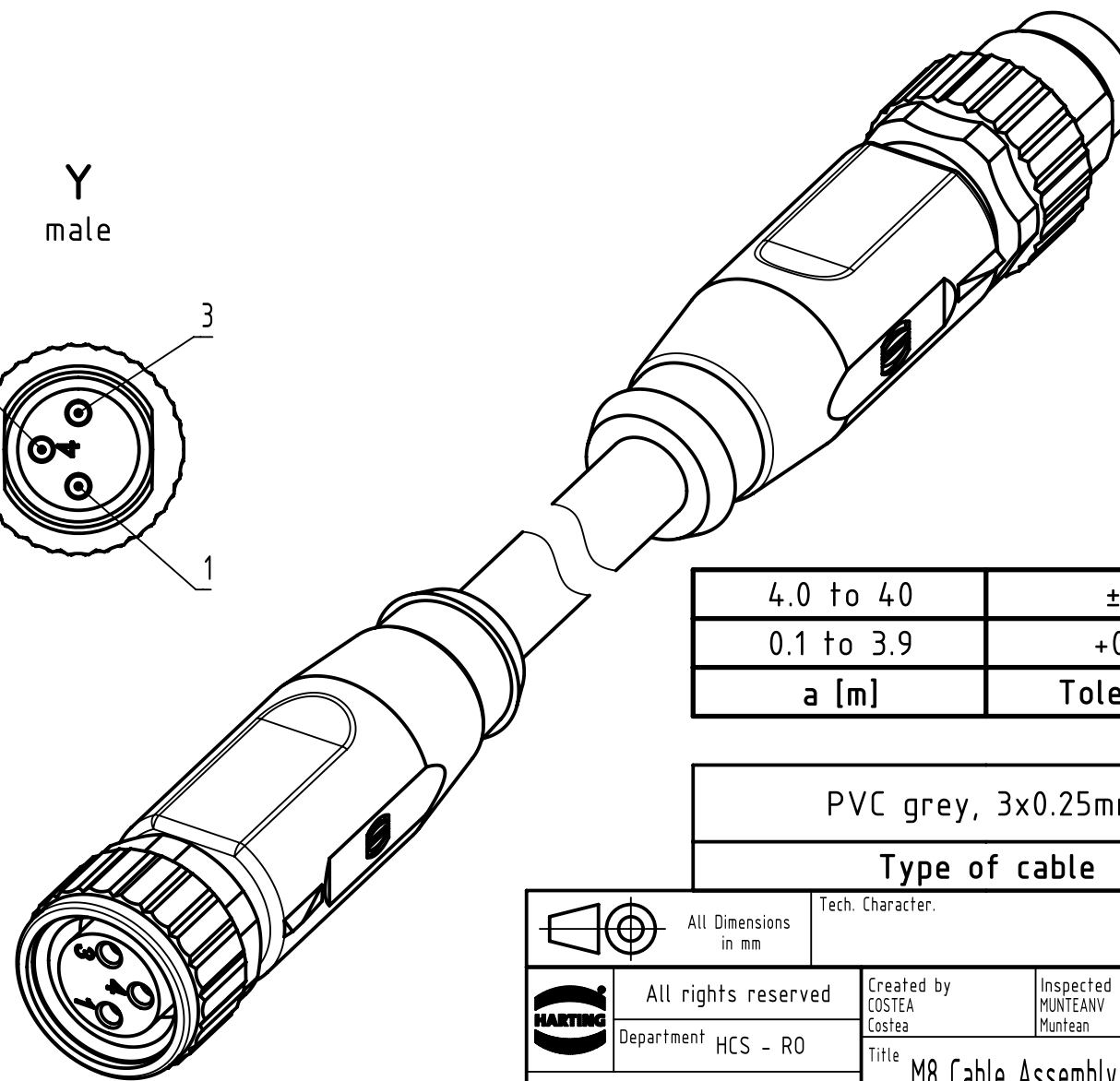
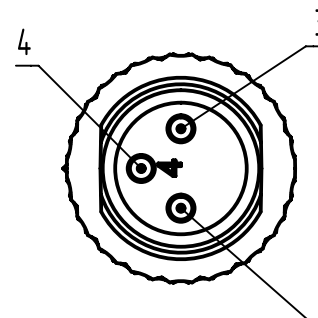
X female

Y male

Loading-Plan:



- 1 brown 1
- 3 blue 3
- 4 black 4



length in "1m" step	40	XXX=400
	39	XXX=390
	.	.
	12	XXX=120
	11	XXX=110
length in "0.1m" step	10	XXX=100
	9.9	XXX=099
	9.8	XXX=098
	.	.
	0.4	XXX=004
	0.3	XXX=003
	0.2	XXX=002
	0.1	XXX=001
Step	a [m]	XXX

4.0 to 40	±1%
0.1 to 3.9	+0.04
a [m]	Tolerance

PVC grey, 3x0.25mm ²	21348081380XXX
Type of cable	Part no.

- Protection level: IP67
- Temperature range: -25°C ... +80°C

	All rights reserved	Created by COSTEA Costea	Inspected by MUNTEANV Muntean	Standardisation MUNTEANV Muntean	Date 2018-12-18	State Final Release
HARTING Customised Solutions D-32339 Espelkamp		Title M8 Cable Assembly 3-poles st/st f/m		Doc-Key / ECM-Nr. 100577987/UGD/009/D 500000145064		Rev. D
		Type TB	Number 21348081380XXX		Page 1/1	

Mouser Electronics

Authorized Distributor

Click to View Pricing, Inventory, Delivery & Lifecycle Information:

HARTING:

[21348081380015](#) [21348081380075](#) [21348081380100](#) [21348081380020](#) [21348081380005](#) [21348081380050](#)
[21348081380010](#) [21348081380040](#) [21348081380060](#)