

THE INFORMATION CONTAINED HEREIN IS CONSIDERED "PROPRIETARY" TO BEL FUSE INC. AND SHALL NOT BE COPIED, REPRODUCED OR DISCLOSED WITHOUT THE WRITTEN APPROVAL OF BEL FUSE INC.

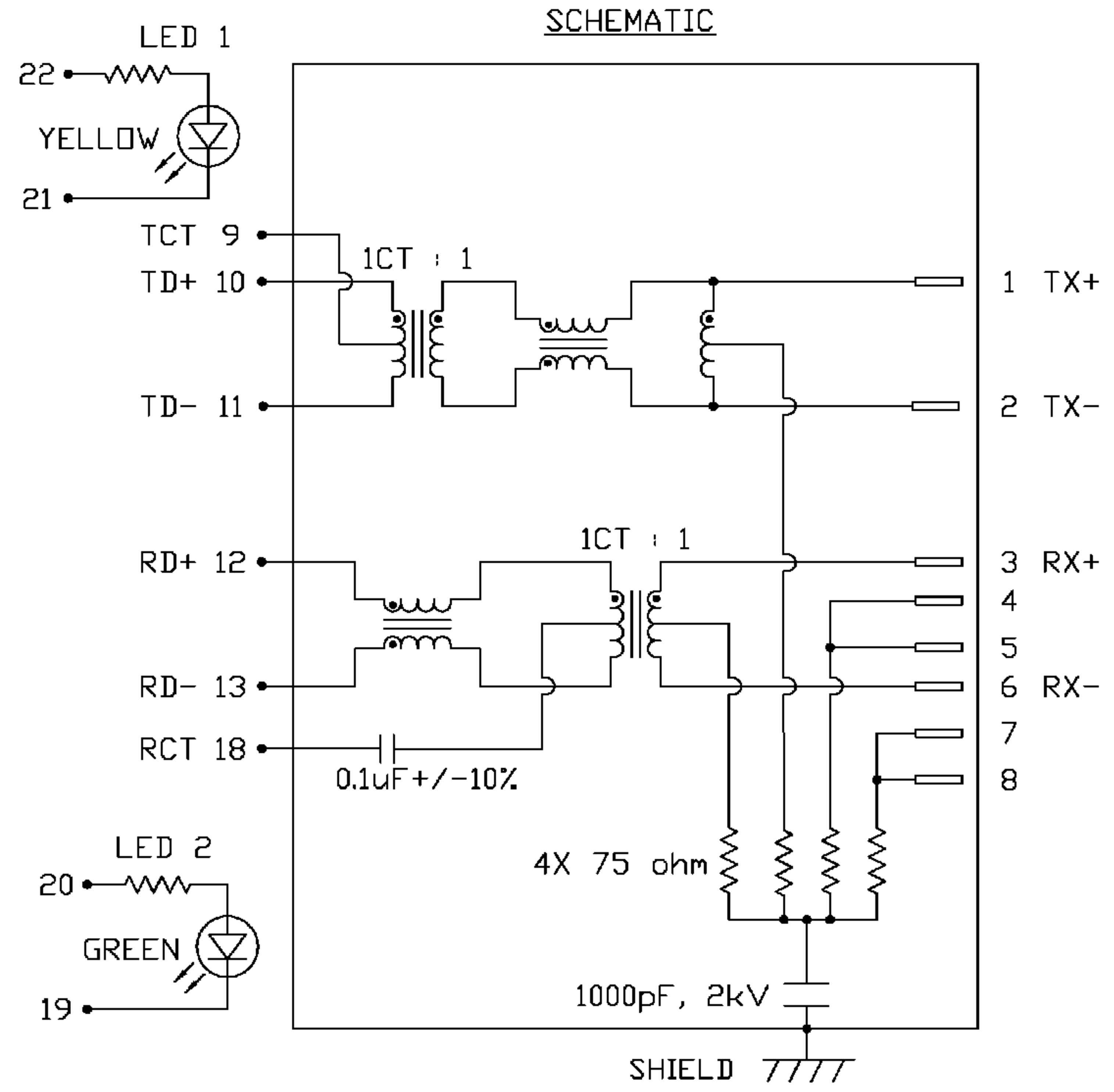
LED2 POLARITY			LED1 POLARITY		
PIN 19	PIN 20	COLOR	PIN 21	PIN 22	COLOR
-	+	GREEN	-	+	YELLOW

PRELIMINARY



ELECTRICAL CHARACTERISTICS @ 25°C

<p> URNS RATIO TX 1CT : 1CT ±3% RX 1CT : 1CT ±3% QCL @ 100kHz,100mVRMS 8mA DC BIAS 350uH MIN INS. LOSS 100KHz TO 100MHz -1.0 dB MAX RET. LOSS (MIN) 1MHz-30MHz -20 dB 30MHz-60MHz $-[19-20\text{LOG}(F/30\text{MHz})]$ dB 60MHz-80MHz -12 dB CM TO CM REJ 100kHz - 100MHz -30 dB MIN 100MHz - 130MHz -20 dB MIN CM TO DM REJ 100kHz - 100MHz -35 dB MIN CROSS TALK 1MHz - 65MHz -35 dB MIN 65MHz - 100MHz -30 dB MIN HIPOT (Isolation Voltage): 1500 Vrms or 2250VDC LEAKAGE INDUCTANCE PRIMARY W/ SECONDARY 0.3uH Max. @ 1MHz INTERWINDING CAPACITANCE PER CHANNEL (PRI. TO SEC.) 30pF Max @ 1MHz DC RESISTANCE (RJ1-RJ2)=(RJ3-RJ6) 1.2 ohms Max LED 1 VF (FORWARD VOLTAGE) IF=20mA YELLOW 2.1V TYP. λD (DOMINANT WAVELENGTH) IF=20mA YELLOW 590nm TYP. LED 2 VF (FORWARD VOLTAGE) IF=20mA GREEN 2.2V TYP. λD (DOMINANT WAVELENGTH) IF=20mA GREEN 565nm TYP. USB ELECTRICAL: INSULATION RESISTANCE: 1000 MEGA Ω (MIN) CONTACT RESISTANCE: 25 MILLI Ω (MAX) DIELECTRIC WITHSTANDING: 750 VAC </p>	
---	--



ORIGINATED BY	DATE	TITLE	PART NO. / DRAWING NO.	STANDARD DIM. TOL. IN INCH	[] METRIC DIM. AS REFERENCE
CHUNG	04-17-06	MagJack® Combo (Staggered pin)	C893-1AX1-E1	.X	UNIT : INCH [mm] REV. : PE
DRAWN BY	DATE		FILE NAME	.XX	SCALE : N/A SIZE : A4
DE	04-17-06		C8931AX1E1PE.DWG	.XXX	⊕ PAGE : 2



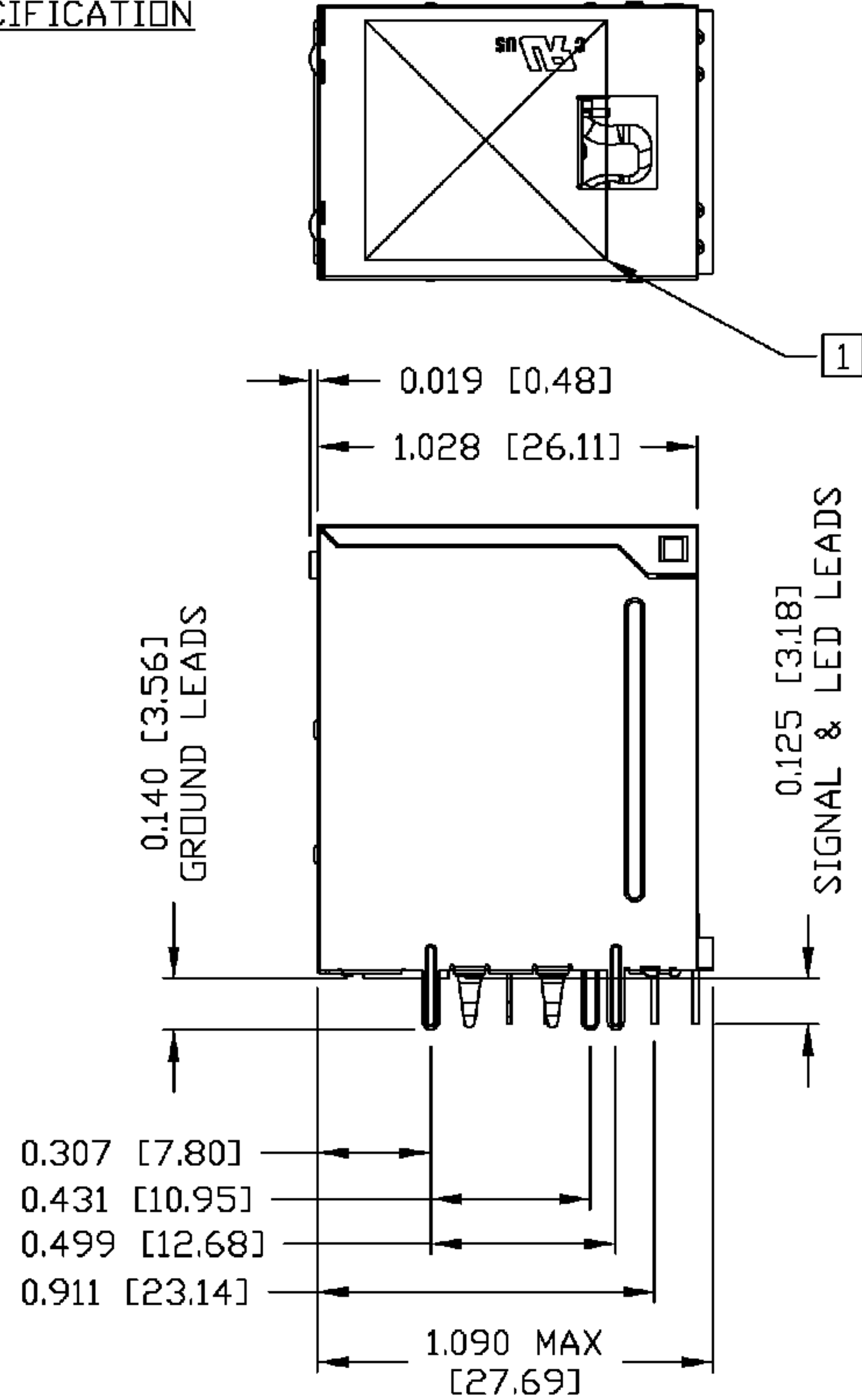
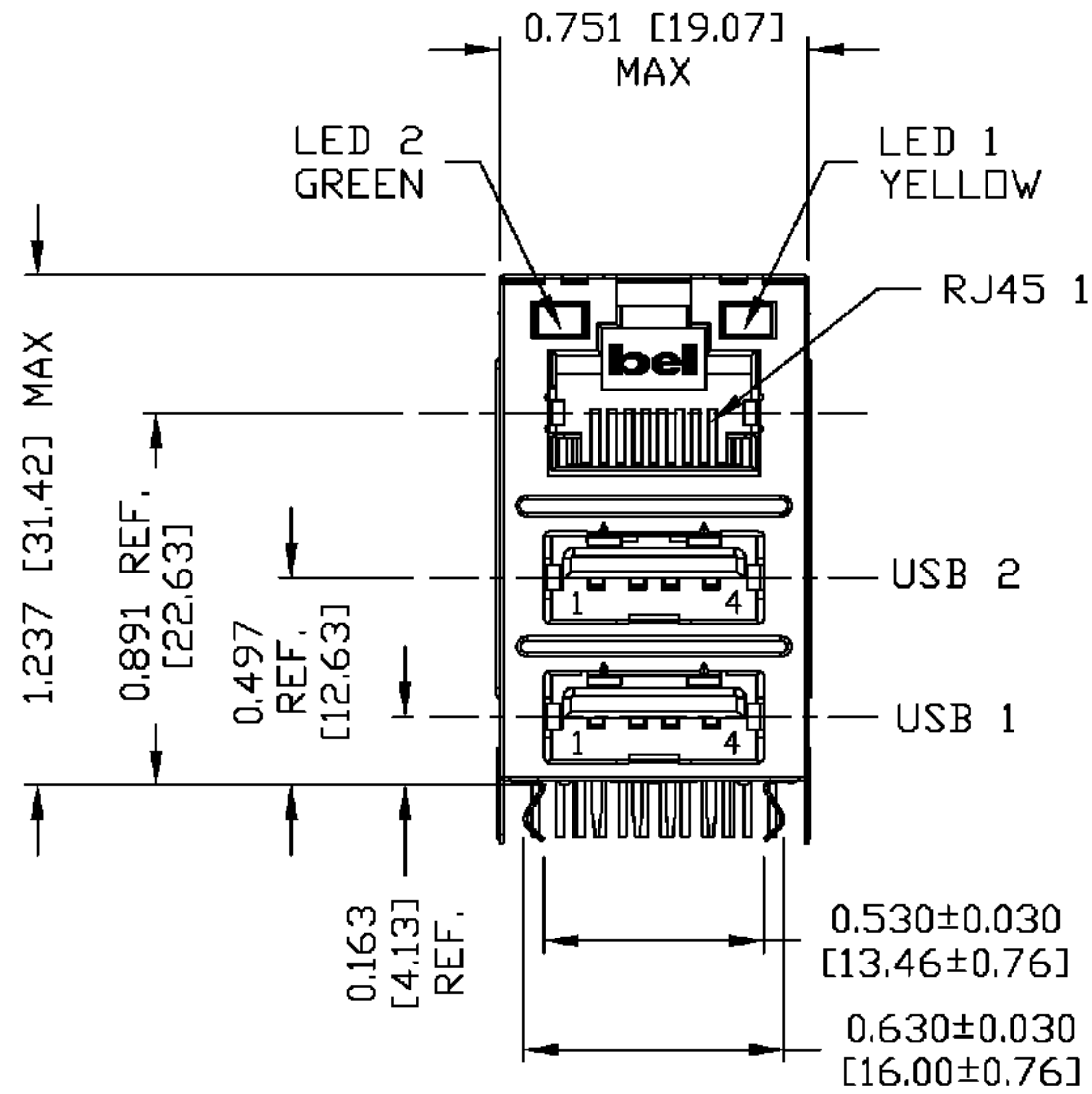
THE INFORMATION CONTAINED HEREIN IS CONSIDERED "PROPRIETARY" TO BEL FUSE INC. AND SHALL NOT BE COPIED, REPRODUCED OR DISCLOSED WITHOUT THE WRITTEN APPROVAL OF BEL FUSE INC.

RoHS
2002/95/EC



PRELIMINARY

MECHANICAL SPECIFICATION



ORIGINATED BY QIN	DATE 04-17-06	TITLE MagJack® Combo (Staggered pin)	PART NO. / DRAWING NO. C893-1AX1-E1	STANDARD DIM. TOL. IN INCH	[] METRIC DIM. AS REFERENCE
DRAWN BY TING	DATE 04-17-06		FILE NAME C8931AX1E1PE.DWG	.X .XX .XXX ±0.010	UNIT : INCH [mm] SCALE : N/A



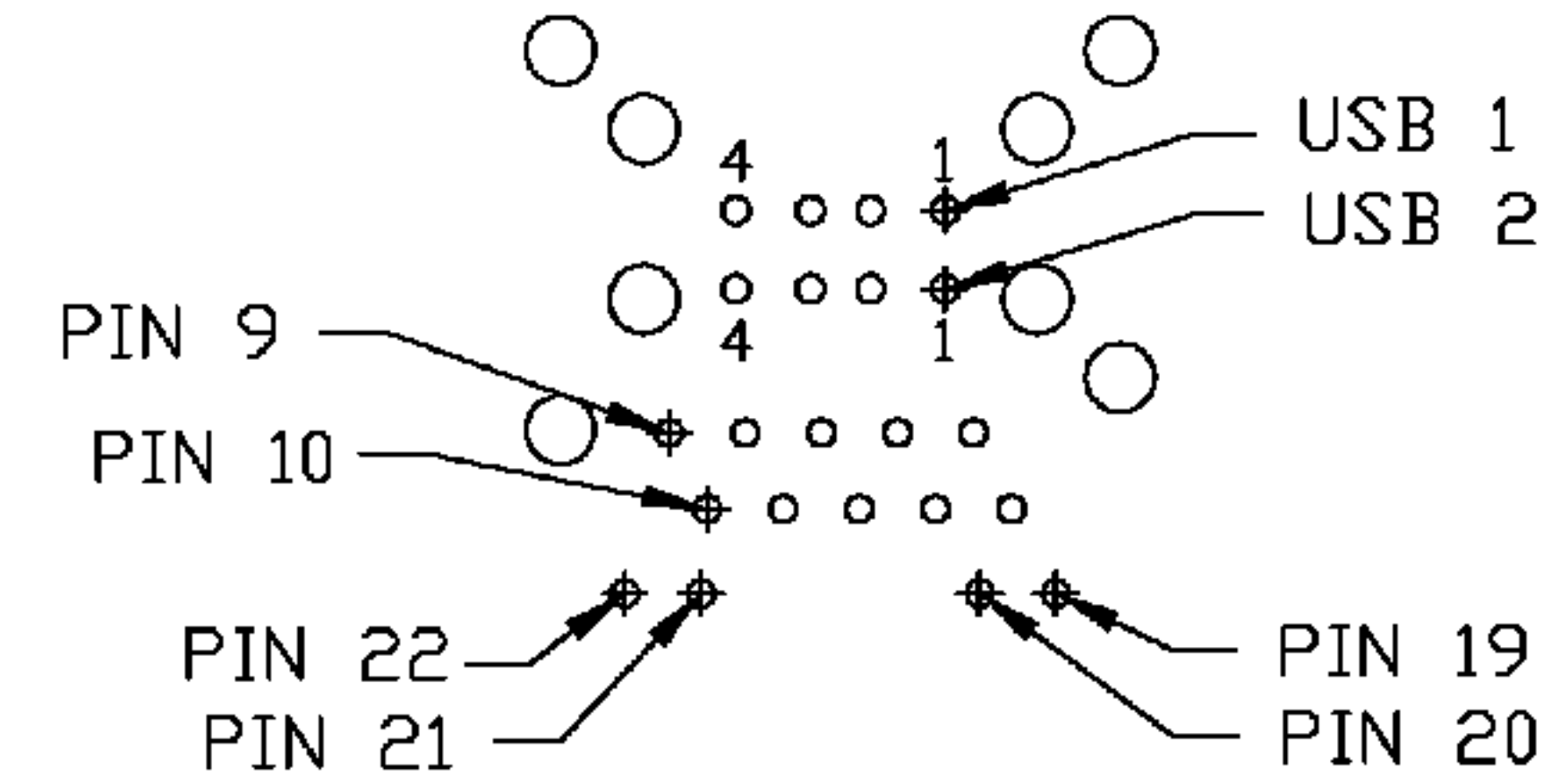
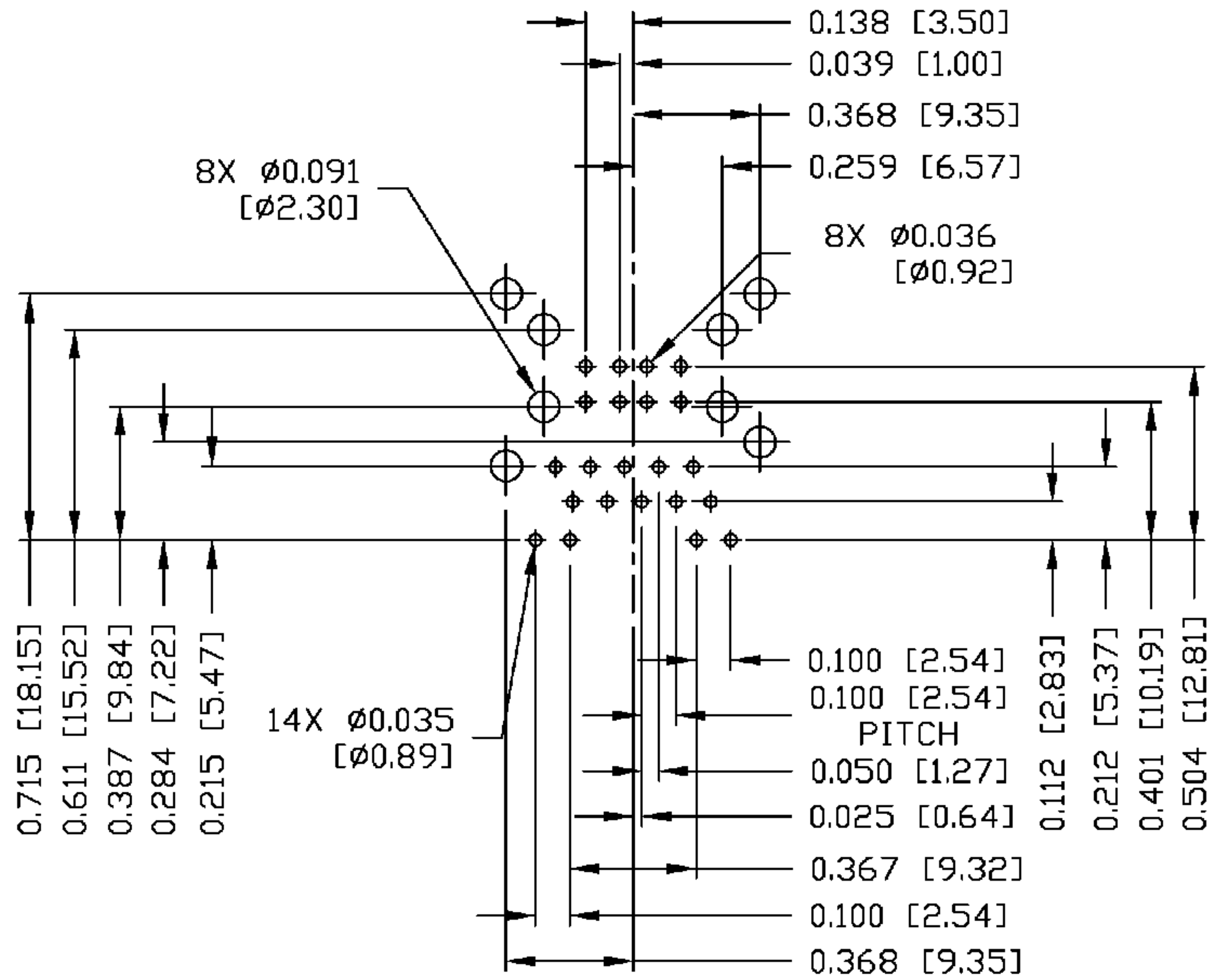
THE INFORMATION CONTAINED HEREIN IS CONSIDERED "PROPRIETARY" TO BEL FUSE INC. AND SHALL NOT BE COPIED, REPRODUCED OR DISCLOSED WITHOUT THE WRITTEN APPROVAL OF BEL FUSE INC.

RoHS
2002/95/EC



PRELIMINARY

Recommended PCB footprint
Component Side



RJ45 MECHANICAL:

PLASTIC HOUSING: THERMOPLASTIC PBT
FLAMMABILITY RATING UL 94V-0
CONTACTS PLATING: 50 MICRO-INCH HARD GOLD PLATING
PINS: TIN-COATED CP WIRE, DIA 0.018 INCH.
METAL SHIELD: NICKEL PLATED ON COPPER ALLOY.
(ALL GROUND LEADS ARE SOLDER DIPPED)

USB MECHANICAL:

MATING FORCE: 35 NEWTONS MAXIMUM
UNMATING FORCE: 10 NEWTONS MINIMUM
CONTACT: PHOSPHOR BRONZE
30 MICRO-INCH GOLD PLATING ON CONTACT AREA AND TIN ON SOLDER TAIL.

1. MARK PART WITH MFG LOGO, MFG NAME, PART NUMBER, AND DATE CODE.

UL RECOGNIZED - FILE #E196366 AND E169987.

RoHS COMPLIANCE, PER EU DIRECTIVE 2002/95/EC.

JACK CAVITY CONFORMS TO FCC RULES AND REGULATIONS.

ORIGINATED BY QIN	DATE 04-17-06	TITLE MagJack® Combo (Staggered pin)	PART NO. / DRAWING NO. C893-1AX1-E1	STANDARD DIM. TOL. IN INCH	[] METRIC DIM. AS REFERENCE	
DRAWN BY TING	DATE 04-17-06		FILE NAME C8931AX1E1PE.DWG	.X .XX .XXX ±0.004	UNIT : INCH [mm]	REV. : PE
					SCALE : N/A	SIZE : A4
						PAGE : 4

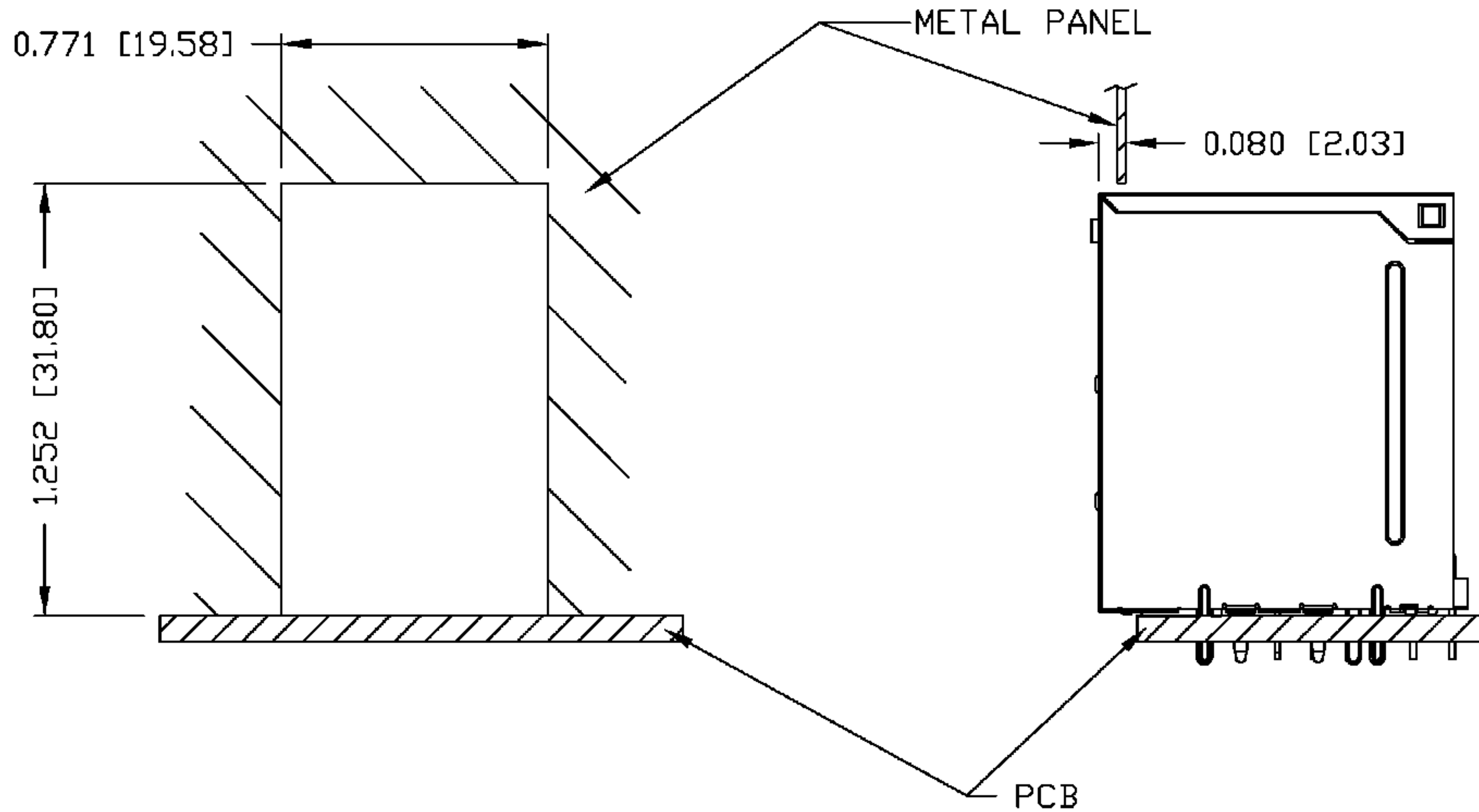


THE INFORMATION CONTAINED HEREIN IS CONSIDERED "PROPRIETARY" TO BEL FUSE INC. AND SHALL NOT BE COPIED, REPRODUCED OR DISCLOSED WITHOUT THE WRITTEN APPROVAL OF BEL FUSE INC.



SUGGESTED PANEL OPENING

PRELIMINARY



NOTE:

THE DISTANCE OF PANEL INSIDE SURFACE RELATIVE TO FRONT SURFACE OF PART IS ONLY A SUGGESTION. IN CASE THIS DISTANCE IS DIFFERENT, THE REQUIRED PANEL OPENING DIMENSIONS CHANGE ACCORDINGLY.

PACKING INFORMATION

PACKING TRAY : 0200-9999-H3 (TOP)
0200-9999-H4 (BOTTOM)

PACKING QUANTITY : 35 PCS FINISHED GOODS PER TRAY
9 TRAYS (315 PCS FINISHED GOODS) PER CARTON BOX

NOTE : CARDBOARDS ARE PLACED BETWEEN LAYERS OF PACKING TRAY INSIDE CARTON BOX
(INCLUDE THE UPPERMOST AND LOWERMOST TRAY)

ORIGINATED BY QIN	DATE 04-17-06	TITLE MagJack® Combo (Staggered pin)	PART NO. / DRAWING NO. C893-1AX1-E1	STANDARD DIM. TOL. IN INCH		[] METRIC DIM. AS REFERENCE	
					UNIT : INCH [mm]	REV. : PE	
DRAWN BY TING	DATE 04-17-06		FILE NAME C8931AX1E1PE.DWG	.X	±0.004	SCALE : N/A	SIZE : A4
				.XX			PAGE : 5
		.XXX					



Mouser Electronics

Authorized Distributor

Click to View Pricing, Inventory, Delivery & Lifecycle Information:

Bel:

[C893-1AX1-E1](#)