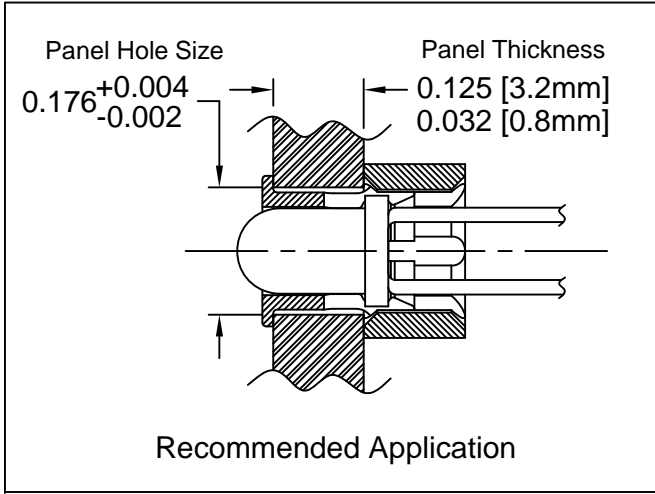
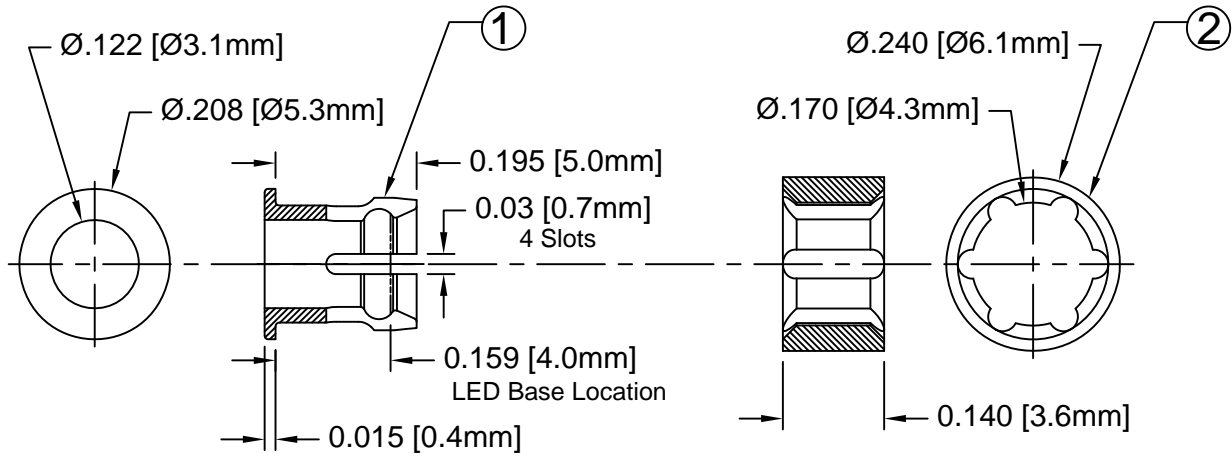



ITEM	QTY	PART NUMBER	PART DESCRIPTION
1	1	C-104	T-1 (3mm) CLIP
2	1	R-104	T-1 (3mm) RING

REV.	DESCRIPTION	DATE	APPROVED
D	Engineering Update w/o Changes	02/26/04	M. C.
E	Remove Material Code	05/28/16	J. C.



2. MATERIAL: NYLON 6/6, 94V-0, BLACK.

1. GENERAL SPECIFICATIONS: BIVAR MOLDED COMPONENT SPECIFICATION BV00-E101.

STANDARD TOLERANCE (UNLESS OTHERWISE SPECIFIED)		 4 THOMAS, IRVINE, CA. 92618 TEL: (949) 951-8808 FAX: (949) 951-3974	
DECIMALS	ANGULAR		
.X ± .1	X° ± 1°	<b>TITLE:</b> T-1 (3mm) LED CLIP AND RING SET	
.XX ± .01			
.XXX ± .005			
DESIGNED: <b>S. Irving</b>	DATE: <b>11/30/01</b>	<b>PART NO:</b> CR-104	REVISION: <b>E</b>
CHECKED: <b>D. Green</b>	DATE: <b>11/11/02</b>	<b>CAGE CODE :</b> 32559	<b>SHEET # 1 OF 1</b>
CAD GENERATED DOCUMENT. DO NOT MEASURE DRAWING.			

# Mouser Electronics

Authorized Distributor

Click to View Pricing, Inventory, Delivery & Lifecycle Information:

[BIVAR:](#)

[CR-104](#)