

PLEASE CHECK WWW.MOLEX.COM FOR LATEST PART INFORMATION

Part Number: [0702461004](#)
Status: **Active**
Overview: C-Grid® Products
Description: 2.54mm Pitch C-Grid® Header, Low Profile, Dual Row, Vertical, Shrouded, 10 Circuits, 0.13µm Gold (Au) Selective Plating, Tin (Sn) PC Tail Plating

Documents:

3D Model	Packaging Specification PK-70246-001-001 (PDF)
Drawing (PDF)	Packaging Specification PK-87835-001 (PDF)
Product Specification PS-70246-100-001 (PDF)	RoHS Certificate of Compliance (PDF)

Agency Certification

CSA	LR19980
UL	E29179

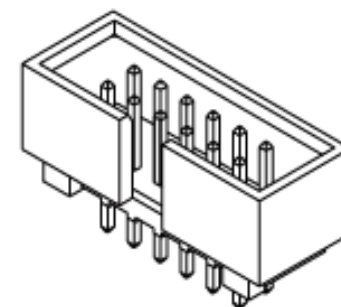
General

Product Family	PCB Headers
Series	70246
Application	Signal, Wire-to-Board
Overview	C-Grid® Products
Product Name	C-Grid®
UPC	822348755905

Physical

Breakaway	No
Circuits (Loaded)	10
Circuits (maximum)	10
First Mate / Last Break	No
Flammability	94V-0
Glow-Wire Compliant	No
Guide to Mating Part	No
Keying to Mating Part	None
Lock to Mating Part	None
Material - Metal	Brass
Material - Plating Mating	Gold
Material - Plating Termination	Tin-Lead
Net Weight	1.467/g
Number of Rows	2
Orientation	Vertical
PC Tail Length	3.43mm
PCB Locator	No
PCB Retention	None
PCB Thickness - Recommended	1.60mm
Packaging Type	Tray
Pitch - Mating Interface	2.54mm
Pitch - Termination Interface	2.54mm
Plating min - Mating	0.127µm
Plating min - Termination	1.905µm
Polarized to Mating Part	Center Slot
Polarized to PCB	No
Shrouded	Fully
Stackable	No
Surface Mount Compatible (SMC)	No
Temperature Range - Operating	-55°C to +120°C
Termination Interface: Style	Through Hole

Electrical



Series image - Reference only

EU ELV

Not Relevant

EU RoHS

Compliant

REACH SVHC

Not Contained Per - ED/21/2016 (20 June 2016)

Halogen-Free

Status

Not Low-Halogen

Need more information on product environmental compliance?

Email productcompliance@molex.com
Please visit the [Contact Us](#) section for any non-product compliance questions.

China ROHS

ELV

RoHS Phthalates

China RoHS

Green Image

Not Relevant

Not Contained

Search Parts in this Series

[70246](#) Series

Mates With

[70450](#) SL™ Crimp Housing, [70058](#) SL™ Crimp Terminal

Current - Maximum per Contact	2.5A
Voltage - Maximum	250V DC

Solder Process Data

Duration at Max. Process Temperature (seconds)	010
Lead-free Process Capability	WAVE
Max. Cycles at Max. Process Temperature	001
Process Temperature max. C	235

Material Info**Reference - Drawing Numbers**

Packaging Specification	PK-70246-001-001, PK-87835-001
Product Specification	PS-70246-100-001
Sales Drawing	SDA-70246-**-20-25_39

This document was generated on 12/27/2016

PLEASE CHECK WWW.MOLEX.COM FOR LATEST PART INFORMATION