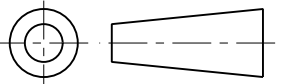


DO NOT SCALE

DIMENSIONS IN mm

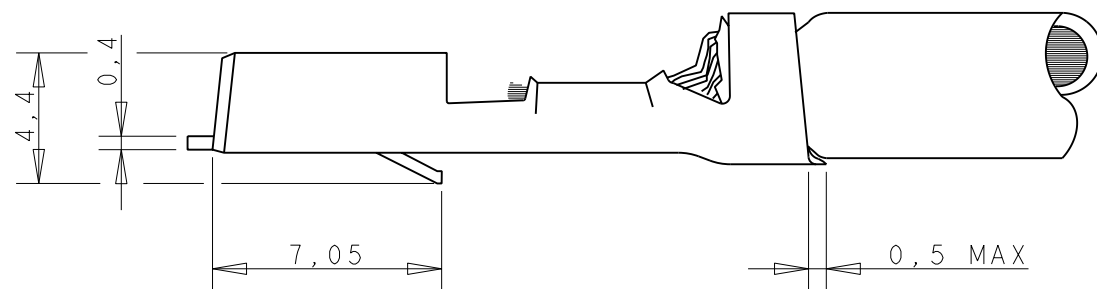
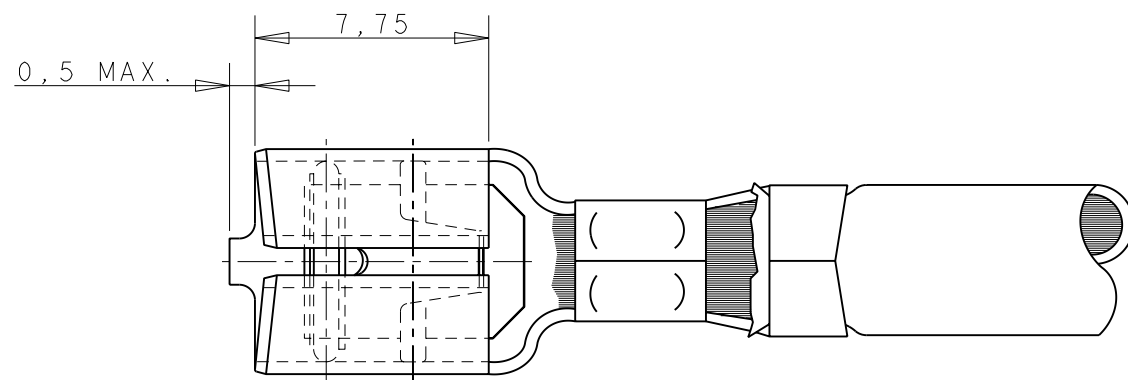
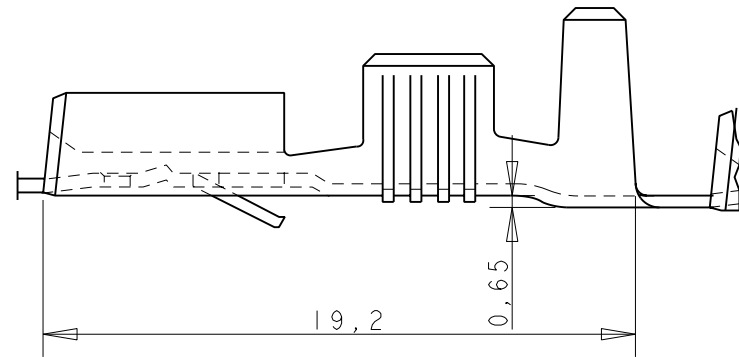
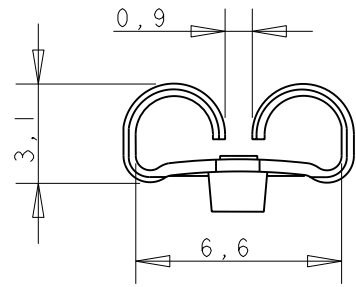
METRIC

THIRD ANGLE
PROJECTION



NOTES:

- 1 FOR USE ON MINIATURE APPLICATORS (LEFT-RIGHT FEED) AND STANDARD APPLICATORS (RIGHT-LEFT FEED).
- 2 REELED WITH PAPER COVER.
- 3 SPLICE FREE CODE 115-10003.1
- 4 OBSOLETE PARTS: OBSOLETE CIS STREAMLINING PER D.RENAUD/D.SINISI



GENERAL TOLERANCES ±0.3

WIRE RANGE :
>2,5-4,0 mm²
INSULATION RANGE :
3,3-4,5 DIA.

4 OBSOLETE	1	PRE-TINPLATED	PH.BRONZE	6-160913-8
	1	PRE-TINPLATED	BRASS	6-160913-7
	1	TINPLATED	PH.BRONZE	160913-4
	3	UNPLATED	PH.BRONZE	160913-3
	1	TINPLATED	BRASS	160913-2
	1	UNPLATED	BRASS	160913-1

	NOTES	FINISH			MATERIAL	PARTNUMBER
E2	ECO-09-025699	KK	AEG	18DEC09	CUSTOMER DRAWING FOR REFERENCE ONLY WILL NOT BE UPDATED	
E1	4,4 was 4,1	J.L	J.L	77JUL/2006	© COPYRIGHT 19- BY AMP HOLLAND B.V. ALL INTERNATIONAL RIGHTS RESERVED.AMP PRODUCTS MAY BE COVERED BY U.S. AND FOREIGN AND/OR PATENTS PENDING.	
E	ES00-0008-03	JL	JL	17JAN03	THIS DRAWING IS UNPUBLISHED RELEASED FOR PUBLICATION	
D	ES00-0065-01	JC	JL	19JUN01		
C	ES00-0043-01	JC	RS	2MAY01	Tyco Electronics Tyco Electronics Corporation Barcelona, Spain	
B	EH-1045-97	D.K.	R.V.	26 SEP 97	NAME	
A	EH-0168-94	DK	PB	21-06-94	.250 SRS FASTIN-ON RECEPTACLE	
LTR.	REVISION RECORD	DR.	CHK.	DATE		
DR.:	L.v.d.HEIJDEN	CHK.:	A.BIJNEN	APP.:	L.v.SOEST	DWG.No.
DATE:	02-07-87	DATE:	10-08-87	DATE:	24-08-87	160913
						REV.LTR.
						E2
						SHEET
						1 OF 1
						A3

Mouser Electronics

Authorized Distributor

Click to View Pricing, Inventory, Delivery & Lifecycle Information:

[TE Connectivity:](#)

[160913-4](#)