

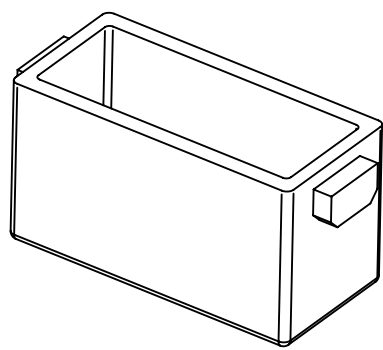
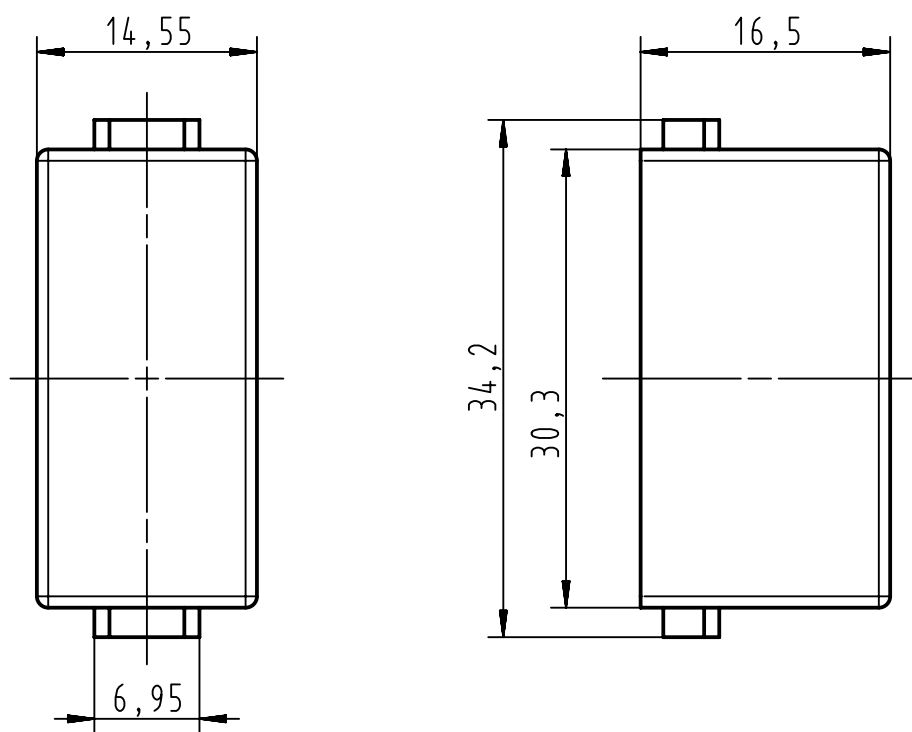
1                      2                      3                      4                      5                      6


A

B

C

D



	All rights reserved Department EL PD - DE	All Dimensions in mm Original Size DIN A4	Scale 2:1	Free size tol.			Ref.
	HARTING Electric GmbH & Co. KG D-32339 Espelkamp	Created by GRUBES	Inspected by	Standardisation	Date 2013-02-04	State Release Process	Sub.
		Title Han-Modular Dummy Module				Doc-Key / ECM-Nr. 100220135/UGD/003/B 500000058661	
		Type TB	Number 09 14 000 9950			Rev. B	Page 1/1