

APPLICABLE STANDARD		USB2.0 SPECIFICATION AND MICRO-USB CABLE AND CONNECTORS SPECIFICATION.		
RATING	OPERATING TEMPERATURE RANGE	-30°C TO +85°C	STORAGE TEMPERATURE RANGE	-30°C TO +85°C
	VOLTAGE	AC 30 V	OPERATING HUMIDITY RANGE	— % TO — %
	CURRENT ① SIGNAL ONLY ② POWER APPLY	① 1 A/pin ② 1.8 A/pin (PIN No.1,5) 0.5 A/pin (PIN No.2 ~ 4)	APPLICABLE CABLE	—

SPECIFICATIONS

ITEM	TEST METHOD	REQUIREMENTS	QT	AT
------	-------------	--------------	----	----

CONSTRUCTION

GENERAL EXAMINATION	VISUALLY AND BY MEASURING INSTRUMENT.	ACCORDING TO DRAWING.	X	X
MARKING	CONFIRMED VISUALLY.		X	X

ELECTRIC CHARACTERISTICS

CONTACT RESISTANCE	100 mA (DC OR 1000 Hz).	30 mΩ MAX.	X	X
INSULATION RESISTANCE	500 V DC.	100 MΩ MIN.	X	X
VOLTAGE PROOF	100 V AC FOR 1 min.	NO FLASHOVER OR BREAKDOWN.	X	X
CAPASITANCE	MEASURE ADJACENT TWO CONTACTS AT 1000±10Hz AC VOLTAGE.	2 pF MAX	X	—

MECHANICAL CHARACTERISTICS

INSERTION AND WITHDRAWAL FORCES	A MAXIMUM RATE OF 12.5mm/min. MEASURED BY APPLICABLE CONNECTOR.	INSERTION FORCE 35 N MAX. WITHDRAWAL FORCE 8 N MIN.	X	—
MECHANICAL OPERATION	10000 TIMES INSERTIONS AND EXTRACTIONS. MATING SPEED - MECHANICALLY OPERATED : 500 CYCLES / h - MANUALLY OPERATED : 200 CYCLES / h	① CONTACT RESISTANCE : NO INCREASE OF MORE THAN 10 mΩ FROM INITIAL VALUE. ② INSERTION FORCE 35 N MAX. WITHDRAWAL FORCE 8 N MIN. ③ NO DAMAGE, CRACK AND LOOSENESS, OF PARTS.	X	—
VIBRATION	FREQUENCY 10 TO 55 Hz, SINGLE AMPLITUDE 0.75 mm, AT 2 h, FOR 3 AXIAL DIRECTIONS, TOTAL 6 h.	① NO ELECTRICAL DISCONTINUITY OF 1 μs. ② NO DAMAGE, CRACK AND LOOSENESS, OF PARTS.	X	—
RANDOM VIBRATION	FREQUENCY 50 TO 2000 Hz, AT 15 min, FOR 3 AXIAL DIRECTIONS.		X	—
SHOCK	490m/s ² DIRECTIONS OF PULSE 11 ms AT 3 TIMES FOR 6 DIRECTIONS, TOTAL 18 TIMES.		X	—

ENVIRONMENTAL CHARACTERISTICS

THERMAL SHOCK	TEMP -55 → 15 TO 35 → 85 → 15 TO 35 °C TIME 30 → 2 TO 3 → 30 → 2 TO 3 min UNDER 10 CYCLES. (MATING APPLICABLE CONNECTOR)	① CONTACT RESISTANCE : 70 mΩ MAX. ② INSULATION RESISTANCE : 10 MΩ MIN. ③ NO DAMAGE, CRACK AND LOOSENESS, OF PARTS.	X	—
HUMIDITY LIFE	TEMPERATURE -10~65 °C, HUMIDITY 90 TO 98 %, UNDER 7 CYCLES (168 h) (MATING APPLICABLE CONNECTOR)	NO DAMAGE, CRACK AND LOOSENESS, OF PARTS.	X	—

COUNT	DESCRIPTION OF REVISIONS	DESIGNED	CHECKED	DATE
△				

REMARK HIROSE will not guarantee the performance on these specifications in case this product will be mated with the others which is not HIROSE's. Unless otherwise specified, refer to USB2.0, EIA364 or IEC 60512.	APPROVED	NM. NISHIMATSU	15. 10. 27
	CHECKED	KN. ICHIKAWA	15. 10. 27
	DESIGNED	TS. ITO	15. 10. 27
	DRAWN	AK. AKIYAMA	15. 10. 27

Note QT:Qualification Test AT:Assurance Test X:Applicable Test	DRAWING NO.	ELC-126723-30-00
--	-------------	------------------

HRS	SPECIFICATION SHEET	PART NO.	ZX80-B-5P (30)	
	HIROSE ELECTRIC CO., LTD.	CODE NO.	CL242-0051-0-30	△ 1/2

SPECIFICATIONS

ITEM	TEST METHOD	REQUIREMENTS	QT	AT
DRY HEAT	EXPOSED AT $+85\pm 2$ °C, 96 h. (MATING APPLICABLE CONNECTOR)	NO DAMAGE, CRACK AND LOOSENESS, OF PARTS.	X	—
COLD	EXPOSED AT -40 ± 2 °C, 96 h. (MATING APPLICABLE CONNECTOR)	NO DAMAGE, CRACK AND LOOSENESS, OF PARTS.	X	—
CORROSION SALT MIST	EXPOSED IN 5 % SALT WATER, 35 °C FOR 48h. (LEFT UNDER UNMATED CONDITION.)	NO HEAVY CORROSION.	X	—
SOLDERABILITY	SOLDERING POINT IMMERSED IN SOLDER BATH OF 255 ± 5 °C, 5sec.(USING TYPE R FLUX)	SOLDER SHALL COVER MINIMUM OF 95% OF THE SURFACE BEING IMMERSED.	X	—
RESISTANCE TO SOLDERING HEAT	A PROFILE IS SHOWN IN FIG-1, UNDER 2 CYCLES	NO DEFORMATION OR SIGNIFICANT LOOSENESS OF CONTACTS.	X	—

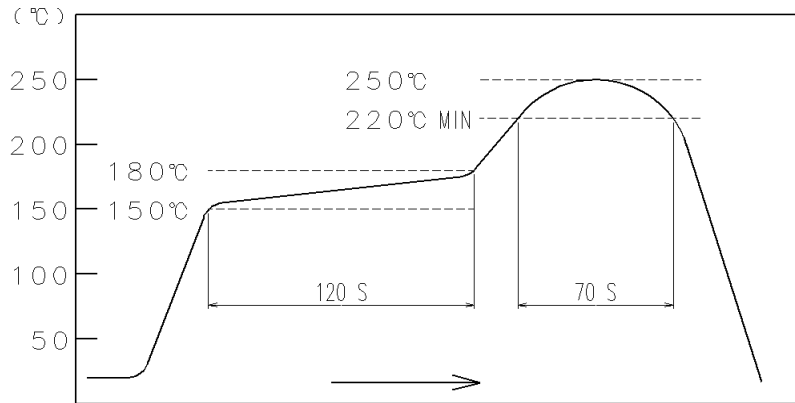


FIG - 1 RESISTANCE TO SOLDERING HEAT
(TEMPERATURE AT TOP SURFACE OF CONNECTOR)

■ RECOMMENDED PROFILE REFERS TO FIG - 2.
(TEMPERATURE AT SMT LEADS)

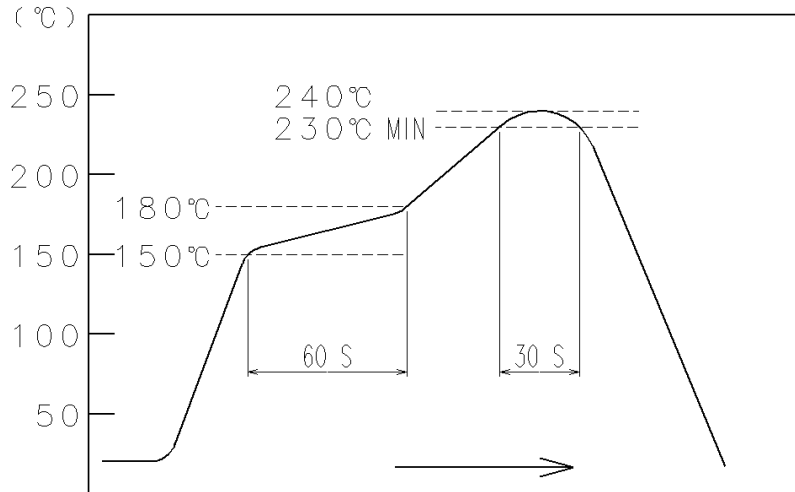


FIG - 2 RECOMMENDED REFLOW PROFILE TEMPERATURE

Note QT:Qualification Test AT:Assurance Test X:Applicable Test		DRAWING NO.	ELC-126723-30-00	
HRS	SPECIFICATION SHEET	PART NO.	ZX80-B-5P (30)	
	HIROSE ELECTRIC CO., LTD.	CODE NO	CL242-0051-0-30	△ 2/2