



## SPECIFICATIONS SHEET

**PRODUCT TYPE : MAGNETIC TRANSDUCER**

**PRODUCT SERIES : DBX**

**DESCRIPTION : MT TRANSDUCER 5V PIN NORYL**

**ROHS COMPLIANT**

**COLOR : BLACK**

### ELECTRICAL SPECIFICATIONS

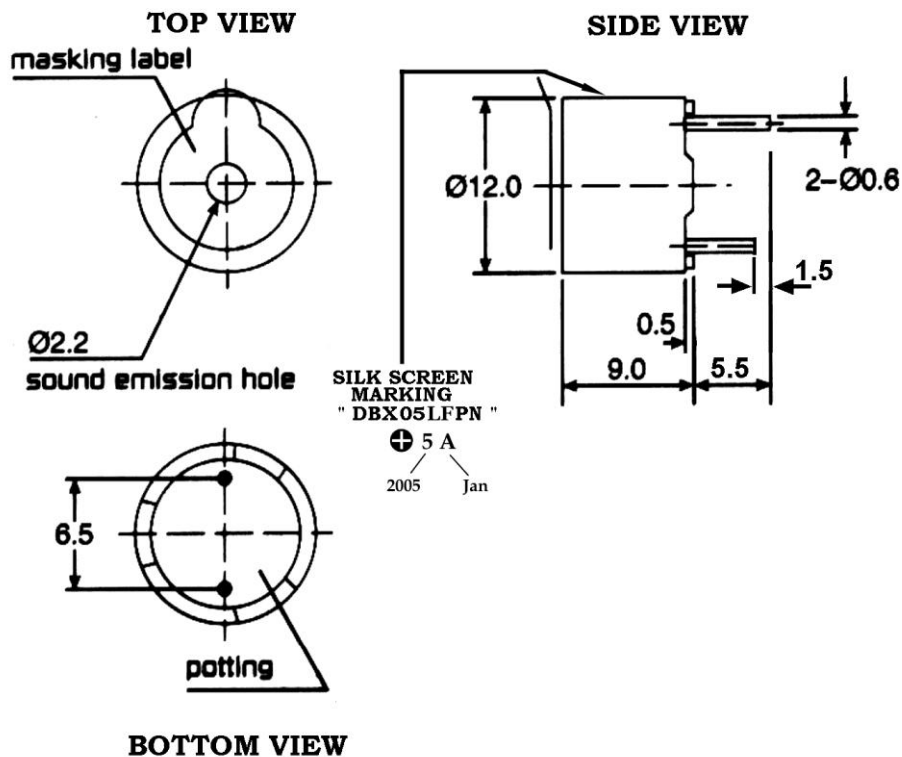
<b>MODEL NO.</b>		<b>DBX05LFPN</b>
OPERATING VOLTAGE RANGE	( V )	3.0 ~ 8.0
RATED VOLTAGE	( V )	5.0
+ MAX. RATED CURRENT	( mA )	40.0
COIL RESISTANCE	( $\Omega$ )	47.0 $\pm$ 5.0
* COIL IMPEDANCE	( $\Omega$ )	80
+ MIN. SOUND OUTPUT AT 10 cm	( dBA )	85
RESONANT FREQUENCY	( Hz )	2400
OPERATING TEMPERATURE	( $^{\circ}$ C )	- 40 ~ + 85
TERMINAL		PIN
HOUSING MATERIAL		NORYL
WEIGHT	( g )	2.0

+ Value applying rated voltage resonant frequency, 1/2 duty , square wave

\* Value applying resonant frequency, 1/2 duty , square wave ,measuring current 60uA

### DIMENSIONS

UNIT : mm



Approved By :   
Date : 13-Jun-2006

Prepared By   
Date : 13-Jun-2006

Modify :	Date :	By :