

# High Frequency Ceramic Solutions

## 5.4GHz Band Pass Filter, EIA 0603, SMD

P/N 5400BP14A0950

Detail Specification: 5/17/2017

Page 1 of 3

### General Specifications

<b>Part Number</b>	5400BP14A0950		
<b>Frequency (MHz)</b>	4900 - 5850		
<b>Insertion Loss (dB)</b>	1.5max. @25C 1.7max. @-40C to 85C		
<b>Return Loss</b>	9.5 dB min.		
<b>Attenuation (min.)</b>	33 dB @ 100 - 2170 MHz	<b>Impedance</b>	50 Ω
<b>Attenuation (min.)</b>	29 dB @ 2170 - 2500 MHz	<b>Operating Temperature</b>	-40 to +85°C
<b>Attenuation (min.)</b>	32 dB @ 9800 - 12000 MHz	<b>Storage Temperature</b>	-40 to +85°C
<b>Reel Quantity</b>	4,000	<b>Storage Period</b>	18 Months max.*
<b>Recommended Storage Conditions for unused T&amp;R Product*</b>	+5 ~ +35°C, Humidity: 45~75%RH	<b>Solder Paste</b>	SAC 305 type is recommended
		<b>Input Power</b>	1W max. (CW)



\*18 months in vacuum sealed bag and 1 week after opened. Please keep unused parts in vacuum sealed bags. For more info go to [www.johansontechnology.com/silverleads](http://www.johansontechnology.com/silverleads).

<b>P/N Suffix</b>	<b>Packing Style</b>	Bulk	Suffix = S	eg. 5400BP14A0950S
		T & R	Suffix = T	eg. 5400BP14A0950T
	<b>Evaluation Board</b>	5400BP14A0950-EB1SMA		

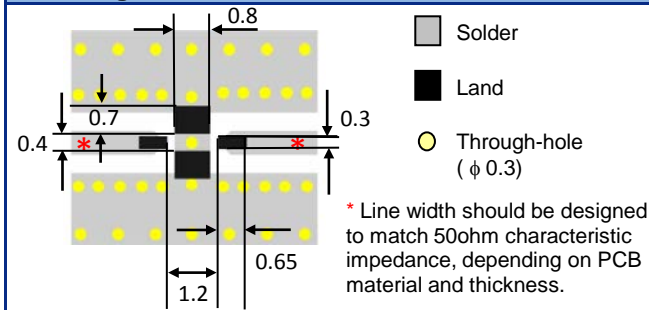
### Mechanical Specifications

	In	mm	Bottom View		Top View		Side View	
L	0.063 ± 0.006	1.60 ± 0.15						
W	0.031 ± 0.006	0.80 ± 0.15						
T	0.024 ± 0.002	0.60 ± 0.05						
a	0.012 ± 0.004	0.30 ± 0.10						
b	0.028 ± 0.004	0.70 ± 0.10						
c	0.008 ± 0.004	0.20 ± 0.10						
d	0.006 ± 0.002	0.15 ± 0.05						

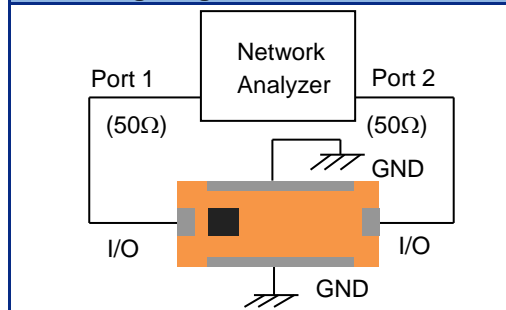
### Terminal Configuration

1	GND
2	OUT
3	GND
4	IN

### Mounting Considerations



### Measuring Diagram



Want the layout file of the above? Send us a message at: [www.johansontechnology.com/ask-a-question](http://www.johansontechnology.com/ask-a-question)

Johanson Technology, Inc. reserves the right to make design changes without notice.

All sales are subject to Johanson Technology, Inc. terms and conditions.



[www.johansontechnology.com](http://www.johansontechnology.com)

4001 Calle Tecate • Camarillo, CA 93012 • TEL 805.389.1166 FAX 805.389.1821

Ver. 1.2

2017 Johanson Technology, Inc. All Rights Reserved

# High Frequency Ceramic Solutions

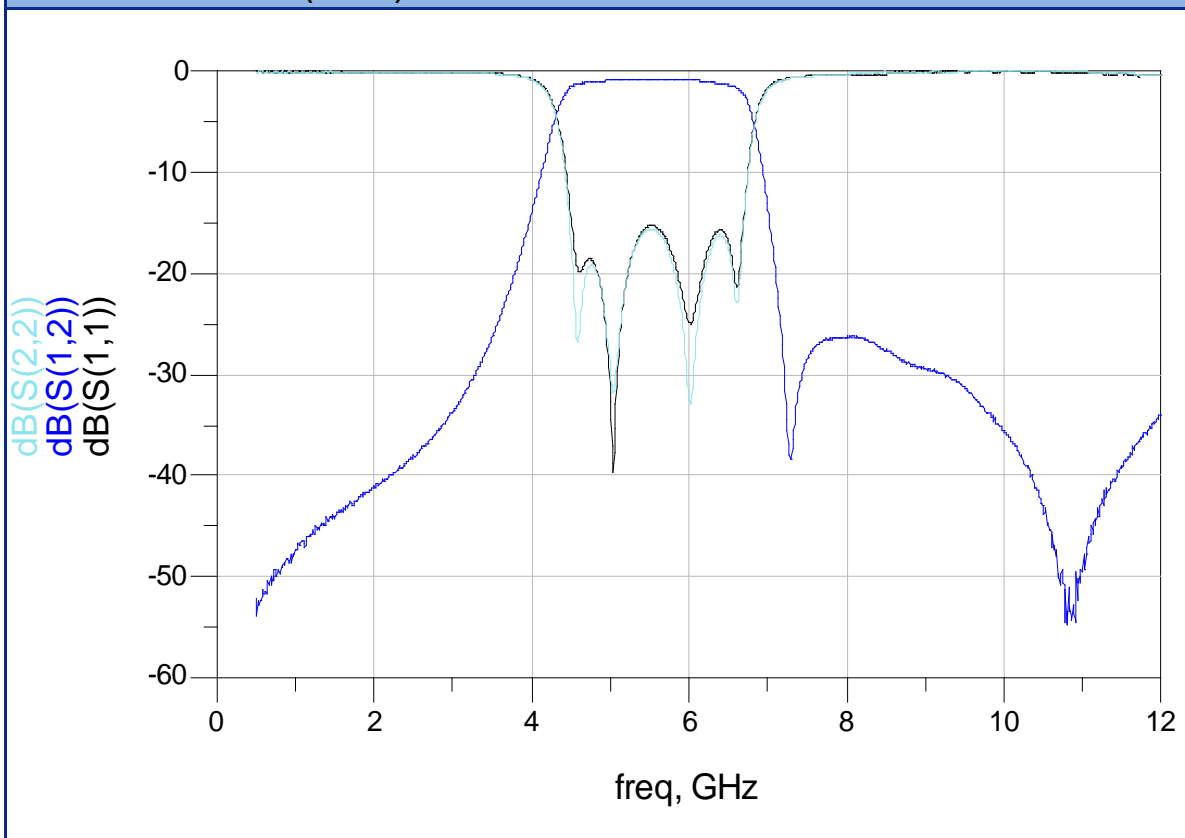
5.4GHz Band Pass Filter, EIA 0603, SMD

P/N 5400BP14A0950

Detail Specification: 5/17/2017

Page 2 of 3

## Electrical Characteristics (T=25°C)



Johanson Technology, Inc. reserves the right to make design changes without notice.  
All sales are subject to Johanson Technology, Inc. terms and conditions.



[www.johansontechnology.com](http://www.johansontechnology.com)

4001 Calle Tecate • Camarillo, CA 93012 • TEL 805.389.1166 FAX 805.389.1821

Ver. 1.2

2017 Johanson Technology, Inc. All Rights Reserved

# High Frequency Ceramic Solutions

**5.4GHz Band Pass Filter, EIA 0603, SMD**

**P/N 5400BP14A0950**

Detail Specification: 5/17/2017

Page 3 of 3

## RoHS Compliance

[www.johansontechnology.com/rohs-compliance](http://www.johansontechnology.com/rohs-compliance)

## Packaging information

[www.johansontechnology.com/tape-reel-packaging](http://www.johansontechnology.com/tape-reel-packaging)

## Soldering Information

[www.johansontechnology.com/ipcsoldering-profile](http://www.johansontechnology.com/ipcsoldering-profile)

## Power Capacity

[www.johansontechnology.com/ask-a-question](http://www.johansontechnology.com/ask-a-question)

## MSL Info

[www.johansontechnology.com/msl-rating](http://www.johansontechnology.com/msl-rating)

## Recommended Storage Condition and Max Shelf Life

[www.johansontechnology.com/recommended-storage-conditions](http://www.johansontechnology.com/recommended-storage-conditions)

## Antenna layout and tuning techniques

[www.johansontechnology.com/tuning](http://www.johansontechnology.com/tuning)

## Antenna layout review, tuning, and characterization services

[www.johansontechnology.com/ipc-antenna-services](http://www.johansontechnology.com/ipc-antenna-services)

Johanson Technology, Inc. reserves the right to make design changes without notice.  
All sales are subject to Johanson Technology, Inc. terms and conditions.



[www.johansontechnology.com](http://www.johansontechnology.com)

4001 Calle Tecate • Camarillo, CA 93012 • TEL 805.389.1166 FAX 805.389.1821

Ver. 1.2

2017 Johanson Technology, Inc. All Rights Reserved

# Mouser Electronics

Authorized Distributor

Click to View Pricing, Inventory, Delivery & Lifecycle Information:

[Johanson:](#)

[5400BP14A0950T](#)