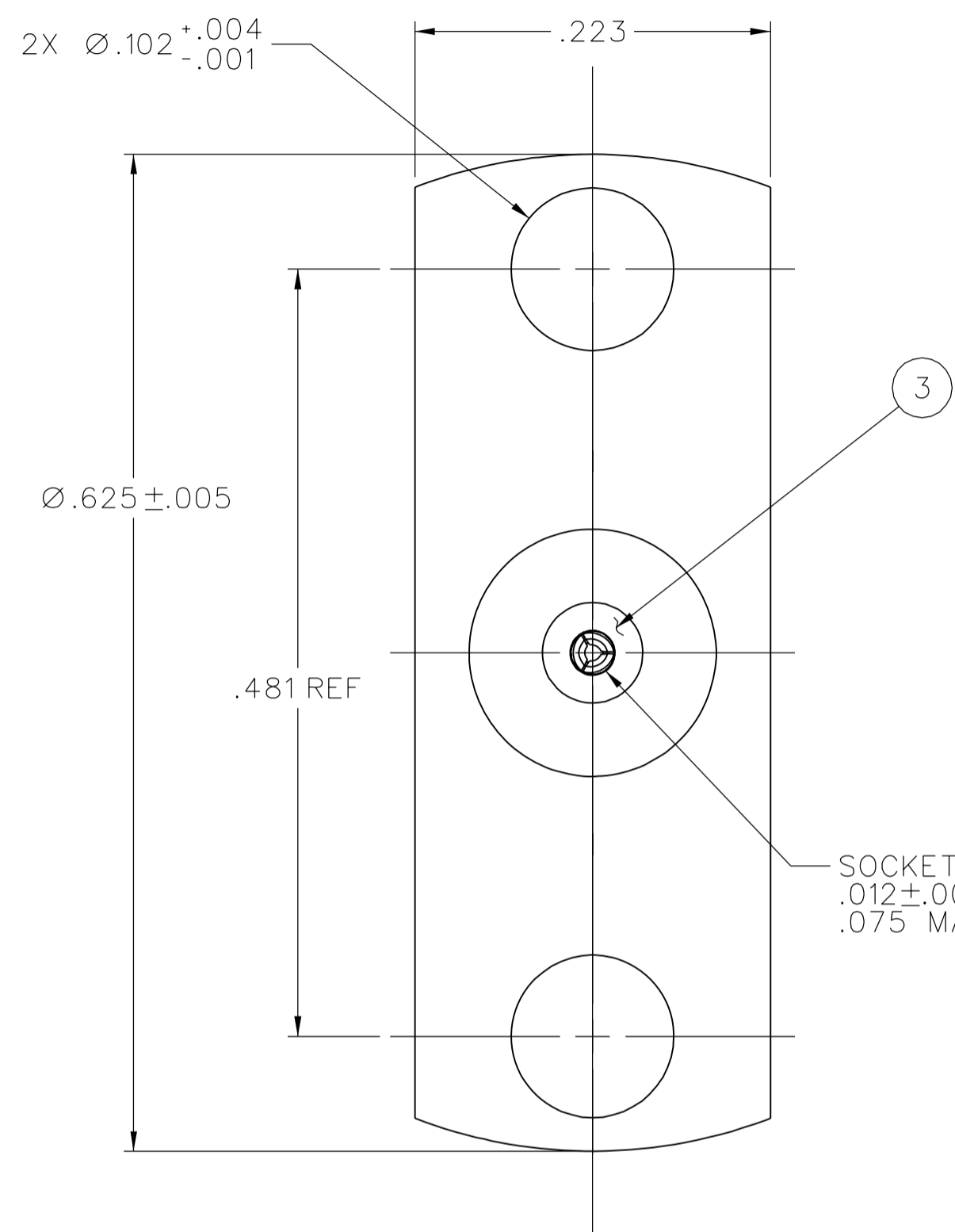


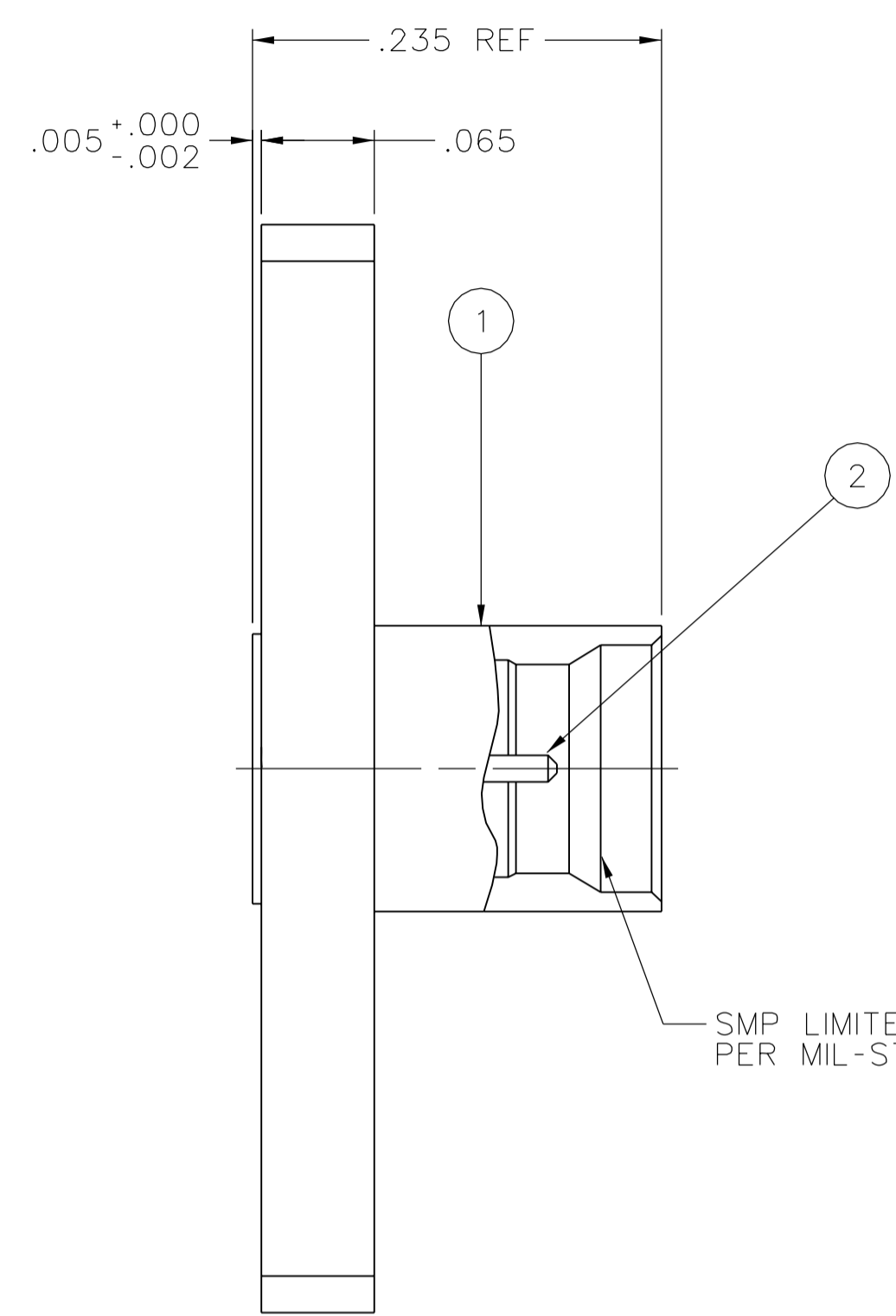
PART NUMBER 127-1701-612	ITEM ① BODY STAINLESS STEEL PASSIVATE	ITEM ② CONTACT BERYLLIUM COPPER GOLD PL .00005 MIN OVER NICKEL PL .00005 MIN OVER COPPER PL .00005 MIN	ITEM ③ INSULATOR TEFLON
-----------------------------	--	---	-------------------------------

DRAWING NO.  
C - 127-1701-611/620

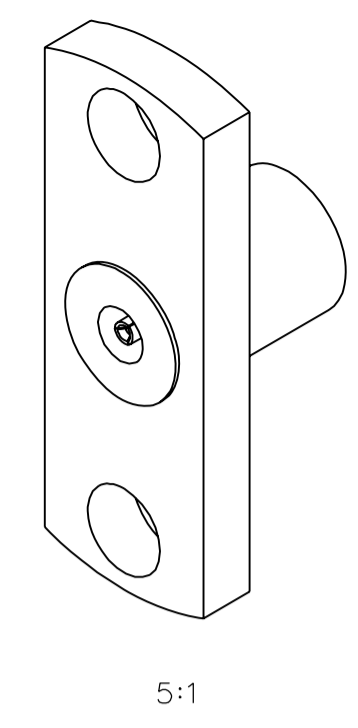
0	REVISIONS					
ENGINEERING RELEASE						
1	6-20-07	PAT	JRK	MPD	JCN	6-21-07
					ECN 51095	



SOCKET SHALL ACCEPT  
.012±.001 DIA PIN  
.075 MAX DEPTH



SMP LIMITED DETENT INTERFACE  
PER MIL-STD-348A



NOTES:

1. SPECIFICATIONS:
- IMPEDENCE: 50 OHMS NOMINAL
  - FREQUENCY RANGE: 0-18 GHz
  - VSWR: DEPENDANT UPON APPLICATION, TYPICALLY < 1.15
  - WORKING VOLTAGE: 335 VRMS MAX AT SEA LEVEL
  - DIELECTRIC WITHSTANDING VOLTAGE: 500 VRMS MIN AT SEA LEVEL
  - INSULATION RESISTANCE: 5000 MEGOHM MIN
  - CONTACT RESISTANCE:
    - CENTER CONTACT - INITIAL 6.0 MILLIOHM MAX, AFTER ENVIRONMENTAL NOT APPLICABLE
    - OUTER CONDUCTOR - INITIAL 2.0 MILLIOHM MAX, AFTER ENVIRONMENTAL NOT APPLICABLE
  - INSERTION LOSS:  $0.10\sqrt{F}$  (GHz) dB MAX, TESTED AT 10 GHz
  - CORONA LEVEL: 190 VOLTS MIN AT 70,000 FEET
  - RF LEAKAGE: -80 dB TYPICAL, TESTED AT 2.5 GHz
  - RF HIGH POTENTIAL WITHSTANDING VOLTAGE: 325 VRMS MIN AT 4 AND 7 MHz
- MECHANICAL:
- INTERFACE DESIGN: IN ACCORDANCE WITH MIL-STD-348A, SERIES SMP
  - ENGAGEMENT FORCE: 10.0 LBS MAX
  - DISENGAGEMENT FORCE: 2.0 LBS MIN
  - CONTACT RETENTION: 1.5 LBS MIN AXIAL FORCE
  - DURABILITY: 500 CYCLES MIN (SMP INTERFACE ONLY)
- ENVIRONMENTAL:
- (MEETS OR EXCEEDS THE APPLICABLE PARAGRAPH OF DSCC DWG NO. 94007)
  - OPERATING TEMPERATURE: -65°C TO 165°C
  - THERMAL SHOCK: MIL-STD-202, METHOD 107, CONDITION B, EXCEPT 165°C HIGH TEMP
  - MECHANICAL SHOCK: MIL-STD-202, METHOD 213, CONDITION I
  - CORROSION: MIL-STD-202, METHOD 101, CONDITION B
  - VIBRATION: MIL-STD-202, METHOD 204, CONDITION D
  - MOISTURE RESISTANCE: MIL-STD-202, METHOD 106, EXCEPT STEP 7B OMITTED

THIS DRAWING TO BE INTERPRETED  
PER ASME Y 14.5M - 1994

"μSTATION"

COMPANY CONFIDENTIAL

TOLERANCE UNLESS OTHERWISE SPECIFIED		DRAWN BY PAT	DATE 4-9-07
DECIMALS	mm	CHECKED BY JRK	DATE 6-20-07
.XX	_____	APPROVED BY PDW	DATE 6-21-07
.XXX ±.003	_____	RELEASE DATE	6-21-07
MATL	_____	U/M	INCH
FINISH	_____	SCALE	10:1

**cinch** CONNECTIVITY SOLUTIONS  
a bel group

Cinch Connectivity Solutions  
P.O. Box 1732  
Waseca, MN 56093  
1-800-247-8256

TITLE  
SMP LIMITED DETENT  
FIELD REPLACEABLE

SHEET  
2 OF 2

DRAWING NO.  
C - 127-1701-611/620

# Mouser Electronics

Authorized Distributor

Click to View Pricing, Inventory, Delivery & Lifecycle Information:

[Cinch Connectivity Solutions:](#)

[127-1701-612](#)