

5

4

3

2

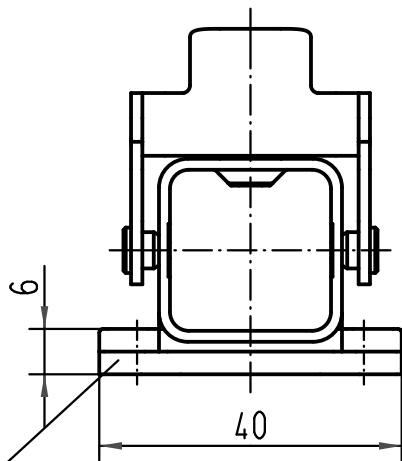
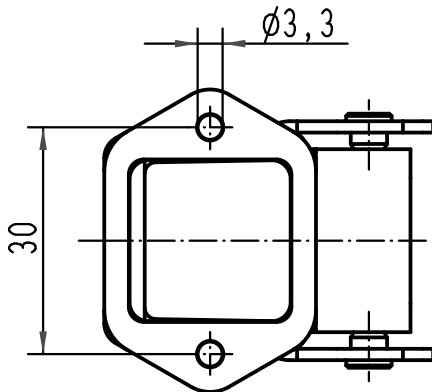
1

D

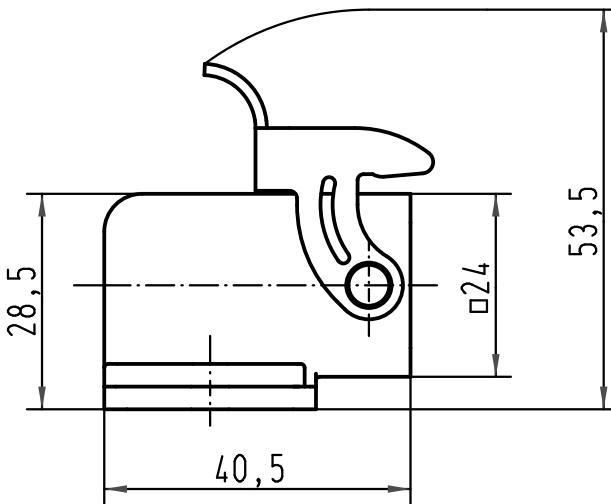
C

B

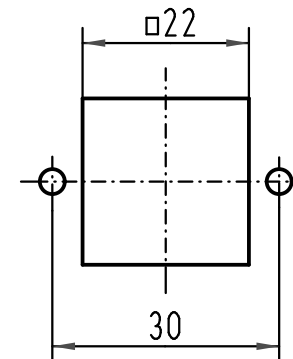
A



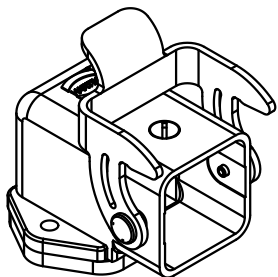
Dichtung/  
gasket



Montageausschnitt/  
panel cut out



Einsatzbefestigungsschraube M3x6 lose mitgeliefert  
Insert fixing screw M3x6 enclosed



|   |          |      |                                |          |      |  |  |  |
|---|----------|------|--------------------------------|----------|------|--|--|--|
| All Dimensions in mm<br>Original Size DIN A 4 |          |      | Techn. Character.              |          |      | Nicht tolerierte Maße/Free size tolerances |  |  |
|   |          |      |                                | Dat.     | Name | Maßstab/Scale<br><br>1:1                   |  | <b>Han 3M-agw-QB</b><br>Anbaugehäuse/<br>housing bulkhead mounting |
|   |          |      | Detail.                        | 28.08.02 | DY   |  |  |  |
|   |          |      | Insp.                          |          | KR   |  |  |  |
|   |          |      | Stand.                         |          |      |  |  |  |
| 414293  | 03.02.09 | ML   | HARTING Electric GmbH & Co. KG |          |      | <b>TB 09 37 003 0801</b>                   |  | Blatt/ page  |
| 410188  |          |      | D-32339 Espelkamp              |          |      |  |  |  |
| Mod.  | Dat.     | Name |                                |          |      |  |  |  |
|   |          |      | Sub.                           |          |      |  |  |  |

# Mouser Electronics

Authorized Distributor

Click to View Pricing, Inventory, Delivery & Lifecycle Information:

[HARTING:](#)

[09370030801](#)