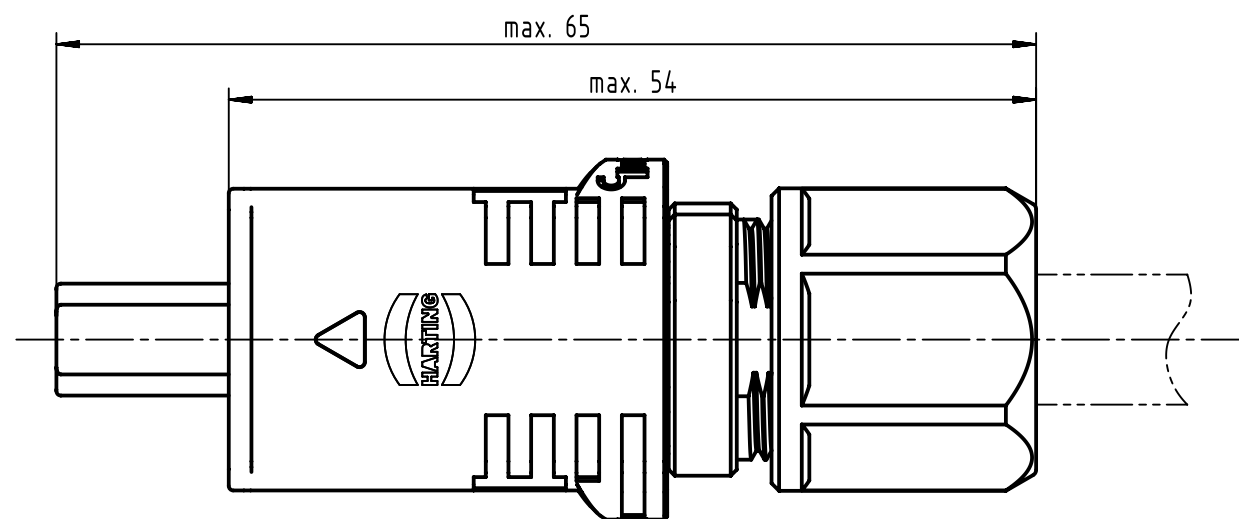
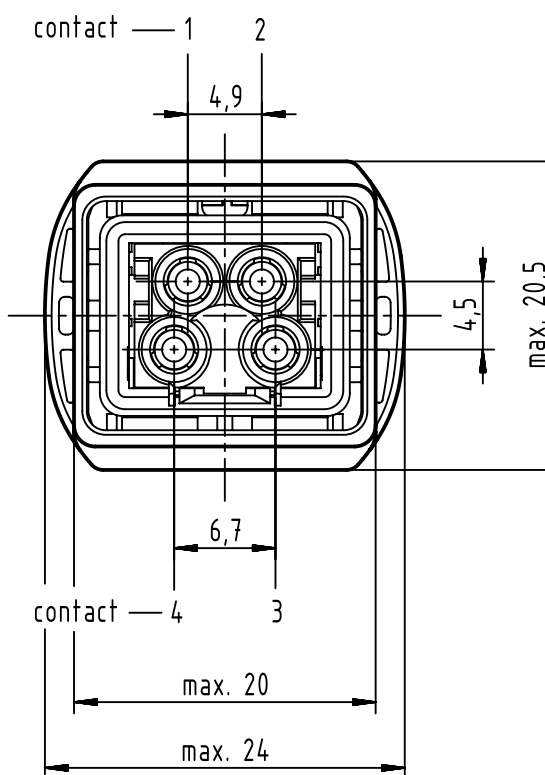
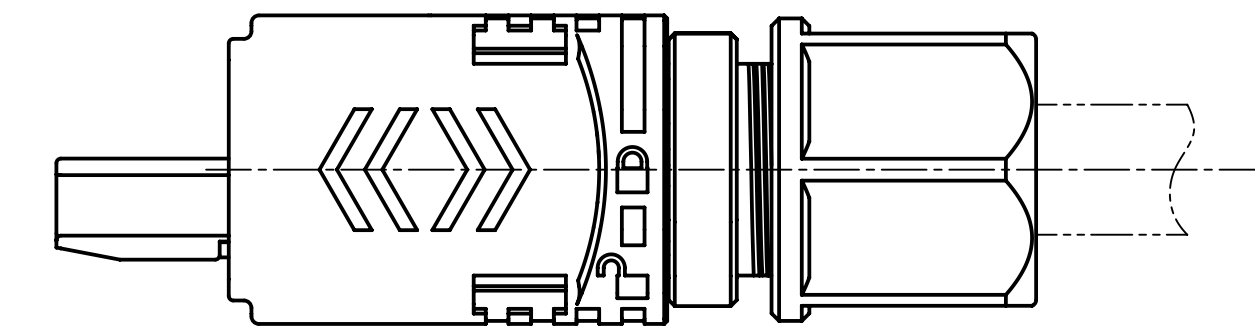
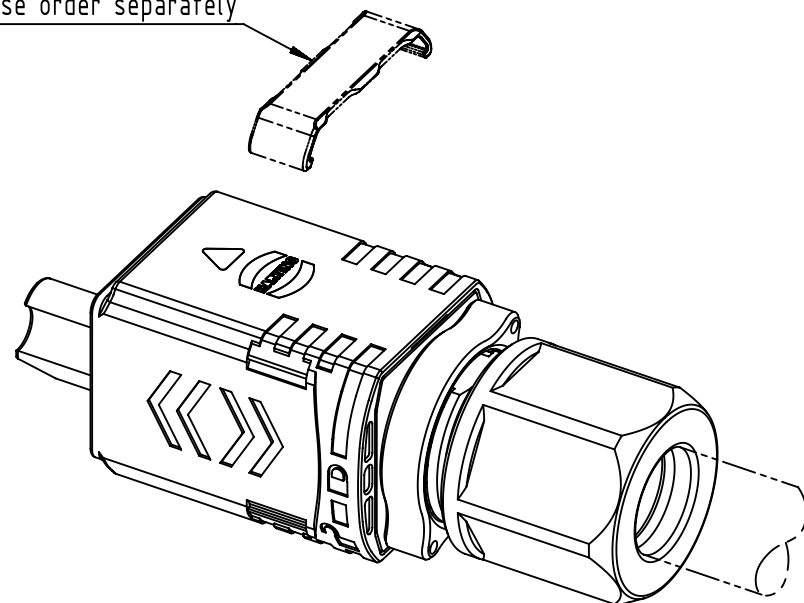



HARTING PushPull V4 Plug, Power, not assembled



Coding Clip for Plug
see TB 0945840000X
please order separately



further information see DS 09465100801

	All Dimensions in mm Original Size DIN A3		Scale 2:1	Free size tol.		Ref.	
	All rights reserved Department EC PD - DE		Created by HASELOH	Inspected by LUECKEMEIERM	Standardisation HOFFMANN	Date 2017-04-04	State Final Release
HARTING Electronics GmbH D-32339 Espelkamp		Title HARTING PushPull V4 Plug, Power, 48V/12A, 4-pole				Doc-Key / ECM-Nr. 100657807/UGD/000/D 500000117442	
		Type TB	Number 09461454420			Rev. D	Page 1/1

Mouser Electronics

Authorized Distributor

Click to View Pricing, Inventory, Delivery & Lifecycle Information:

[HARTING:](#)

[09461454420](#)