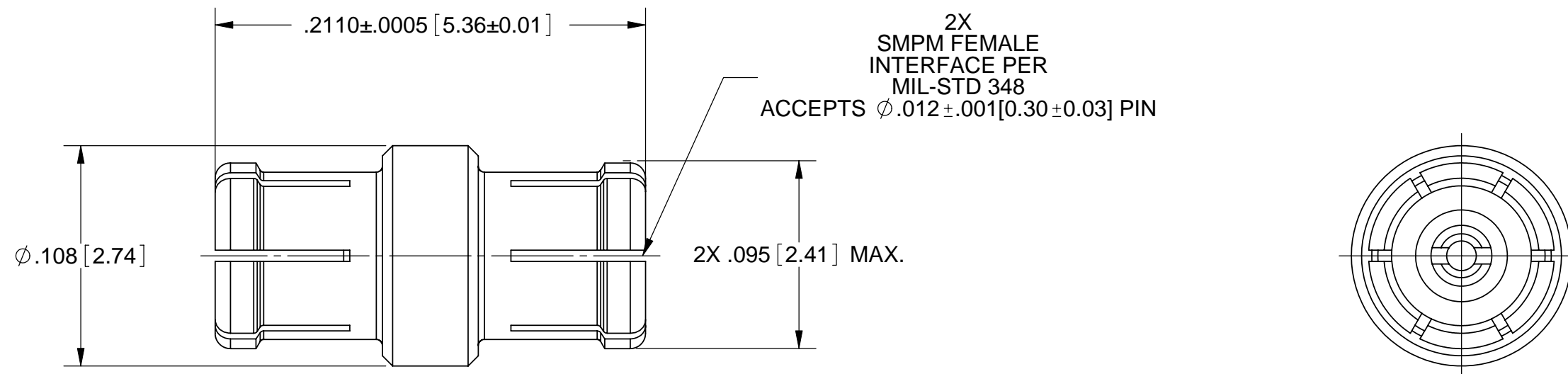


PRODUCT DATA DRAWING

| REVISION HISTORY | | | |
|------------------|----------------|----------|----------|
| REV | DESCRIPTION | DATE | APPROVED |
| 1 | PRELIMINARY | 05/12/05 | JM |
| - | REL. NRN 33498 | 11/29/05 | STW |
| A | DCN 37030 | 09/09 | DAL |



MATERIAL:

BODY & CONTACT: BERYLLIUM COPPER ALLOY C17300 PER ASTM B196

INSULATOR: PTFE PER ASTM D1710, TYPE I, GRADE 1, CLASS B

FINISH:

BODY & CONTACT: GOLD PER ASTM B 488, TYPE I, CODE C, CLASS 1.27;
OVER NICKEL PER AMS-QQ-N-290, CLASS 1, .00005" MIN.

PERFORMANCE

IMPEDANCE: 50 OHMS
FREQ. RANGE: DC TO 65.0 GHz
VSWR: 1.30:1 DC TO 50.0 GHz
OPERATING TEMP.: -55°C TO +125°C

| | | | |
|---|---|---|---|
| MATERIAL: SEE NOTES | DIMENSIONS ARE IN INCHES TOLERANCES: FRACTIONAL: $\pm 1/64$ ANGULAR: X° $\pm 1'0''$ X°X' $\pm 15''$ | UNLESS OTHERWISE SPECIFIED 1) ALL DIMENSIONS ARE IN INCHES (MILLIMETERS) 2) ALL DIMENSIONS ARE AFTER PLATING. 3) BREAK CORNERS & EDGES .005 R. MAX. 4) CHAM. 1ST & LAST THREADS. 5) SURFACE ROUGHNESS 63√ MIL-STD-10. 6) DIA.'S ON COMMON CENTERS TO BE CONCENTRIC WITHIN T.I.R. 7) REMOVE ALL BURRS | SV Microwave, Inc. 2400 Centrepark West Drive, Suite 100 West Palm Beach, FL 33409 |
| FINISH: SEE NOTES | DECIMAL: .X $\pm .030$.XX $\pm .010$.XXX $\pm .005$ | INTERPRET DIMENSIONS AND TOLERANCES PER ASME Y14.5M - 1994 | TITLE: ADAPTOR SMPM FEMALE TO FEMALE |
| SURFACE AREA: N/A | THIRD ANGLE PROJECTION | DRAWN: JMC 05/12/05 | SIZE: B CAGE CODE: 95077 DWG. NO.: 3290-4002 |
| PROPRIETARY THE INFORMATION CONTAINED IN THIS DRAWING IS THE SOLE PROPERTY OF SV MICROWAVE, INC. ANY REPRODUCTION IN PART OR AS A WHOLE WITHOUT THE WRITTEN PERMISSION OF SV MICROWAVE, INC IS PROHIBITED. | | CHECKED: JM 05/12/05 APPROVED: JM 05/12/05 | SCALE: 4:1 SHEET 1 OF 1 |

Mouser Electronics

Authorized Distributor

Click to View Pricing, Inventory, Delivery & Lifecycle Information:

[Amphenol:](#)

[3290-4002](#)