

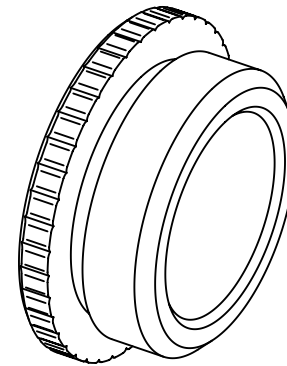
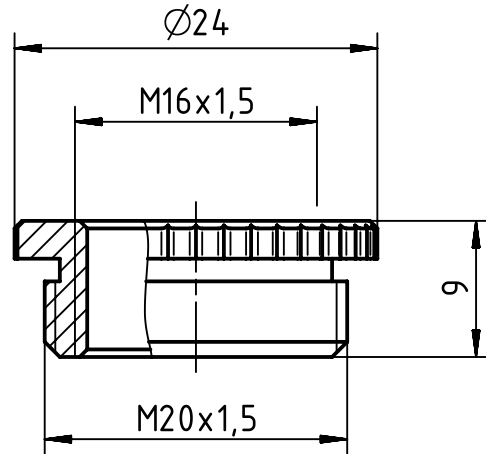
1 2 3 4 5 6


A

B

C

D



	All rights reserved Department EL PD - DE	Created by RULLKOETTER		Inspected by SCHNIEDER		Standardisation SCHMIDTM		Date 2013-10-08		State Final Release	
		Title Reducer M20/M16								Doc-Key / ECM-Nr. 100215189/UGD/000/A 500000067014	
HARTING Electric GmbH & Co. KG D-32339 Espelkamp		Type TB		Number 19 00 000 5060				Rev. A		Page 1/1	

Mouser Electronics

Authorized Distributor

Click to View Pricing, Inventory, Delivery & Lifecycle Information:

[HARTING:](#)

[19000005060](#)