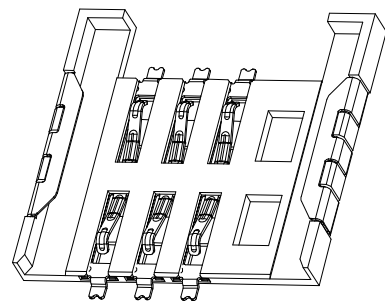
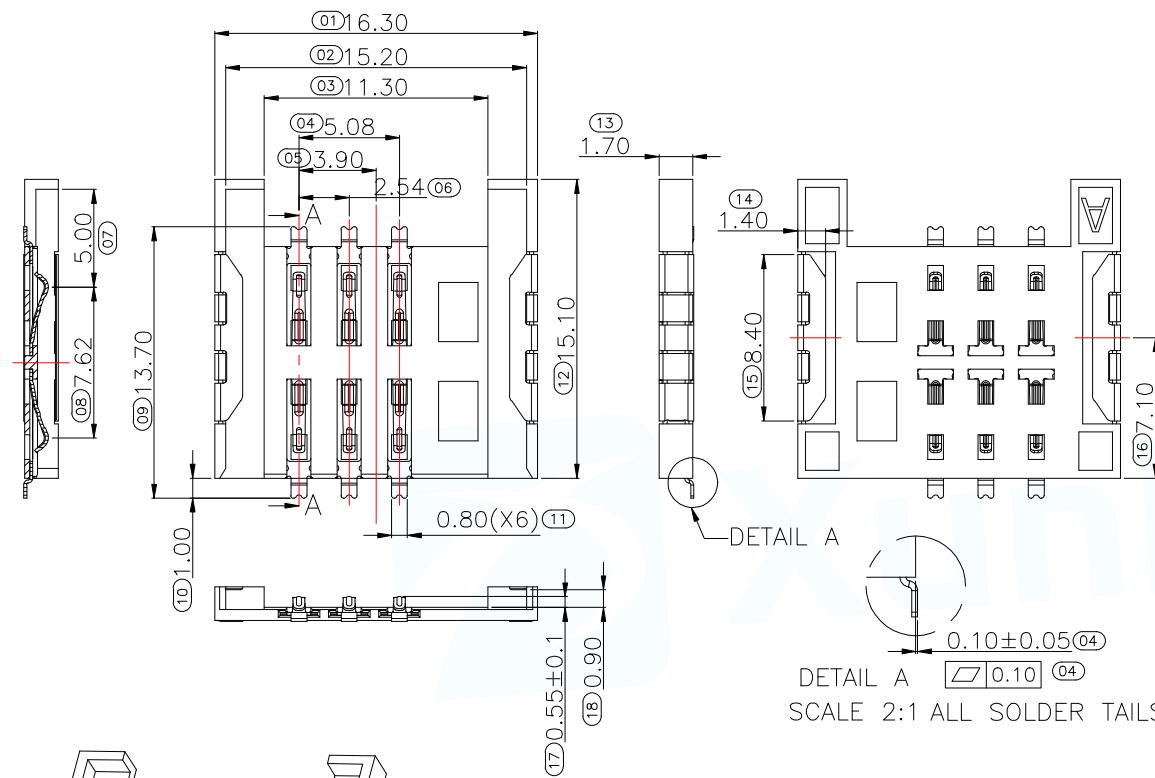
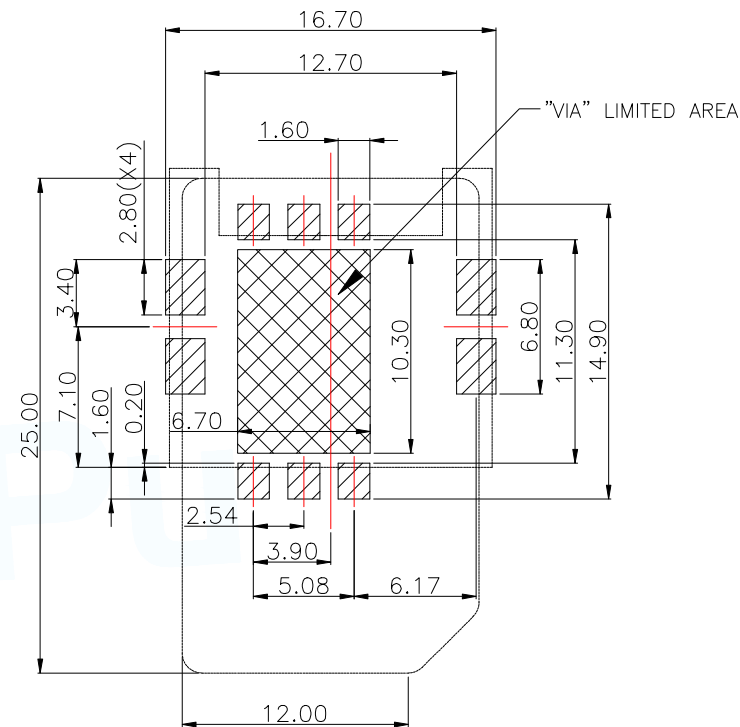


12	13	14	15
MAPX	MODIFICATION	DATE	DRAW



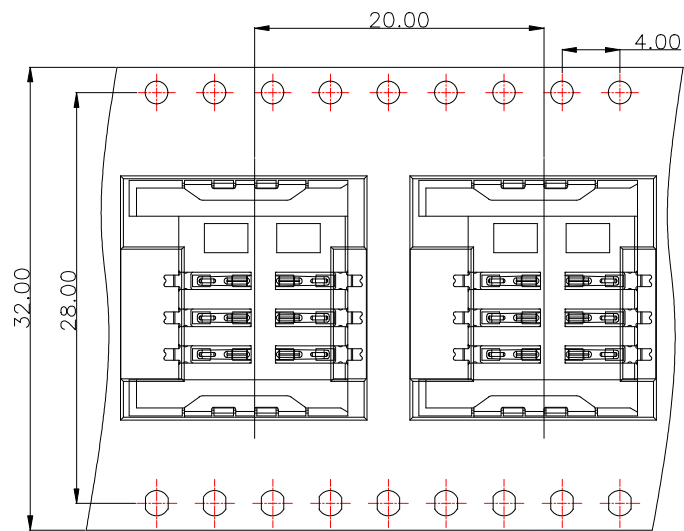
- NOTES:
- MATERIAL:
 - HOUSING: HI-TEMP PLASTIC,UL94V-0,BLACK
 - TERMINAL: COPPER ALLOY,T=0.15mm
 - LATCH: STAINLESS STEEL,T=0.15mm
 - FINISH :
 - TERMIANL: PLATED AU OVER ALL, UNDERPLATED NICKEL.
 - LATCH: PLATED AU OVER ALL, UNDERPLATED NICKEL.
 - OP. Temperature: -40°C~+85°C



RECOMMENDED PCB LAYOUT
TOLERANCE:±0.05

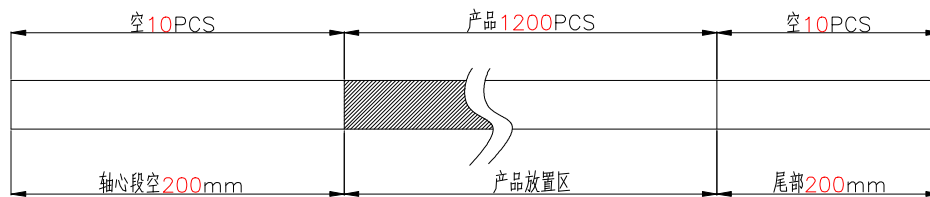
PAD
 KEEP OUT AREA

MANUFACTURE DWG			东莞市讯普电子科技有限公司 DongGuan XunPu Electronics Co.,Ltd	
UNLESS OTHERWISE SPECIFIED TOLERANCES			TITLE: SIM CARD 6P H1.7客户图	
DECIMALS:	ANGLES:	PAR	SIM-103-ARP6	
.X:±0.30	X.' :±2'	DWN		
.XX:±0.20	X.X' :±1'	CHKD		
.XXX:±0.10		APVD		
Website address		SCALE1:1	UNIT:MM	
		SIZE:A4	SHEET:1F1	REV:A



NOTES

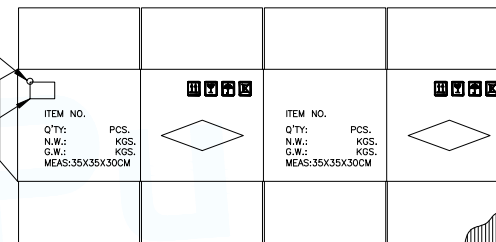
- 1.每卷包装数量:1200PCS/每卷
- 2.卷带包装方式:



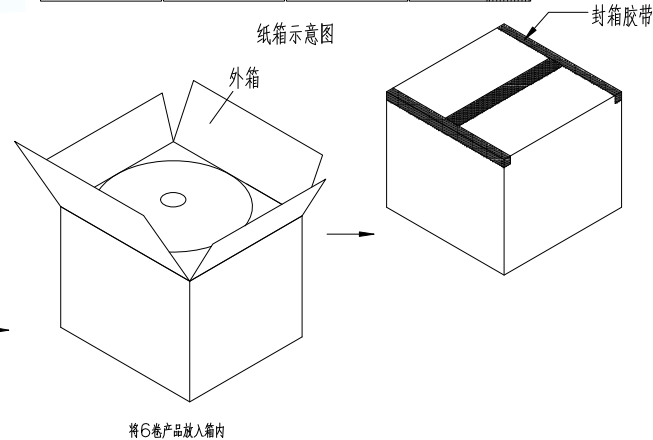
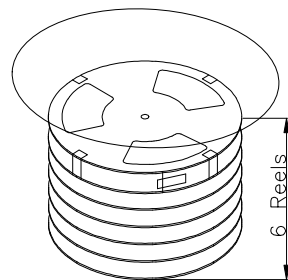
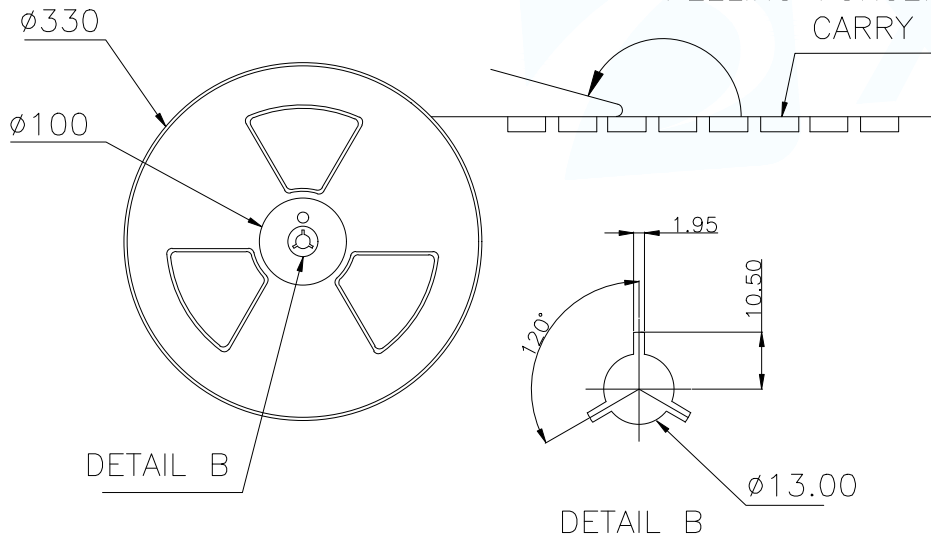
- 3.每箱包装数量:7200PCS/箱

RoHS 绿色环保标签

标签贴在纸箱左上角



COVER TAPE PEELING ANGLE:165°~180°
PEELING FORCE:30~100g
CARRY TAPE



1	1200	9	10.8K	35*35*34
ITEM	QTY/REEL	REEL/CARTON	QTY/CARTON	CARTON SIZE

MANUFACTURE DWG			 东莞市讯普电子科技有限公司 DongGuan XunPu Electronics Co.,Ltd	
UNLESS OTHERWISE SPECIFIED TOLERANCES			TITLE: SIM CARD 6P H1.7客户图	
DECIMALS:	ANGLES:		PAR	SIM-103-ARP6
.X:±0.30	X.':±2'		DWN	
.XX:±0.20	X.X':±1"	CHKD		
.XXX:±0.10		APVD		
Website address		SCALE1:1	UNIT:MM	
		SIZE:A4	SHEET:1F1	REV:A