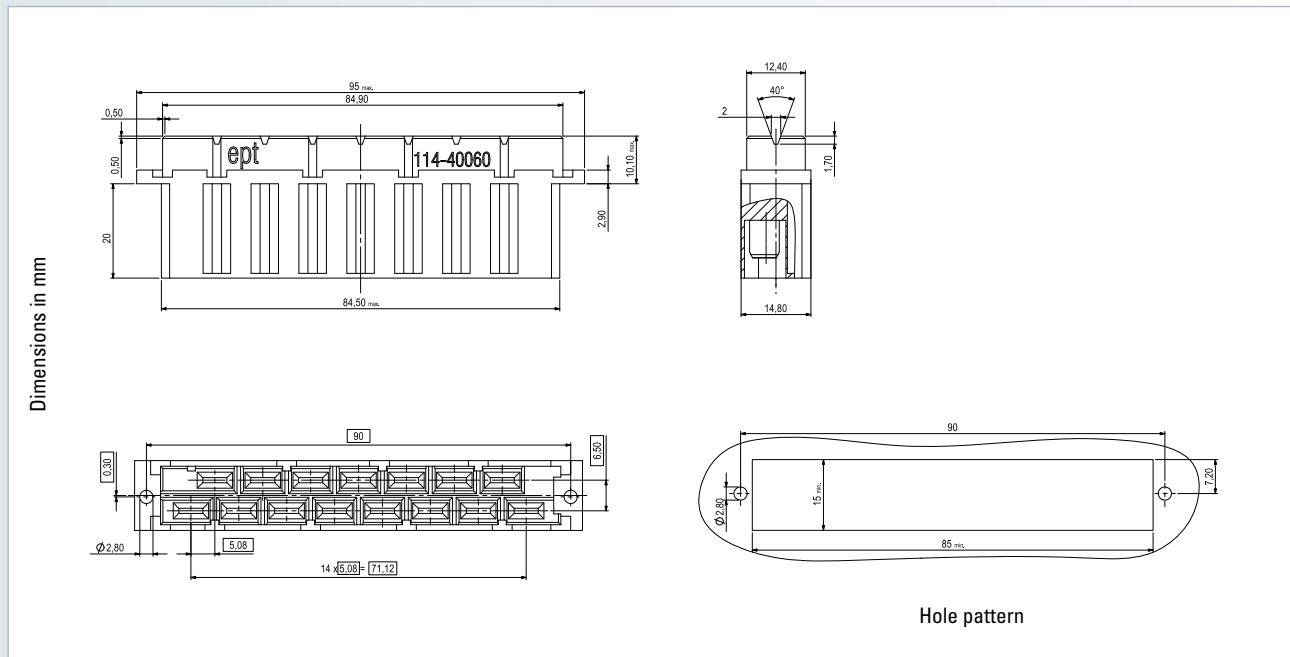


Connectors according to DIN 41612 / IEC 60603-2

Type H15

Female connector



No. of contacts	Contact arrangement	Faston – Performance level II	
		Termination length	Part number
15			114-40060



Options

– Board lock (see page 159)

Accessories

– Coding accessories (see page 160)