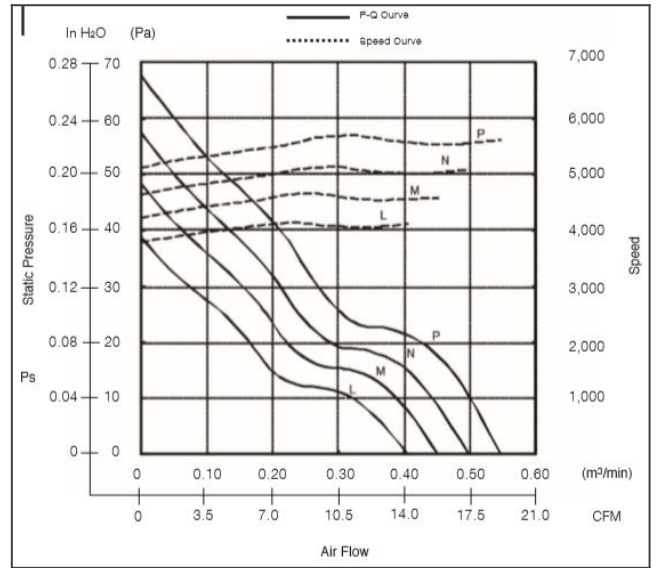


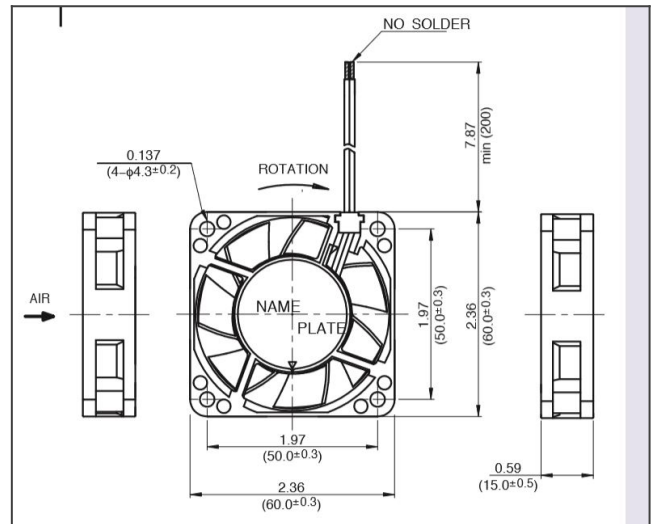
**order part 06015VA-12L-AT-00 Ball Bearing Fan DC Axial Fans**



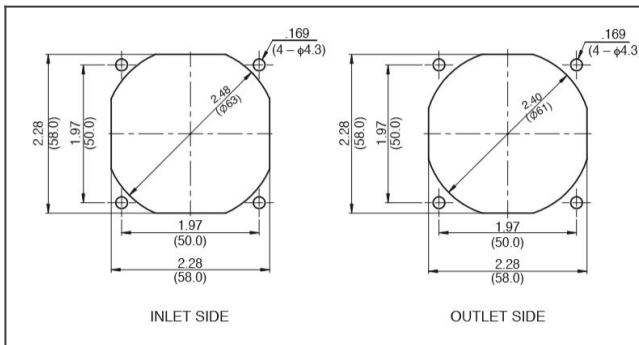
**06015VA characteristic curve**



**06015VA product drawing**



**06015VA panel cut out**



**DC Axial Fans**

## Detailed Specifications

|                                 |                               |
|---------------------------------|-------------------------------|
| <b>Fan Size:</b>                | 60[mm]                        |
| <b>Fan Width:</b>               | 15[mm]                        |
| <b>Max. Air Flow:</b>           | 14.5[CFM]                     |
| <b>Max. Air Flow:</b>           | 0.41[m <sup>3</sup> /min]     |
| <b>Max. Static Pressure:</b>    | 0.16[In H <sub>2</sub> O]     |
| <b>Fan Speed:</b>               | 4100[RPM]                     |
| <b>Noise:</b>                   | 28.5[dB]                      |
| <b>Life Expectancy:</b>         | 60 degree C 40,000 Hours[L10] |
| <b>Bearing Type:</b>            | Ball Bearing                  |
| <b>Speed Control:</b>           | -                             |
| <b>Nominal Voltage:</b>         | 12[V]                         |
| <b>Operating Voltage Lower:</b> | 6[V]                          |
| <b>Operating Voltage Upper:</b> | 13.8[V]                       |
| <b>Current:</b>                 | 0.08[A]                       |
| <b>Input Power:</b>             | 1[W]                          |
| <b>Mass:</b>                    | 55[g]                         |
| <b>IP Rating:</b>               | Standard                      |