

PLEASE CHECK WWW.MOLEX.COM FOR LATEST PART INFORMATION

Part Number: **0548190519**
Status: **Active**
Overview: USB Products and Solutions
Description: Mini USB, B-Receptacle, Right-Angle, Through Hole Solder Tails and Shell Tabs, Lead-Free

Documents:

[3D Model](#) [Product Specification PS-56579-015-001 \(PDF\)](#)
[3D Model \(PDF\)](#) [Packaging Specification SPK-54819-001-001 \(PDF\)](#)
[Drawing \(PDF\)](#) [RoHS Certificate of Compliance \(PDF\)](#)

Agency Certification

UL E29179

General

Product Family I/O Connectors
Series [54819](#)
Application Wire-to-Board
Component Type Receptacle
Overview [USB Products and Solutions](#)
Product Name USB 2.0, USB OTG (On-The-Go)
Type Mini-B
UPC 822348124435

Physical

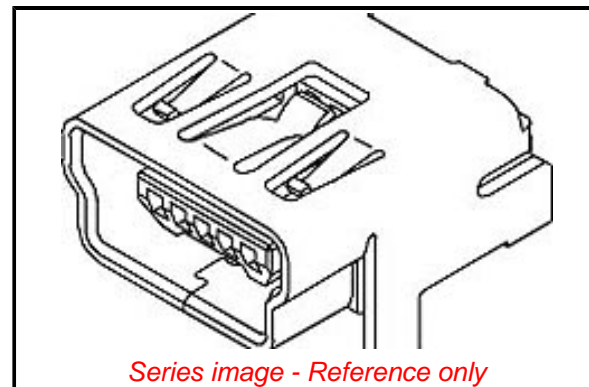
Circuits (Loaded) 5
Circuits (maximum) 5
Color - Resin Black
Flammability 94V-0
Gender Female
Lock to Mating Part Yes
Material - Metal High Performance Alloy (HPA)
Material - Plating Mating Gold
Material - Plating Termination Tin
Material - Resin High Temperature Thermoplastic
Net Weight 0.572g
Orientation Right Angle
PC Tail Length 1.80mm
PCB Retention Yes
PCB Thickness - Recommended 1.00mm
Packaging Type Tray
Panel Mount No
Pitch - Mating Interface 0.80mm
Plating min - Mating 0.762µm
Plating min - Termination 1.016µm
Polarized to Mating Part Yes
Surface Mount Compatible (SMC) Yes
Temperature Range - Operating -20° to +85°C
Termination Interface: Style Through Hole

Electrical

Current - Maximum per Contact 1.0A
Shielded Yes
Voltage - Maximum 30V

Solder Process Data

Duration at Max. Process Temperature (seconds) 010
Lead-freeProcess Capability REFLOW



Series image - Reference only

EU ELV

Compliant

EU RoHS

Compliant

REACH SVHC

Not Contained Per -
D(2020)4578-DC (25
June 2020)

Halogen-Free

Status

Not Low-Halogen

For more information, please visit [Contact US](#)

China ROHS

ELV

RoHS Phthalates

China RoHS

Green Image

Compliant

Not Contained

Search Parts in this Series

[54819 Series](#)

Mates With

[592049401](#) , [592053301](#)

Max. Cycles at Max. Process Temperature	001
Process Temperature max. C	260

Material Info

Reference - Drawing Numbers

Electrical Model Document	EE-54819-0001
Packaging Specification	SPK-54819-001-001
Product Specification	PS-56579-015-001
S-Parameter Model	SP-54819-67542-0001
Sales Drawing	SD-54819-026

This document was generated on 07/17/2020

PLEASE CHECK WWW.MOLEX.COM FOR LATEST PART INFORMATION