

PLEASE CHECK WWW.MOLEX.COM FOR LATEST PART INFORMATION

Part Number: [0534260810](#)
Status: **Active**
Overview: Mini-Lock™ Wire-to-Board Connector System
Description: 2.50mm Pitch Mini-Lock™ Wire-to-Board Header, Right Angle, Friction and Positive Lock, 8 Circuits

Documents:

| | |
|--|---|
| 3D Model | Product Specification PS-51163-002-001 (PDF) |
| Drawing (PDF) | Packaging Specification SPK-53426-002-001 (PDF) |
| Product Specification PS-51102-002-001 (PDF) | RoHS Certificate of Compliance (PDF) |
| Product Specification PS-51103-005-001 (PDF) | |

Agency Certification

| | |
|-----|---------|
| CSA | LR19980 |
| UL | E29179 |

General

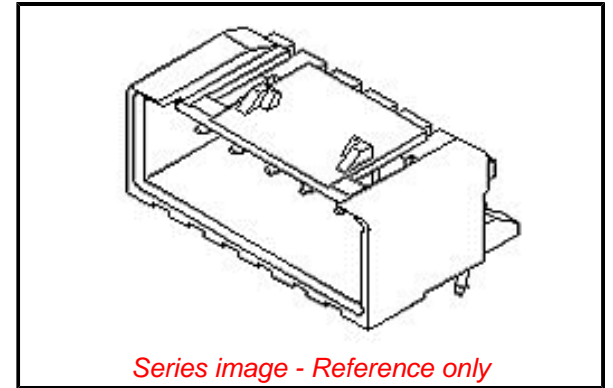
| | |
|----------------|---|
| Product Family | PCB Headers |
| Series | 53426 |
| Application | Signal, Wire-to-Board |
| MolexKits | Yes |
| Overview | Mini-Lock™ Wire-to-Board Connector System |
| Product Name | Mini-Lock™ |
| UPC | 800754357203 |

Physical

| | |
|--------------------------------|-----------------|
| Breakaway | No |
| Circuits (Loaded) | 8 |
| Circuits (maximum) | 8 |
| Color - Resin | White |
| Durability (mating cycles max) | 30 |
| Flammability | 94V-0 |
| Glow-Wire Compliant | No |
| Keying to Mating Part | Yes |
| Lock to Mating Part | Yes |
| Material - Metal | Phosphor Bronze |
| Material - Plating Mating | Tin |
| Material - Plating Termination | Tin |
| Net Weight | 1071.400/mg |
| Number of Rows | 1 |
| Orientation | Right Angle |
| PC Tail Length | 3.40mm |
| PCB Locator | No |
| PCB Retention | Yes |
| PCB Thickness - Recommended | 1.60mm |
| Packaging Type | Tray |
| Pitch - Mating Interface | 2.50mm |
| Polarized to PCB | No |
| Shrouded | Fully |
| Stackable | No |
| Surface Mount Compatible (SMC) | No |
| Temperature Range - Operating | -40°C to +105°C |
| Termination Interface: Style | Through Hole |

Electrical

| | |
|-------------------------------|------|
| Current - Maximum per Contact | 3.0A |
| Voltage - Maximum | 250V |



EU ELV

Not Relevant

EU RoHS

Compliant

REACH SVHC

Not Contained Per -
ED/21/2016 (20 June
2016)

Halogen-Free

Status

Not Low-Halogen

Need more information on product environmental compliance?

Email productcompliance@molex.com
Please visit the [Contact Us](#) section for any non-product compliance questions.

| | |
|-----------------|---------------|
| China ROHS | Green Image |
| ELV | Not Relevant |
| RoHS Phthalates | Not Contained |

Search Parts in this Series

[53426 Series](#)

Mates With

[51102](#) Housing with Friction Lock, [51103](#) Housing with Positive Lock, [51163](#) , [51164](#) Housing with Positive Lock and Retainer, [50351](#) Crimp Terminal, [50752](#) Crimp Terminal

Material Info

Reference - Drawing Numbers

Packaging Specification

Product Specification

Sales Drawing

SPK-53426-002-001

PS-51102-002-001, PS-51103-005-001,

PS-51163-002-001

SD-53426-001

This document was generated on 12/20/2016

PLEASE CHECK WWW.MOLEX.COM FOR LATEST PART INFORMATION