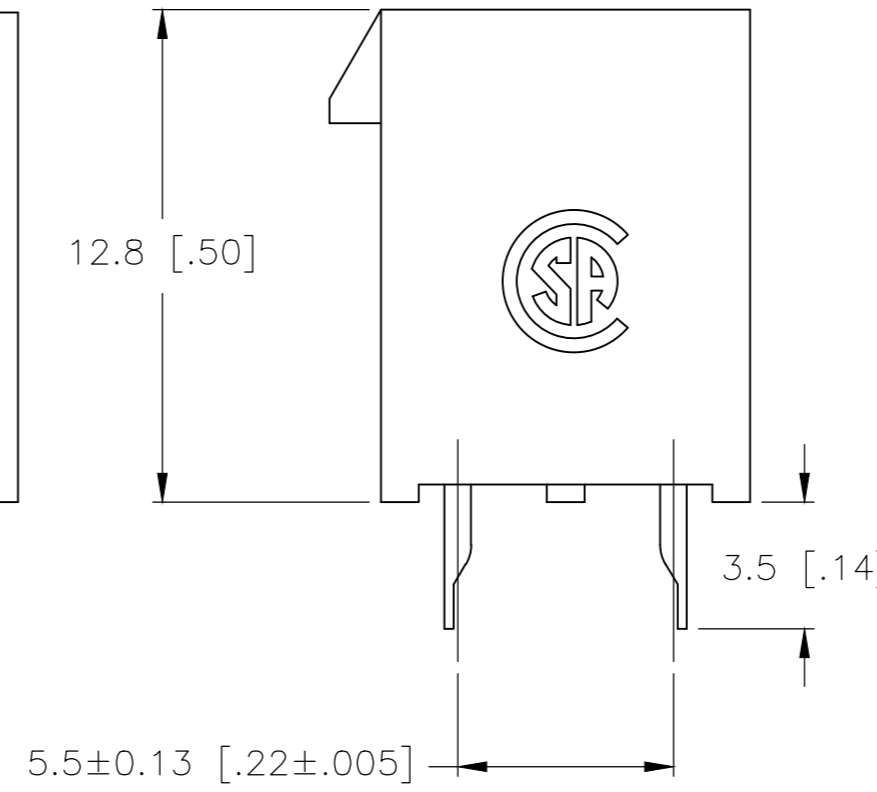
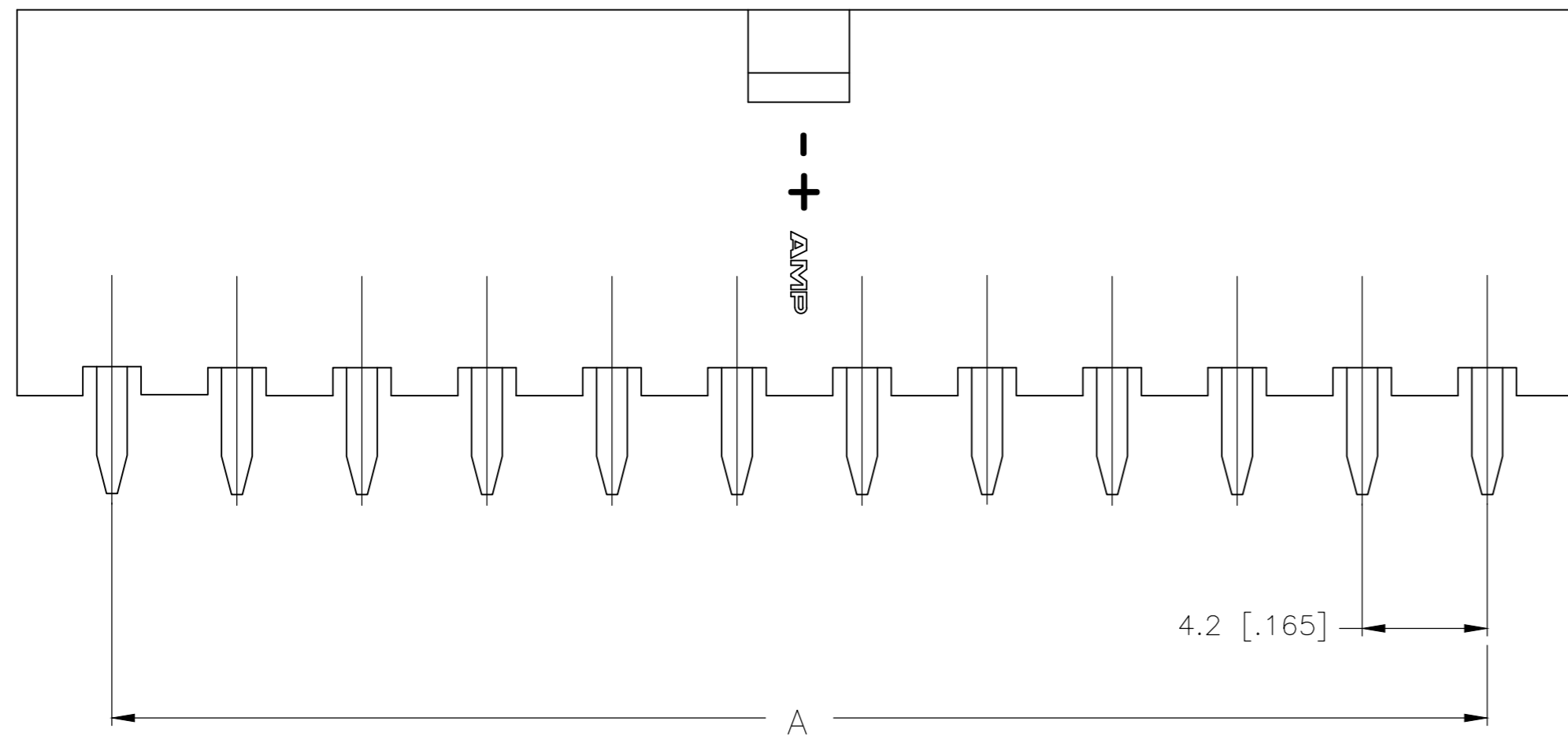
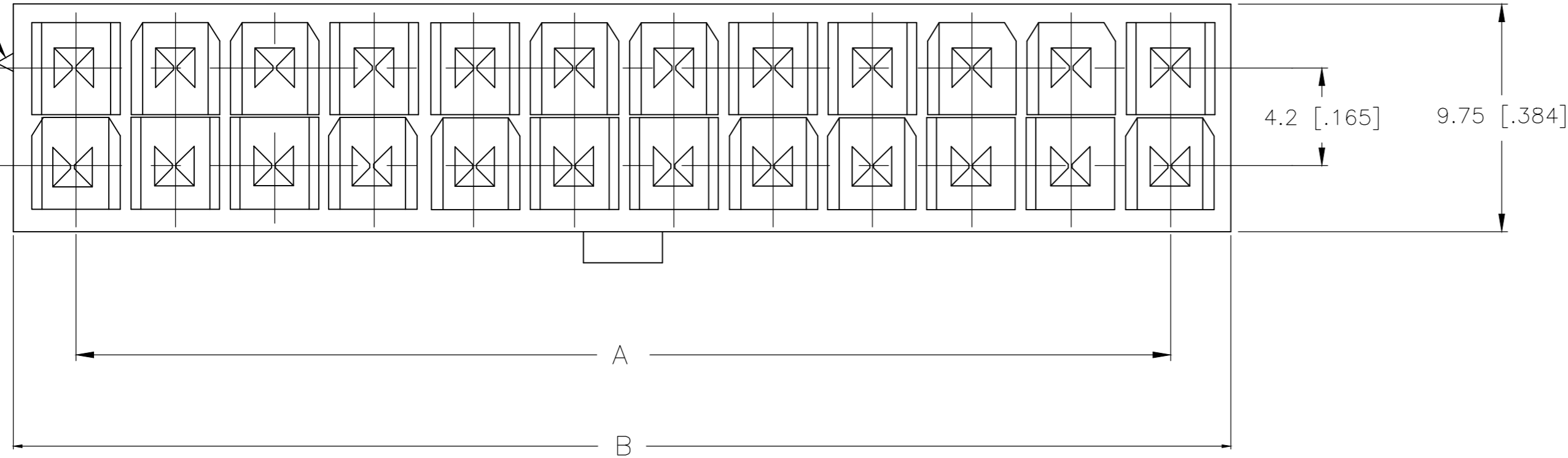


REVISIONS					
P	LTR	DESCRIPTION	DATE	DWN	APVD
B5		REVISED PER ECR-19-013240	06MAY2020	WH	DZ

POSITION 1 IDENTIFICATION FEATURE

- 1 MATERIAL: HOUSING-NYLON, UL94V-2 (COLOR-NATURAL, COLOR OF PARTS MAY VARY) CONTACTS-0.25 [.010] THICK BRASS ALLOY.
- 2 CONTACT FINISH: 0.002032 [.000080] MIN BRIGHT TIN OVER 0.000381 [.000015] MIN NICKEL OVER ENTIRE CONTACT.
- 3 MATES WITH VAL-U-LOK(TM) RECEPTACLE HOUSINGS.



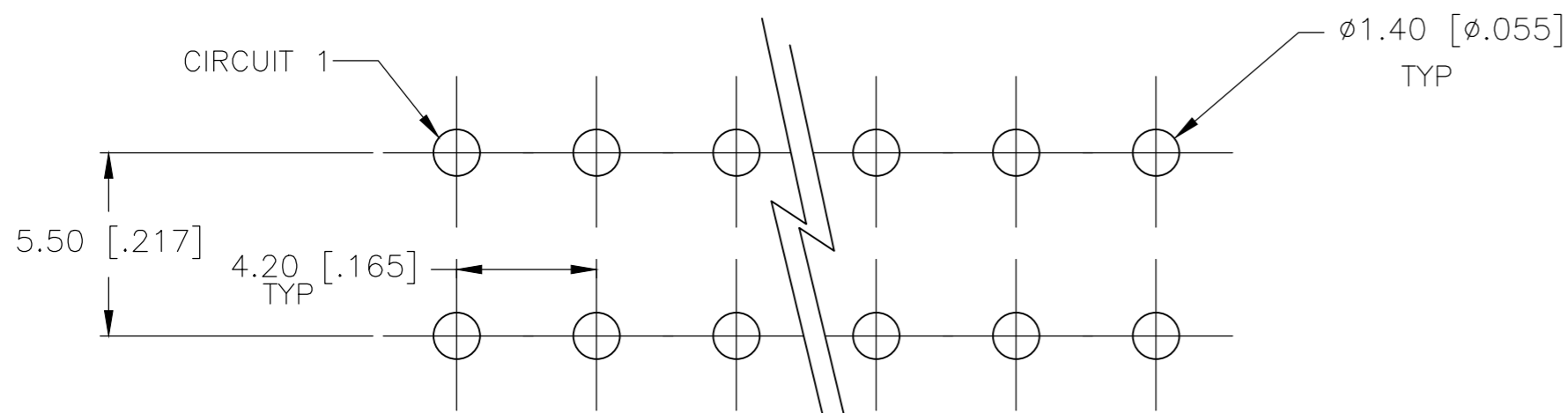
24	46.2±0.25 [1.82±.01]	51.6 [2.03]	2-1586037-4
22	42.0±0.25 [1.65±.01]	47.4 [1.87]	2-1586037-2
20	37.8±0.25 [1.49±.01]	43.2 [1.70]	2-1586037-0
18	33.6±0.25 [1.32±.01]	39.0 [1.54]	1-1586037-8
16	29.4±0.25 [1.16±.01]	34.8 [1.37]	1-1586037-6
14	25.2±0.25 [.99±.01]	30.6 [1.21]	1-1586037-4
12	21.0±0.25 [.83±.01]	26.4 [1.04]	1-1586037-2
10	16.8±0.13 [.66±.005]	22.2 [.87]	1-1586037-0
8	12.6±0.13 [.50±.005]	18.0 [.71]	1586037-8
6	8.4±0.13 [.33±.005]	13.8 [.54]	1586037-6
4	4.2±0.13 [.17±.005]	9.6 [.38]	1586037-4
2		5.4 [.21]	1586037-2
POS	A	B±0.25[.01]	PART NUMBER

2-1586037-4 SHOWN

THIS DRAWING IS A CONTROLLED DOCUMENT.

DWN S. HOOVER 18-SEP-2002	TE Connectivity
CHK D. COLEY 18-SEP-2002	
APVD D. COLEY 18-SEP-2002	NAME
PRODUCT SPEC 108-2112	VERTICAL HEADER WITHOUT PEGS, WITH DRAIN HOLES VAL-U-LOK(TM)
APPLICATION SPEC 114-13172	SIZE A2 CAGE CODE 00779 DRAWING NO C=1586037
MATERIAL 1	WEIGHT -
FINISH 2	SCALE N/A SHEET 1 OF 1 REV B5

CUSTOMER DRAWING



PCB LAYOUT: COMPONENT SIDE
RECOMMENDED BOARD THICKNESS 1.60 [.063]

Mouser Electronics

Authorized Distributor

Click to View Pricing, Inventory, Delivery & Lifecycle Information:

[TE Connectivity:](#)

[1586037-8](#)