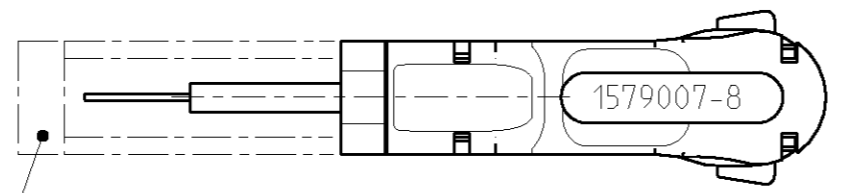
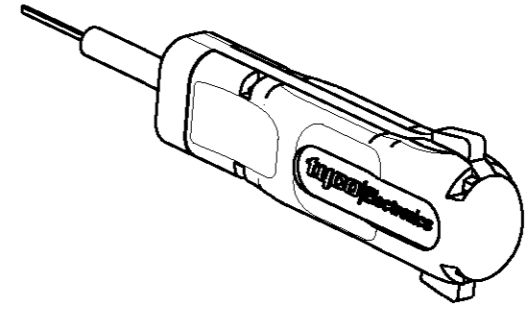
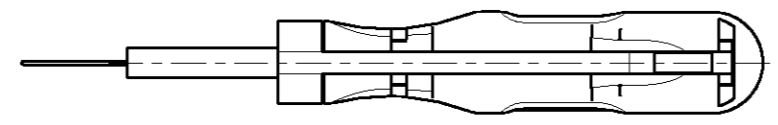
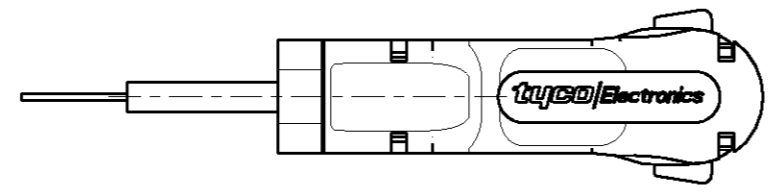


THIS DRAWING IS UNPUBLISHED. RELEASED FOR PUBLICATION 2003
 © COPYRIGHT 2003 BY TYCO ELECTRONICS CORPORATION. ALL RIGHTS RESERVED.

LOC	DIST	REVISIONS					
		P	LTR	DESCRIPTION	DATE	DWN	APVD
A1	-		A	EG00-1412-03	13MAR2003	ZA	-



COVER SLIDE
Schutzschieber

!! ONLY FOR SECONDARY UNLOCKING !!
 Nur fuer Sekundaerentriegelung !!

FOR CONTACTS: MLK 1.2 / HOUSING 1-1534205-1
 MCP 1.2

<small>THIS DRAWING IS A CONTROLLED DOCUMENT FOR TYCO ELECTRONICS CORPORATION IT IS SUBJECT TO CHANGE AND THE CONTROLLING ENGINEERING ORGANIZATION SHOULD BE CONTACTED FOR THE LATEST REVISION.</small>		DWN J. ZAJICEK 04FEB2004 CHK - APVD - PRODUCT SPEC - APPLICATION SPEC - WEIGHT -		tyco Electronics		tyco Electronics AMP GmbH D - 64625 Bensheim	
DIMENSIONS: mm 		TOLERANCES UNLESS OTHERWISE SPECIFIED: 0 PLC ± 1 PLC ± 2 PLC ± 3 PLC ± 4 PLC ± ANGLES ±1°		NAME EXTRACTION TOOL Entriegelungswerkzeug			
MATERIAL		FINISH		SIZE	CAGE CODE	DRAWING NO	RESTRICTED TO
				A3	00779	©=1579007-8	-
CUSTOMER DRAWING				SCALE	SHEET	OF	REV
				1:1	1	1	A

Mouser Electronics

Authorized Distributor

Click to View Pricing, Inventory, Delivery & Lifecycle Information:

[TE Connectivity:](#)

[1579007-8](#)