

4

3

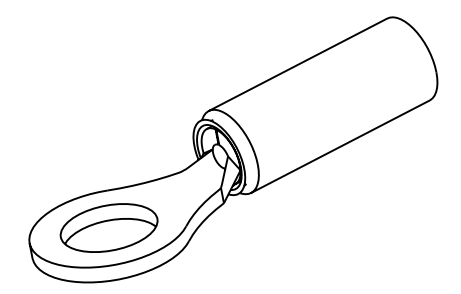
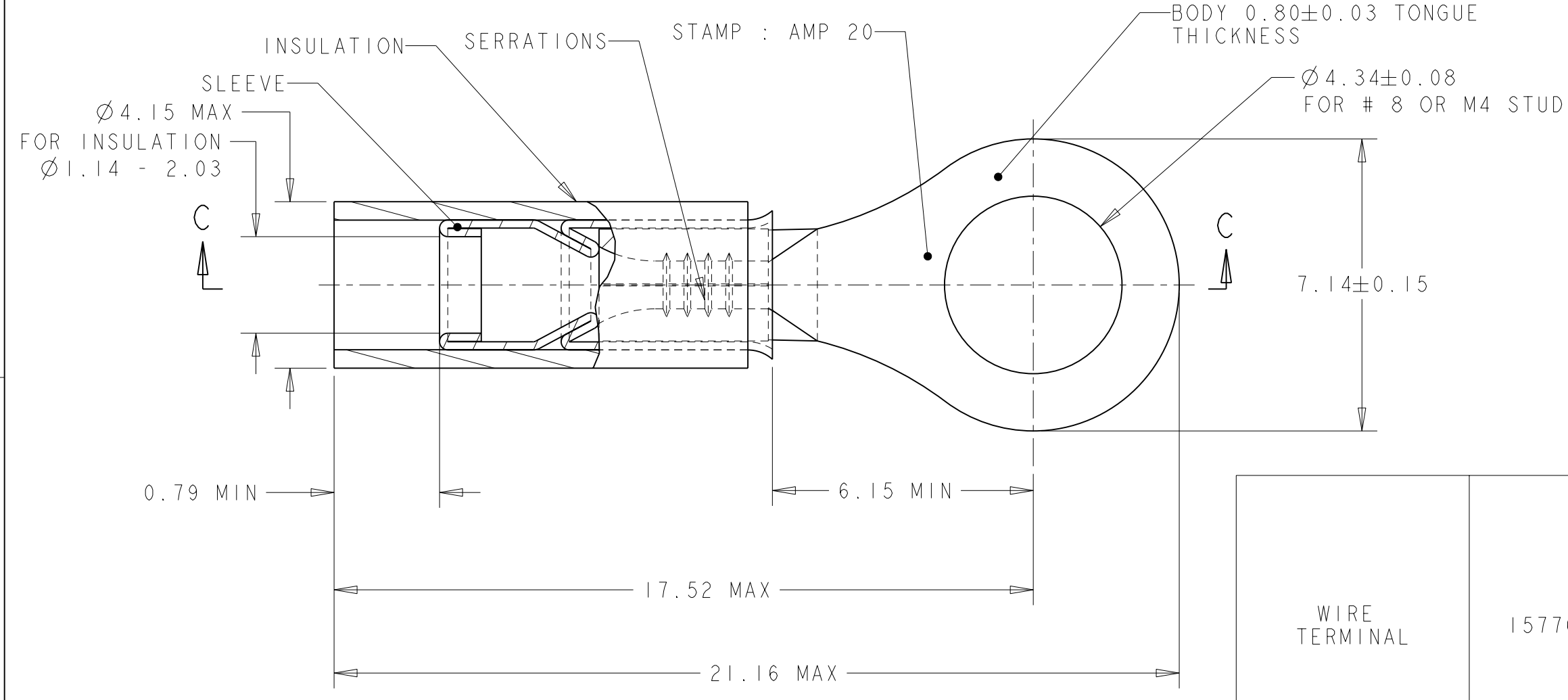
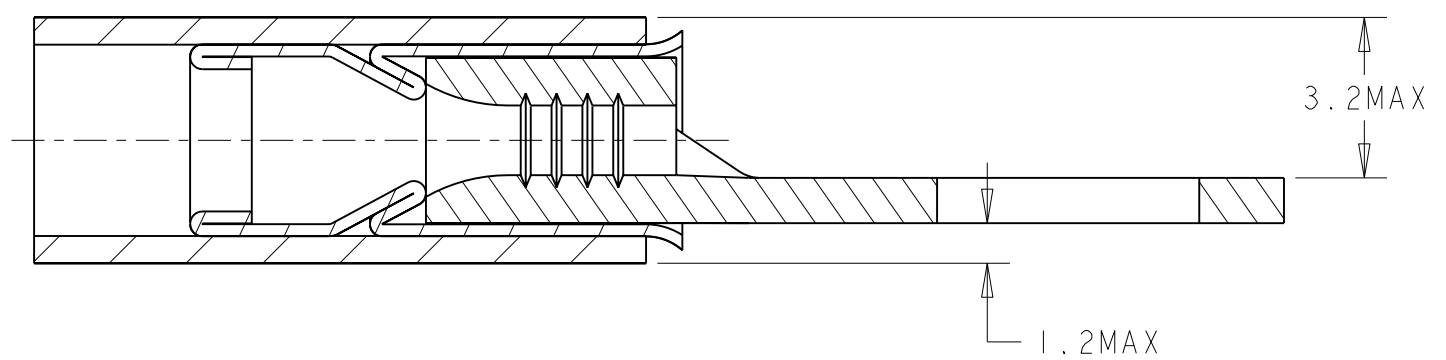
2

1

THIS DRAWING IS UNPUBLISHED. RELEASED FOR PUBLICATION 20
 © COPYRIGHT 20 BY TYCO ELECTRONICS CORPORATION. ALL RIGHTS RESERVED.

LOC	DIST	REVISIONS			
P	LTR	DESCRIPTION	DATE	DWN	APVD
F	00	B	ECR 07-025006	24OCT2007	JT GR

COUPE C-C



SCALE 3:1

WIRE TERMINAL	1577623-1	BODY : COPPER ANNEALED FINISH : NICKEL PLATED
		SLEEVE : COPPER ANNEALED FINISH : NICKEL PLATED
		INSULATION : PEEK COLOR : GREY
DESCRIPTION	PART NUMBER	MATERIAL & FINISH

THIS DRAWING IS A CONTROLLED DOCUMENT FOR TYCO ELECTRONICS CORPORATION IT IS SUBJECT TO CHANGE AND THE CONTROLLING ENGINEERING ORGANIZATION SHOULD BE CONTACTED FOR THE LATEST REVISION.

DIMENSIONS: mm	TOLERANCES UNLESS OTHERWISE SPECIFIED:
	0 PLC ±-
	1 PLC ±0.3
	2 PLC ±-
	3 PLC ±-
	4 PLC ±-
	ANGLES ±5
MATERIAL SEE TABLE	FINISH SEE TABLE

DWN JJ. DESPRETZ 02NOV2005		TYCO ELECTRONICS France SAS	
CHK G. ROBERT 02NOV2005		BP 30039, 95301 CERGY-PONTOISE Cedex	
APVD Y. PETRONIN 02NOV2005		NAME	
PRODUCT SPEC 108-15356		TERMINAL, PEEK PIDG STRATO, 20 AWG	
APPLICATION SPEC 114-15102	SIZE	CAGE CODE	DRAWING NO
WEIGHT 0,69 gr	A3	00779	1577623
CUSTOMER DRAWING	SCALE 8:1	SHEET 1	OF 1
			REV B

Mouser Electronics

Authorized Distributor

Click to View Pricing, Inventory, Delivery & Lifecycle Information:

[TE Connectivity:](#)

[1577623-1](#)