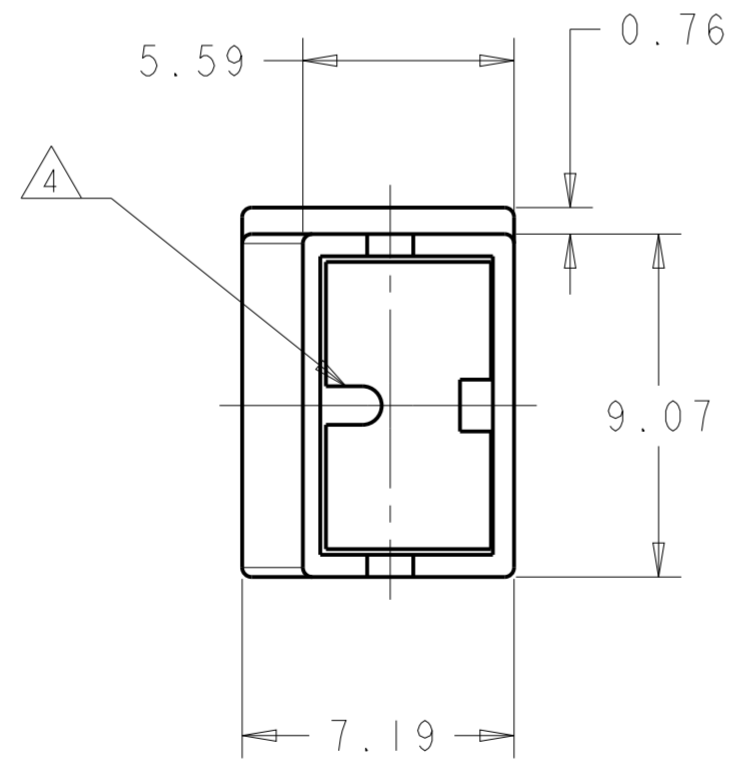
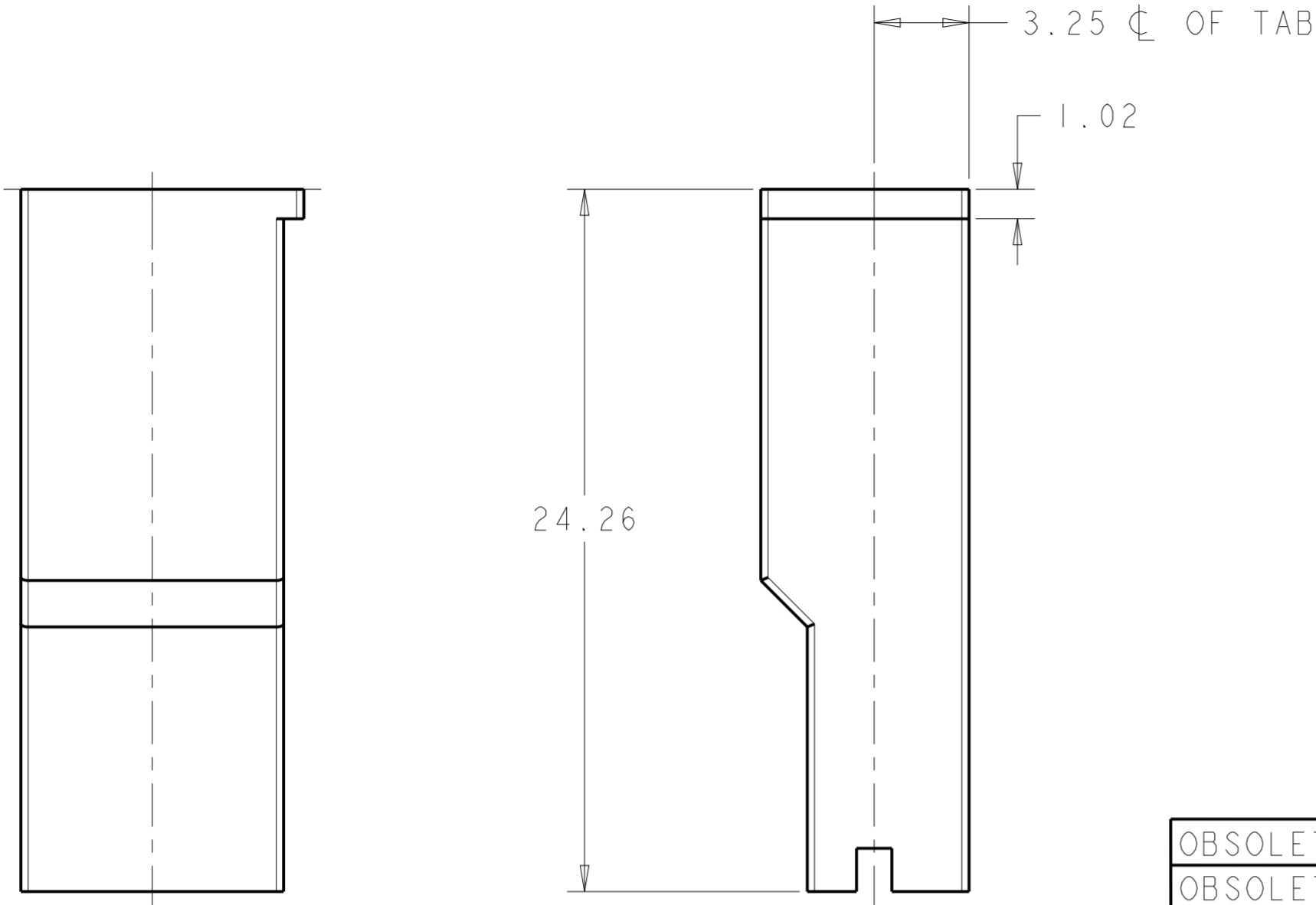


THIS DRAWING IS UNPUBLISHED. RELEASED FOR PUBLICATION 20
 © COPYRIGHT 20 y ALL RIGHTS RESERVED.

LOC	DIST	REVISIONS					
IR	-	P	LTR	DESCRIPTION	DATE	DWN	APVD
		AV5		REVISED PER ECR-16-016851	28NOV2016	HG	TD
		AV6		REVISED PER ECR-19-012306	24MAR2020	SS	DL
		AV7		REVISED PER ECR-21-101990	19APR2021	SS	EW



NOTES:

- ① PA66 NATURAL MATERIAL ACC TO SPEC IEC 60335-1 GWT 750° WITHOUT FLAME
- ② MOISTURISED PRODUCT FOR SMALL WIRE APPLICATIONS
- ③ ONLY FOR USE WITH POST PLATED OR WASHED CONTACTS
- ④ RIB IS EXTEND TO FRONT OF HOUSING FOR BRAZIL PRODUCTION
- ⑤ USING EQUIVALENT ALTERNATE MATERIAL
- ⑥ OBSOLETE PART
- 7 INTERNAL FLASH INSIDE CAVITY (THIN AND FLEXIBLE THAT DO NOT COME OFF) ACCEPTABLE UP TO 0.15 mm. EXTERNAL FLASH ACCEPTABLE UP TO 0.4 mm

Notes	Part Number	Part Revision	Flammability Rating	Material	Colour
OBSOLETE	8-154719-6		UL 94 V0	PA 66	Orange
OBSOLETE	8-154719-5		UL 94 V2	PA 6/6 or Equivalent	Natural
OBSOLETE	8-154719-4		UL 94 V0	PA 66	Natural
	8-154719-3		UL 94 V0	PA 66/6	Terracotta
OBSOLETE	8-154719-1		UL 94 V2	PA 6/6 or Equivalent	Black
	8-154719-0		UL 94 V0	PA 6/6 or Equivalent	Clear
	7-154719-0	AE	UL 94 V0	PA 66	Orange (Ral 2000)
	6-154719-6	AB	UL 94 V2	PBT	Black
	5-154719-0	AB	UL 94 V0	PPE+PS	Orange
	4-154719-0	AA	UL 94 V0	PA 66	(Bk-59 Black)
	2-154719-0	AA	UL 94 V0	PPE+PS	Red
	1-154719-1	As Drg.	UL 94 V0	PA 6/6 or Equivalent	Natural
	1-154719-0	AE	UL 94 V0	PA 6/6 or Equivalent	Natural
	154719-9	As Drg.	UL 94 V2	PA 6/6 or Equivalent	Brown
	154719-6	As Drg.	UL 94 V2	PA 6/6 or Equivalent	Blue
	154719-5	As Drg.	UL 94 V2	PA 6/6 or Equivalent	Green
	154719-4	As Drg.	UL 94 V2	PA 6/6 or Equivalent	Yellow
	154719-2	As Drg.	UL 94 V2	PA 6/6 or Equivalent	Red
	154719-1	As Drg.	UL 94 V2	PA 6/6 or Equivalent	Natural
	154719	As. Drg.	UL 94 V2	PA 6/6 or Equivalent	Black

THIS DRAWING IS A CONTROLLED DOCUMENT.

DWN: A. J. BEKEN 09MAY2002
 CHK: S. CLAPPISON 09MAY2002
 APVD: S. CLAPPISON 09MAY2002

PRODUCT SPEC: 108-3252
 APPLICATION SPEC: 114-2153
 WEIGHT: 0.5g

Customer Drawing

SCALE: 5:1 SHEET 1 OF 1 REV: AV7

STE TE Connectivity

POSITIVE LOCK RECEPTACLE INSULATOR

SIZE: A2 CAGE CODE: 00779 DRAWING NO: C-154719

Mouser Electronics

Authorized Distributor

Click to View Pricing, Inventory, Delivery & Lifecycle Information:

[TE Connectivity:](#)

[154719-1](#)